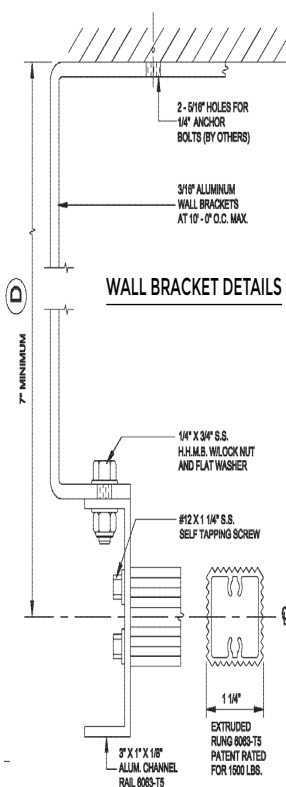
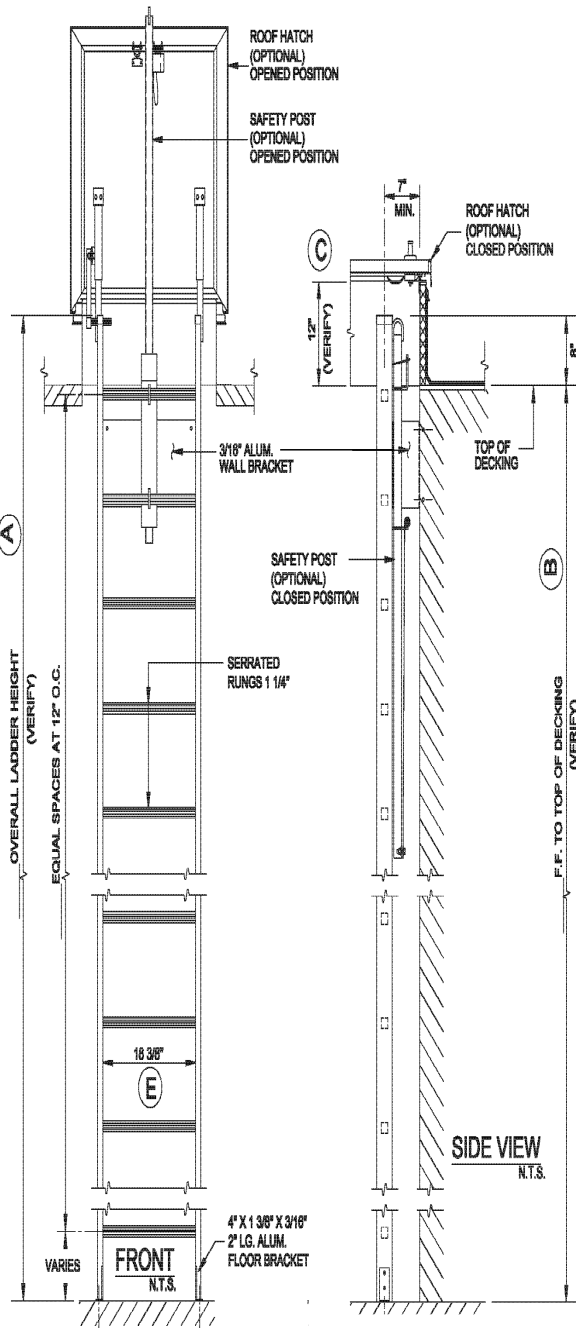


DISTRIBUTED BY

# Best MATERIALS.com

## ALUMINUM ACCESS LADDER



The mounting brackets must not be spaced more than 10ft apart. The top mounting bracket must not be located more than 2ft from the top of the ladder.

### SPECIFICATIONS:

**Rail Material:** 3" x 1" x 1/8" aluminum 6063-T5 channel extrusion.

**Rung Material:** 1 1/4" x 1 1/4" square serrated extruded aluminum 6061-T6 screwed to rail and rated to withstand 1500 pound load.

**Finish:** Mill Finish.

**Brackets:** 3/16" aluminum, wall and floor brackets included with ladders under 12 feet. Ladders 12ft - 20ft get additional wall bracket for intermediate mounting.

**Hardware:** Stainless steel fasteners, nuts and washers included.

STANDARD ORDER INFORMATION		
QTY	HEIGHT	MODEL
	8'	AL-08
	10'	AL-10
	12'	AL-12
	14'	AL-14
	16'	AL-16

Other sizes available, based on verified dimensions.

CUSTOM ORDER INFORMATION	
A	Overall Ladder Height (Ft-In)
B	FF to Top of Decking (Std A-8")
C	Roof Hatch Curb Height (Std 12")
D	Wall to CL of Rung (Std 7")
E	Ladder Width (Std 18 3/8")

### OPTIONS:

Powder Coat Finish:

Yellow

Clear Anodized Finish:

Alternate Bottom Support Bracket (AL-ABS)

Approval Signature is required.



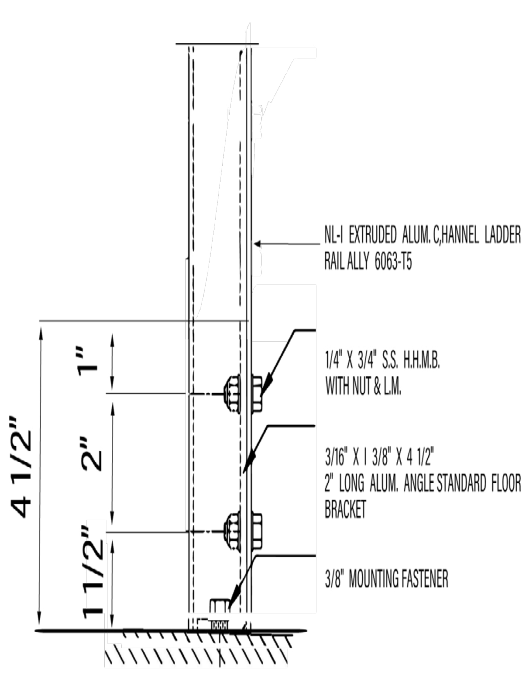
Many Locations Nationwide

Distributor:	Project:
Contractor:	Approved By:
Date:	Architect:
Scale: N/A	Pages: 1 of 2
	Item #:

© 2020 Activar Construction Products Group, Inc. THE INFORMATION CONTAINED IN THIS DRAWING IS THE SOLE PROPERTY OF ACTIVAR CONSTRUCTION PRODUCTS GROUP, INC. ANY REPRODUCTION IN PART OR AS A WHOLE WITHOUT THE WRITTEN PERMISSION OF ACTIVAR CONSTRUCTION PRODUCTS GROUP, INC. IS PROHIBITED.

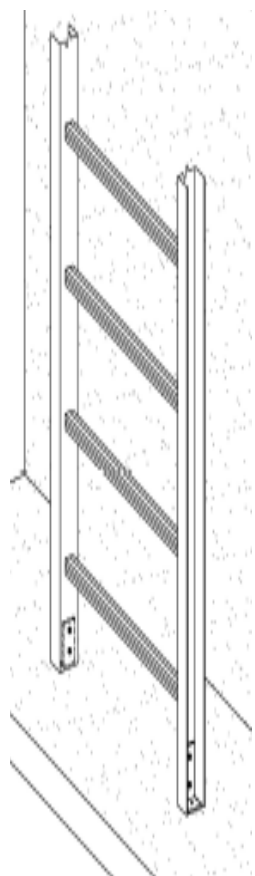
REV A - NOV - 2020

**ALUMINUM ACCESS LADDER**

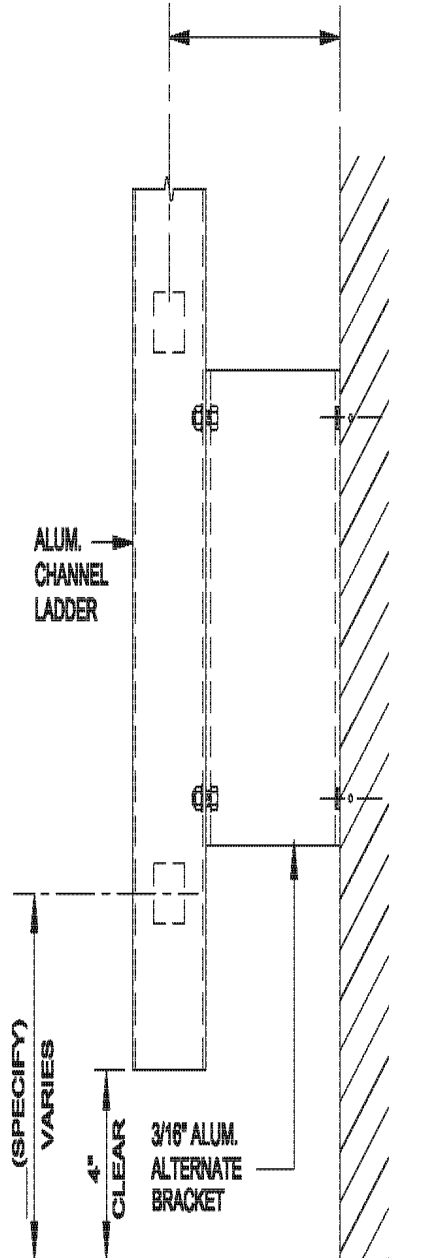


FLOOR BRACKET FRONT VIEW

3"=1'-0"

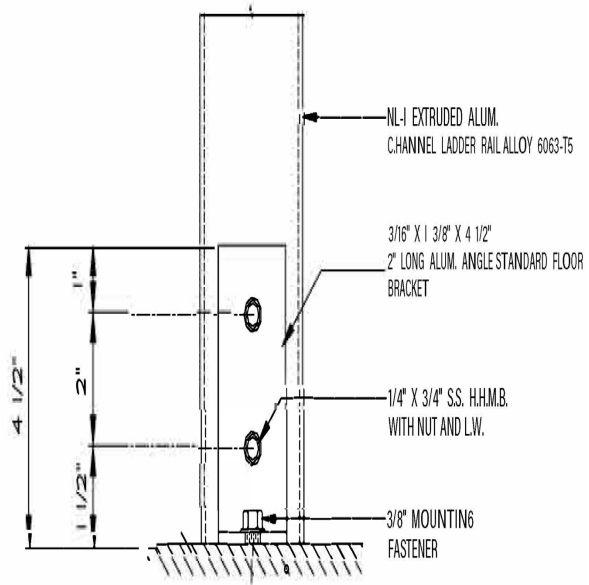


7" STANDARD (OTHER THAN 7" MAY INCUR ADDITIONAL COSTS) D



ALTERNATE OFF FLOOR SUPPORT

1 1/2" = 1' - 0"



FLOOR BRACKET SIDE VIEW

3"=1'-0"



Many Locations Nationwide

Distributor:		Project:
Contractor:		Approved By:
Date:		Architect:
Scale: N/A	Pages: 2 of 2	Item #: