



EXTERIOR ACCESS PANEL: MODEL XPA & XPS



SPECIFICATIONS: MODEL XPA

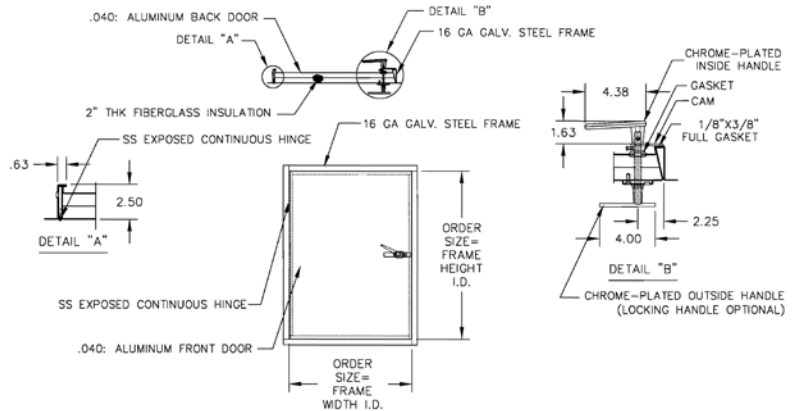
- 16 Ga. Galvanized Steel Frame
- Door: 2" Thick Insulated .040 Aluminum Door.
- Flange: 1" – 16 Ga. Galvanized Steel
- Exterior Hinge: Stainless Steel
- Gasketing: EPDM Foam Rubber Bulb Seal
- Handles: Locking and Non-Locking, Zinc Die Cast with Chrome Plating
- Handles are factory installed. Panels Are Ready For Installation.
- Finish: Powder Coat Gray Primer



SPECIFICATIONS: MODEL XPS (Stainless Steel)

- Frame: 16 Ga. Stainless Steel Frame
- Door: 2" Thick Insulated 20 Ga. Stainless Steel Door.
- Flange: 1" – 16 Ga. Stainless Steel
- Exterior Hinge: Stainless Steel
- Gasketing: EPDM Foam Rubber Bulb Seal
- Handles: Locking and Non-Locking, Zinc Die Cast with Chrome Plating
- Handles are factory installed. Panels Are Ready For Installation.
- Finish: No. 304 Stainless – No. 4 Finish.

NOTE: When ordering, ADD HL for Locking Exterior Handle and H for Non-Locking Exterior Handle to the end of the model number. (i.e. Model XPA-2424-HL for a 24" x 24" panel with a locking handle or XPA-2424-H for a non-locking handle.



NOTE: FOR SIZES 24X24 OR GREATER, USE TWO HANDLES SPACED HALF OF THE ORDER HEIGHT.

NOTES: UNLESS OTHERWISE SPECIFIED

MODELS XPA & XPS SIZES	WALL OPENING W X H	NO. OF HANDLES	APPROXIMATE SHIPPING WT. / LBS.	MODELS XPA & XPS SIZES	WALL OPENING W X H	NO. OF HANDLES	APPROXIMATE SHIPPING WT. / LBS.
12 x 12	12-3/8" x 12-3/8"	1	11	24 x 30	24-3/8" x 30-3/8"	2	40
14 x 14	14-3/8" x 14-3/8"	1	15	24 x 36	24-3/8" x 36-3/8"	2	42
18 x 18	18-3/8" x 18-3/8"	1	19	24 x 48	24-3/8" x 48-3/8"	2	57
20 x 24	20-3/8" x 24-3/8"	1	30	30 x 30	30-3/8" x 30-3/8"	2	44
20 x 30	20-3/8" x 30-3/8"	1	32	30 x 36	30-3/8" x 36-3/8"	2	56
22 x 30	22-3/8" x 30-3/8"	1	34	36 x 36	36-3/8" x 36-3/8"	2	61
22 x 36	22-3/8" x 36-3/8"	1	40	36 x 48	36-3/8" x 48-3/8"	2	75
24 x 24	24-3/8" x 24-3/8"	2	27	48 x 48	48-3/8" x 48-3/8"	4	108

Email: Sales@bestmaterials.com for more information or a quote.



EXTERIOR ACCESS PANEL: MODEL XPA-PWE & XPS-PWE



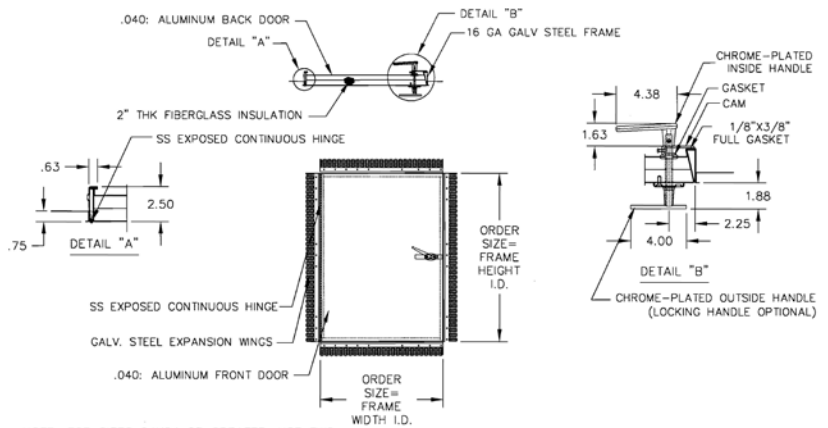
SPECIFICATIONS: MODEL XPA-PWE

- 16 Ga. Galvanized Steel Frame with Galvanized Steel Lath Wing
- Door: 2" Thick Insulated .040 Aluminum Door.
- Exterior Hinge: Stainless Steel
- Gasketing: EPDM Foam Rubber Bulb Seal
- Handles: Locking and Non-Locking, Zinc Die Cast with Chrome Plating
- Handles are factory installed. Panels Are Ready For Installation.
- Finish: Powder Coat Gray Primer

SPECIFICATIONS: MODEL XPS-PWE (Stainless Steel)

- Frame: 16 Ga. Stainless Steel Frame with Galvanized Steel Lath Wing
- Door: 2" Thick Insulated 20 Ga. Stainless Steel Door.
- Exterior Hinge: Stainless Steel
- Gasketing: EPDM Foam Rubber Bulb Seal
- Handles: Locking and Non-Locking, Zinc Die Cast with Chrome Plating
- Handles are factory installed. Panels Are Ready For Installation.
- Finish: No. 304 Stainless – No. 4 Finish.

NOTE: When Ordering, ADD HL for Locking Exterior Handle and H for Non-Locking Exterior Handle to the end of the model number. (i.e. Model XPA-2424-HL for a 24" x 24" panel with a locking handle or XPA-2424-H for a non-locking handle.



NOTE: FOR SIZES 24X24 OR GREATER, USE TWO HANDLES SPACED HALF OF THE ORDER HEIGHT.

NOTES: UNLESS OTHERWISE SPECIFIED

MODELS XPA-PWE XPS-PWE SIZES	WALL OPENING W X H	NO. OF HANDLES	APPROXIMATE SHIPPING WT. / LBS.	MODELS XPA-PWE XPS-PWE SIZES	WALL OPENING W X H	NO. OF HANDLES	APPROXIMATE SHIPPING WT. / LBS.
12 x 12	12-3/8" x 12-3/8"	1	11	24 x 30	24-3/8" x 30-3/8"	2	40
14 x 14	14-3/8" x 14-3/8"	1	15	24 x 36	24-3/8" x 36-3/8"	2	42
18 x 18	18-3/8" x 18-3/8"	1	19	24 x 48	24-3/8" x 48-3/8"	2	57
20 x 24	20-3/8" x 24-3/8"	1	30	30 x 30	30-3/8" x 30-3/8"	2	44
20 x 30	20-3/8" x 30-3/8"	1	32	30 x 36	30-3/8" x 36-3/8"	2	56
22 x 30	22-3/8" x 30-3/8"	1	34	36 x 36	36-3/8" x 36-3/8"	2	61
22 x 36	22-3/8" x 36-3/8"	1	40	36 x 48	36-3/8" x 48-3/8"	2	75
24 x 24	24-3/8" x 24-3/8"	2	27	48 x 48	48-3/8" x 48-3/8"	4	108