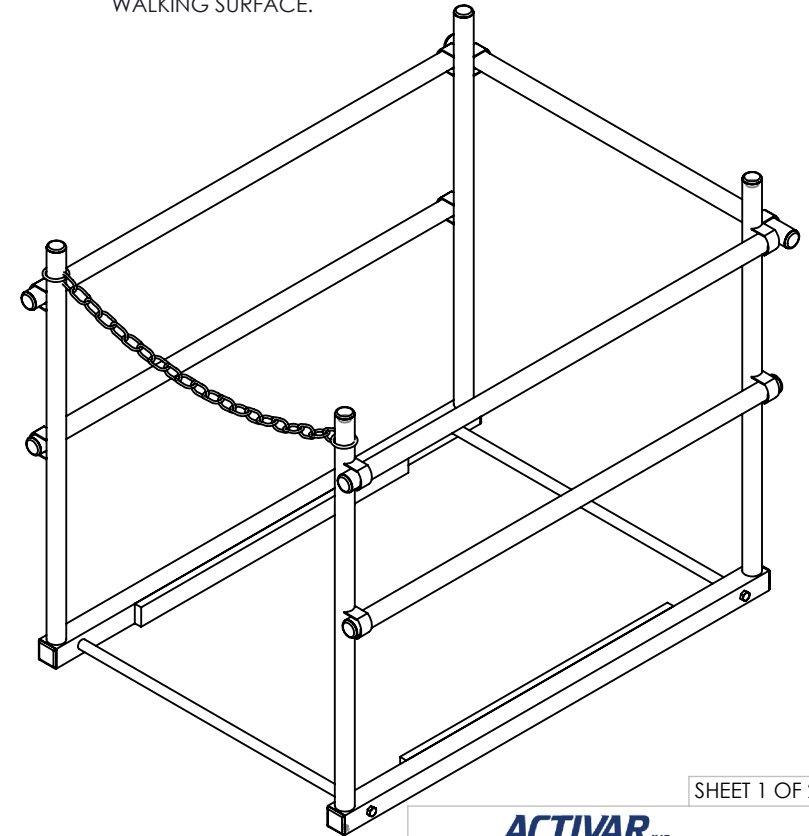
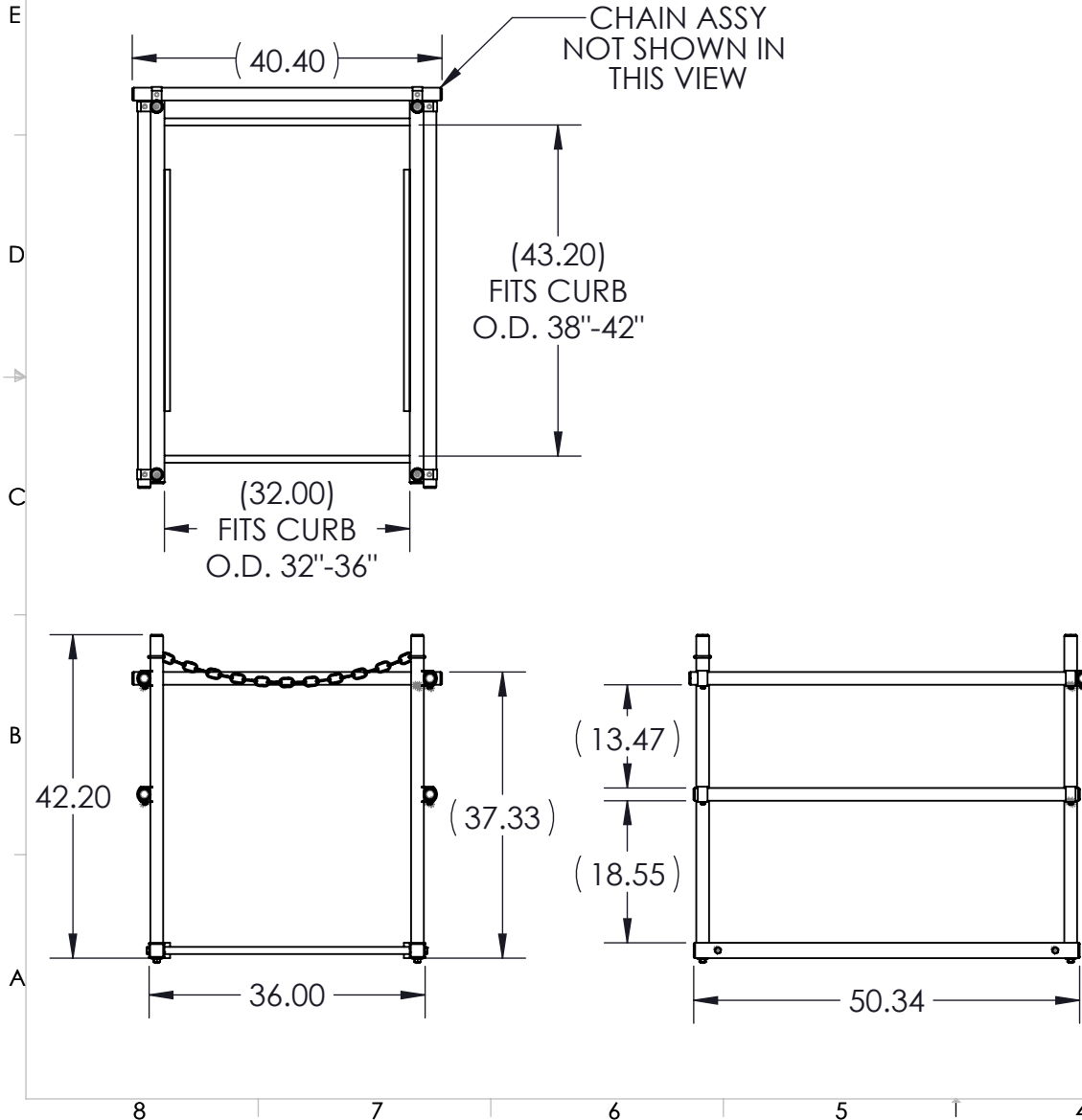


CUSTOMER:	
PROJECT:	
LOCATION:	
CONTRACTOR:	
SO#	
APPROVAL SIGN/DATE:	

REVISIONS					
REV	ECO	DESCRIPTION	REV. DATE	REV. BY	REV. CHECKED BY
A		NEW RELEASE			

**SPECIFICATIONS**  
 MATERIAL: 1.66" DIAMETER TUBING, GALVANIZED STEEL  
 MOUNT: 2" X 2" SQUARE TUBE GALVANIZED STEEL, 16GA WITH 3/4"  
 STYROFOAM COMPRESSION PADS  
 FINISH: YELLOW POWDER COAT  
 HARDWARE: 1/2"-13 X 3/4" HEX HEAD SET SCREWS FOR RAIL ATTACHMENTS  
 AND 1/2"-13 X 4" HEX HEAD SCREW FOR CROSS BARS.  
 CHAIN: ZINC PLATED 3/8" ASTM PROOF COIL WITH HOOP RINGS.  
 CAPS: PLASTIC INSERTS, BLACK

**NOTES**  
 COMPLIANCE TO OSHA 1910.23 GUARDING FOR OPENINGS.  
 FITS ROOF HATCH CURB INSIDE DIMENSIONS (I.D.) 30" X 36" WITH  
 OUTSIDE DIMENSIONS (O.D.) 32" X 38" AND ADJUSTS UP TO 4" TO  
 ACCOMMODATE LARGER SIZES.  
 INSTALL ON ROOF HATCH CURB SO TOP RAIL IS 42" ABOVE THE  
 WALKING SURFACE.



SHEET 1 OF 2

**ACTIVAR INC.**  
 CONSTRUCTION PRODUCTS GROUP



CREATED	NAME	DATE
JHL		09/08/2016
PB		9/8/2016

TITLE: RTA SH SERIES 38" X 44" SAFETY RAIL W/CLAMP

DO NOT SCALE DRAWING  
 PROPRIETARY AND CONFIDENTIAL  
 THE INFORMATION CONTAINED IN THIS DRAWING IS THE SOLE PROPERTY OF ACTIVAR INC.  
 ANY REPRODUCTION IN PART OR AS A WHOLE WITHOUT THE WRITTEN PERMISSION OF ACTIVAR INC. IS PROHIBITED.

DWG. NO.

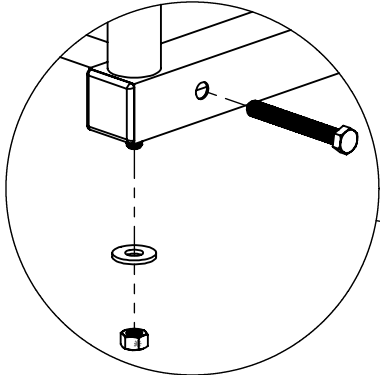
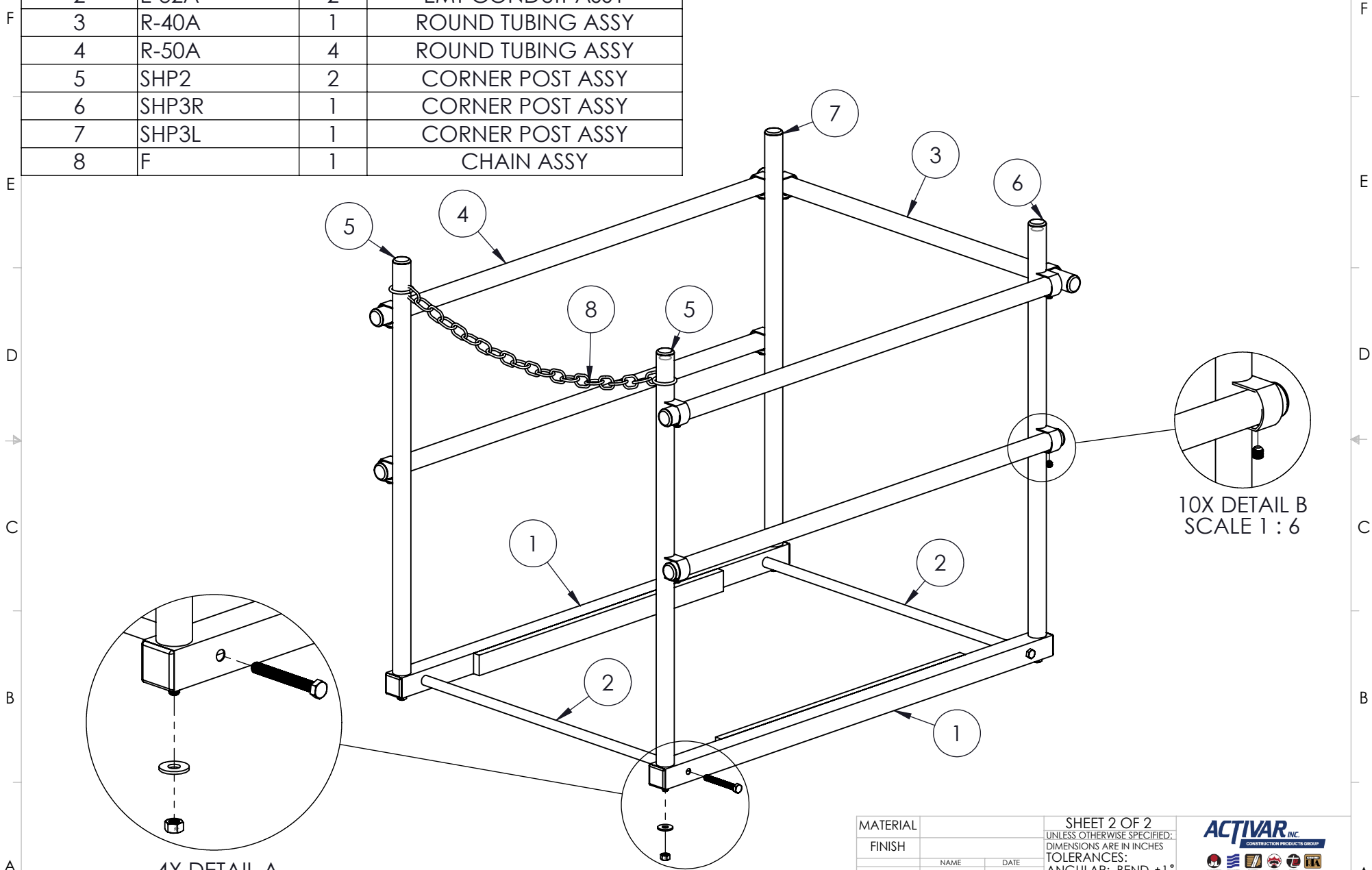
SHWC-3036



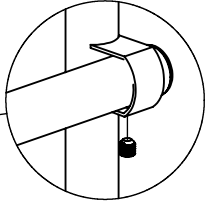
SCALE: 1:16 WEIGHT:

ITEM NO.	PART NUMBER	QTY.	DESCRIPTION
1	A-50A	2	SQUARE TUBING ASSY
2	E-32A	2	EMT CONDUIT ASSY
3	R-40A	1	ROUND TUBING ASSY
4	R-50A	4	ROUND TUBING ASSY
5	SHP2	2	CORNER POST ASSY
6	SHP3R	1	CORNER POST ASSY
7	SHP3L	1	CORNER POST ASSY
8	F	1	CHAIN ASSY

REVISIONS					
REV	ECO	DESCRIPTION	REV. DATE	REV. BY	REV. CHECKED BY
A		NEW RELEASE			



4X DETAIL A  
SCALE 1 : 6



10X DETAIL B  
SCALE 1 : 6

NOTES: [Dist. by: BEST MATERIALS® | Ph: 800-474-7570 | www.BestMaterials.com](http://www.BestMaterials.com)

MATERIAL		SHEET 2 OF 2			
FINISH		UNLESS OTHERWISE SPECIFIED: DIMENSIONS ARE IN INCHES			
CREATED	NAME	DATE	TOLERANCES:	TITLE: RTA SH SERIES 38" X 44" SAFETY RAIL W/CLAMP	
CHECKED	JHL	09/08/2016	ANGULAR: BEND $\pm 1^\circ$		
	PB	9/8/2016	.XX $\pm .020$ .XXX $\pm .015$ HOLES $\pm .005$		
PROPRIETARY AND CONFIDENTIAL! DO NOT SCALE DRAWING <small>THE INFORMATION CONTAINED IN THIS DRAWING IS THE SOLE PROPERTY OF ACTIVAR INC. ANY REPRODUCTION IN PART OR AS A WHOLE WITHOUT THE WRITTEN PERMISSION OF ACTIVAR INC IS PROHIBITED.</small>				INTERPRET GEOMETRIC TOLERANCING PER: ASME Y 14.5 M-1994 SCALE: 1:12	SIZE DWG. NO. A SHWC-3036



SCALE: 1:12