

**ROOF DRAINS**

**22010 SERIES**

**MEDIUM SUMP, Beehive Dome**

**APPLICATION**

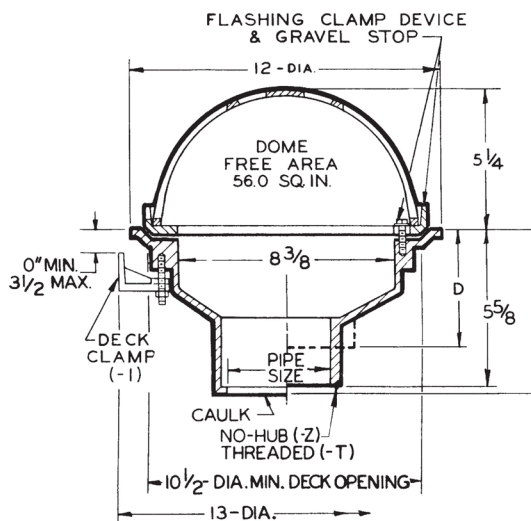
Used on mid-sized roofs of any construction where a medium-sized drain is required. Flashing clamp holds the membrane or flashing securely to the drain body. Medium-sized beehive dome provides ample drainage for smaller roof decks and intercepts debris.

**SPECIFICATION**

JOSAM 22010 Series coated cast iron Roof Drain, medium beehive dome, non-puncturing clamp ring with integral gravel stop and medium sump with roof flange and bottom outlet.

**Available Options**

- 1 Deck Clamp Assembly
  - 1C Drain Receiver Clips (Min. Deck Opening 13.75" Dia.)
  - 2 Drain Receiver
  - 3 Deck Clamp Assembly and Drain Receiver
  - 3C Drain Receiver and Drain Receiver Clips
  - 10 Fixed Ext. Collar, Cast Iron, (Specify Hgt) 1" Std.
  - 10-20 Fixed Ext. Collar, Galvanized, (Specify Hgt) 1" Std.
  - 17 2" High Solid Clamping Collar
  - 19 Clamp Collar w/Perforated SS Gravel Guard
  - 20 Galvanized Cast Iron Parts
  - 21 Galvanized Cast Iron Dome Only
  - 23 Rough Bronze Dome
  - VP Vandal-Proof Dome
- OUTLETS:**
- 66 No-Hub Side Outlet
  - T Threaded Outlet
  - X Inside Caulk Outlet
  - Z No-Hub Spigot Outlet



FOR OUTLET TYPE SPECIFY -T, -X or -Z

TYPE NO.	PIPE SIZE	D	E	LBS.
22012	2	4-3/4	6-1/4	30
22013	3	4-3/4	6-1/4	30
22014	4	4-1/2	6-1/4	30
22015	5	4-3/8	6	30
22016	6	4	5-3/4	30

**22080 SERIES**

**SMALL SUMP, High Dome**

**APPLICATION**

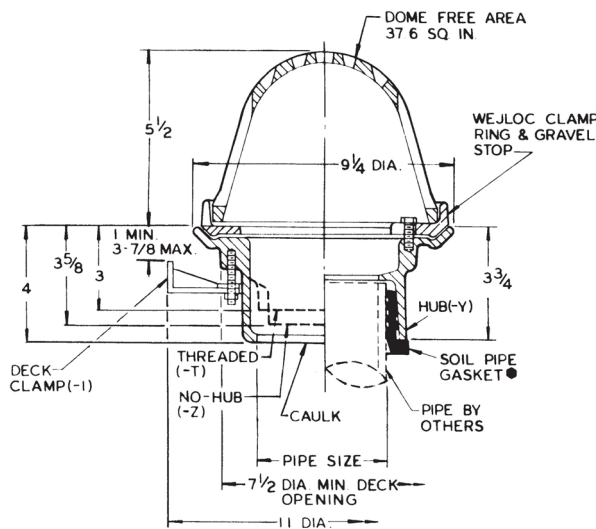
Used on smaller roofs, gutters or valleys of any construction. Small diameter pan is particularly adaptable to gutters and valleys where limited space is available. WEJLOC® compression flashing clamp holds the membrane or flashing to the drain body. Small beehive dome provides ample drainage for small roof decks, gutters and valleys, and intercepts debris.

**SPECIFICATION**

JOSAM 22080 Series coated cast iron Roof Drain with beehive dome, WEJLOC® non-puncturing clamp ring with integral gravel stop and small sump with roof flange and bottom outlet.

**Available Options**

- 1 Deck Clamp Assembly
  - 1C Drain Receiver Clips (Min. Deck Opening 10.75" Dia.)
  - 2 Drain Receiver
  - 3 Deck Clamp Assembly and Drain Receiver
  - 3C Drain Receiver and Drain Receiver Clips
  - 10 Fixed Extension Collar, Cast Iron, (Specify Hgt) 1" Std.
  - 10-20 Fixed Ext. Collar, Galv., (Specify Hgt) 1" Std.
  - 17 2" High Solid Clamping Collar
  - 20 Galvanized Cast Iron Parts
  - 21 Galvanized Cast Iron Dome Only
  - 23 Rough Bronze Dome
  - VP Vandal-Proof Dome
- OUTLETS:**
- \* -TSO Threaded Side Outlet
  - T Threaded Outlet
  - X Inside Caulk Outlet
  - Y Hub Outlet w/Gasket
  - Z No-Hub Spigot Outlet



● CONFORMS WITH ASTM-C564.

FOR OUTLET TYPE SPECIFY -T, -X, -Y or -Z

TYPE NO.	PIPE SIZE	LBS.
22082	2	13
22083	3	13
22084	4	13

\* Standard Drain Receiver cannot be used with -TSO option. Contact Factory. Deck Clamp cannot be used with -TSO option in 4" size.

ROOF DRAINS