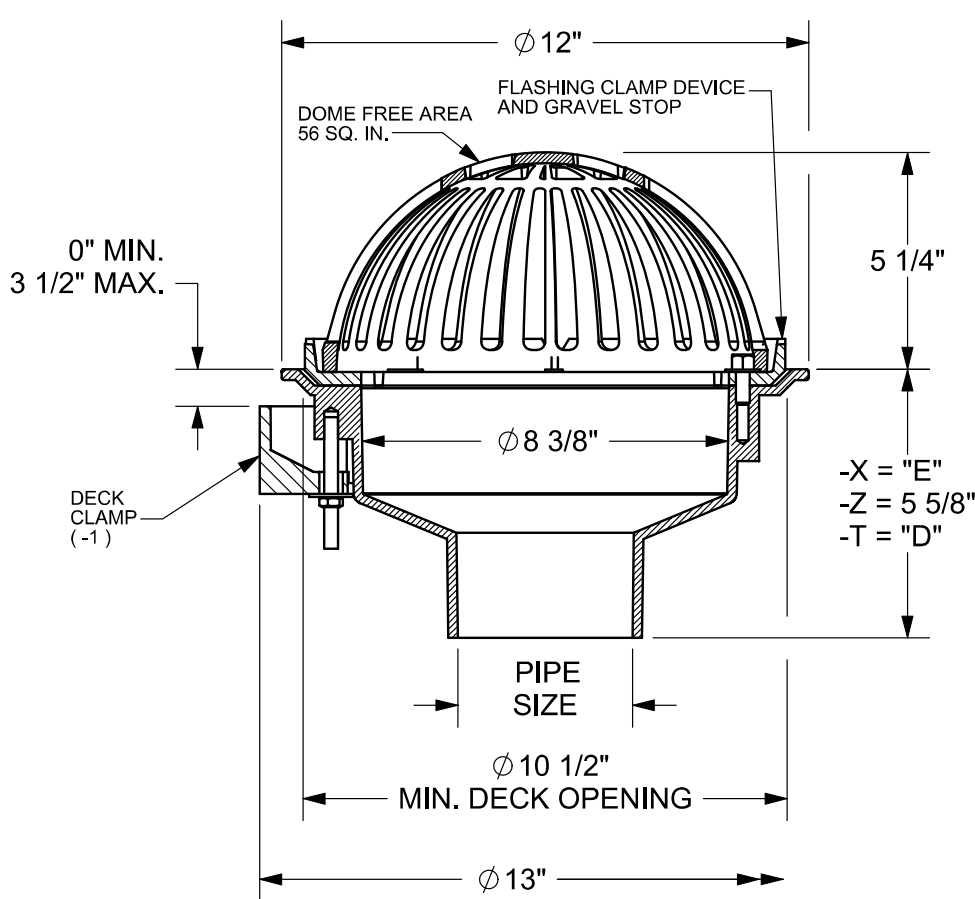


SPECIFICATION:

JOSAM 22010 SERIES COATED CAST IRON ROOF DRAIN, MEDIUM BEEHIVE DOME, NON-PUNCTURING CLAMP RING WITH INTEGRAL GRAVEL STOP, MEDIUM SUMP WITH ROOF FLANGHE AND BOTTOM OUTLET.

For more information
Or to buy this product
Click here



PIPE SIZE	"D" DIM.	"E" DIM.
2"	4 3/4"	6 1/4"
3"	4 3/4"	6 1/4"
4"	4 1/2"	6 1/4"
5"	4 3/8"	6"
6"	4"	5 3/4"

▼ SEPARATE SUBMITTAL FOR THIS OPTION AVAILABLE

** -10 EXTENSION 1" STANDARD

	2"	PIPE SIZE			-10	FIXED EXT. COLLAR, CAST IRON (SPECIFY HEIGHT **)
	3"	PIPE SIZE			-10-20	FIXED EXT. COLLAR, GALVANIZED (SPECIFY HEIGHT **)
	4"	PIPE SIZE			-17	2" HIGH SOLID CLAMPING COLLAR
	5"	PIPE SIZE		▼	-19	CLAMP COLLAR W/PERF. STAINLESS GRAVEL GUARD
	6"	PIPE SIZE			-20	GALVANIZED CAST IRON PARTS
					-23	ROUGH BRONZE DOME
	-X	INSIDE CAULK OUTLET			-66	NO-HUB SIDE OUTLET (2" THRU 6" OUTLETS ONLY)
	-Z	NO-HUB SPIGOT OUTLET				
	-T	THREADED OUTLET			-VP	VANDAL-PROOF DOME
	-1	DECK CLAMP ASSEMBLY				
	-1C	DRAIN RECEIVER CLIPS (MIN. DECK OPENING ϕ 16.5")				
	-2	DRAIN RECEIVER				
	-3	DECK CLAMP ASY. AND DRAIN RECEIVER				
	-3C	DRAIN RECEIVER AND DRAIN RECEIVER CLIPS				

DATE OF LAST CHANGE: 01/31/11

DIMENSIONS ARE SUBJECT TO MANUFACTURERS TOLERANCES AND CHANGE WITHOUT NOTICE. WE CAN ASSUME NO RESPONSIBILITY FOR USE OF SUPERSEDED OR VOID DATA.

JOSAM COMPANY
MICHIGAN CITY, INDIANA

NOTES