

Distributed by: **BEST MATERIALS @ LLC**  
 Ph: 800-474-7570, 602-272-8128 Fax: 602-272-8014  
 www.BestMaterials.com Email: Sales@BestMaterials.com

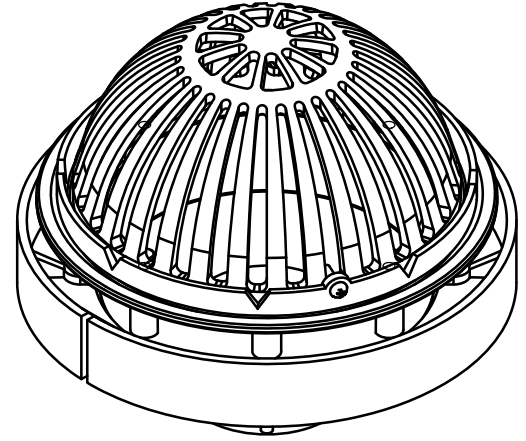
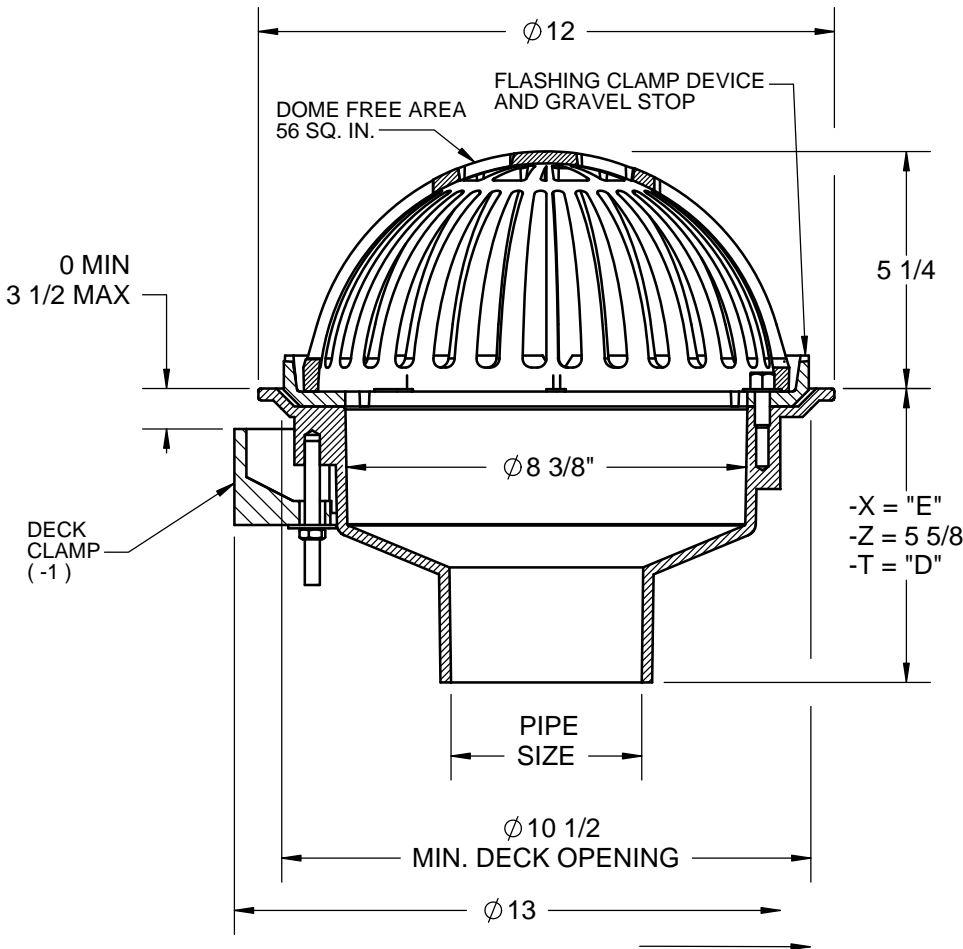
# ROOF DRAIN

## MEDIUM SUMP, BEEHIVE DOME

### SPECIFICATION:

JOSAM 22010 SERIES COATED CAST IRON ROOF DRAIN, MEDIUM BEEHIVE DOME, NON-PUNCTURING CLAMP RING WITH INTEGRAL GRAVEL STOP, MEDIUM SUMP WITH ROOF FLANGHE AND BOTTOM OUTLET.

SERIES **22010**



	PIPE SIZE	"D" DIM.	"E" DIM.
	2"	4 3/4"	6 1/4"
	3"	4 3/4"	6 1/4"
	4"	4 1/2"	6 1/4"
	5"	4 3/8"	6"
	6"	4"	5 3/4"

▼ SEPARATE SUBMITTAL FOR THIS OPTION AVAILABLE

\*\* -10 EXTENSION 1" STANDARD

	2"	PIPE SIZE		-10	FIXED EXT. COLLAR, CAST IRON ( SPECIFY HEIGHT ** )
	3"	PIPE SIZE		-10-20	FIXED EXT. COLLAR, GALVANIZED ( SPECIFY HEIGHT ** )
	4"	PIPE SIZE	▼	-17	2" HIGH SOLID CLAMPING COLLAR
	5"	PIPE SIZE	▼	-19	CLAMP COLLAR W/PERF. STAINLESS GRAVEL GUARD
	6"	PIPE SIZE		-20	GALVANIZED CAST IRON PARTS
				-23	ROUGH BRONZE DOME
	-X	INSIDE CAULK OUTLET		-66	NO-HUB SIDE OUTLET ( 2" THRU 6" OUTLETS ONLY )
	-Z	NO-HUB SPIGOT OUTLET			
	-T	THREADED OUTLET		-VP	VANDAL-PROOF DOME
	-1	DECK CLAMP ASSEMBLY			
	-1C	DRAIN RECEIVER CLIPS ( MIN. DECK OPENING $\phi$ 16.5" )			
	-2	DRAIN RECEIVER			
	-3	DECK CLAMP ASY. AND DRAIN RECEIVER			
	-3C	DRAIN RECEIVER AND DRAIN RECEIVER CLIPS			

DATE OF LAST CHANGE: 5/04/15

DIMENSIONS ARE SUBJECT TO MANUFACTURERS TOLERANCES AND CHANGE WITHOUT NOTICE. WE CAN ASSUME NO RESPONSIBILITY FOR USE OF SUPERSEDED OR VOID DATA.

**JOSAM COMPANY**  
 MICHIGAN CITY, INDIANA

NOTES