

SPECIFICATION:

JOSAM 30000-A-SS-T SERIES TYPE 316 CAST STAINLESS STEEL FLOOR DRAIN, TWO-PIECE BODY WITH DOUBLE DRAINAGE FLANGE, WEJLOC® INVERTIBLE FLASHING COLLAR, WEEPHOLES, BOTTOM THREADED OUTLET CONNECTION AND ADJUSTABLE ROUND SUPER-FLO® STRAINER. STANDARD STRAINER IS TYPE 304 SS.

**STAINLESS STEEL
ADJUSTABLE FLOOR DRAIN**

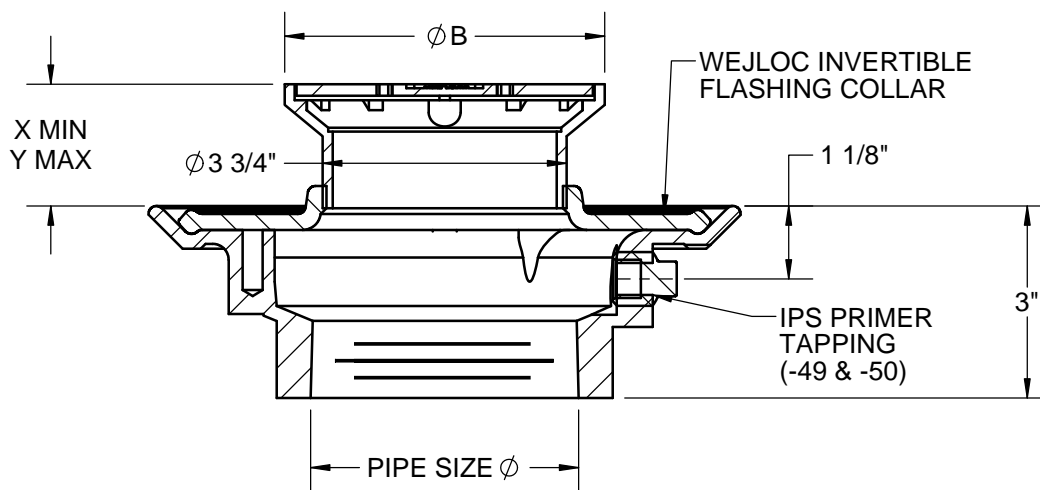
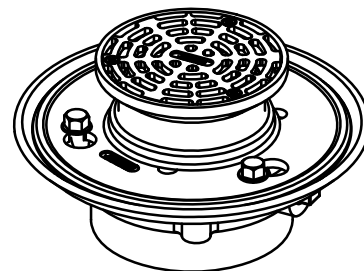
SERIES **30000-A-SS-T**

SLOT WIDTH 1/4"

FORMERLY 54200 SERIES

ADJUSTABLE
SUPER-FLO
STRAINER

Ø 9 1/4"



STAINER	B	X	Y	FREE AREA (SQ. IN.)
-5A-SS	5	3/4"	2-1/8"	7.8
-6A-SS	6	1-1/4"	2-3/8"	11.0
-7A-SS	7	1-1/8"	2-7/8"	13.2
-8A-SS	8	1-5/8"	2-5/8"	16.2

PIPE SIZE
2"
3"
4"

-VP	SECURED GRATE, VANDAL-PROOF SCREWS
-49	3/4" PRIMER TAP
-50	1/2" PRIMER TAP
-80	PERFORATED STAINLESS STEEL BASKET
-316	TYPE 316 SS STRAINER (-6A ONLY)

Dist. by: [BEST MATERIALS®](http://BESTMATERIALS.com) | Ph: 800-474-7570 | www.BestMaterials.com | Email: Sales@BestMaterials.com

DATE OF LAST CHANGE: 03/01/16

DIMENSIONS ARE SUBJECT TO MANUFACTURERS TOLERANCES AND CHANGE WITHOUT NOTICE. WE CAN ASSUME NO RESPONSIBILITY FOR USE OF SUPERSEDED OR VOID DATA.

JOSAM COMPANY
MICHIGAN CITY, INDIANA

NOTES