



PLASTIC SIDE-OUTLET ROOF DRAIN Specification Sheet



| PART NO. | DESCRIPTION | A |
|----------|---|-------|
| T-0050 | 2" ABS-Roof & Balcony Drain Side Outlet | 2.395 |
| T-0052 | 3" ABS-Roof & Balcony Drain Side Outlet | 3.525 |
| T-0054 | 4" ABS-Roof & Balcony Drain Side Outlet | 4.525 |

MATERIAL FEATURES

The Tech Specialties Side Outlet Roof and Balcony Drain is a combination roof drain and flashing all in one unit. It is designed for all flat roof installations and can be installed in a low ceiling joist bay. The expansion coupling holds the drain pipe to the Side Outlet Drain with stainless steel bands, allowing expansion and contraction of the piping system.

ADDITIONAL DESIGN FEATURES

- Available in ABS plastic
- High Impact Compounds provide a tough, durable product able to withstand construction site handling.
- ABS plastic material provides entire drains with resistance to corrosion.
- Lightweight - ease of installation
- UV inhibitors added

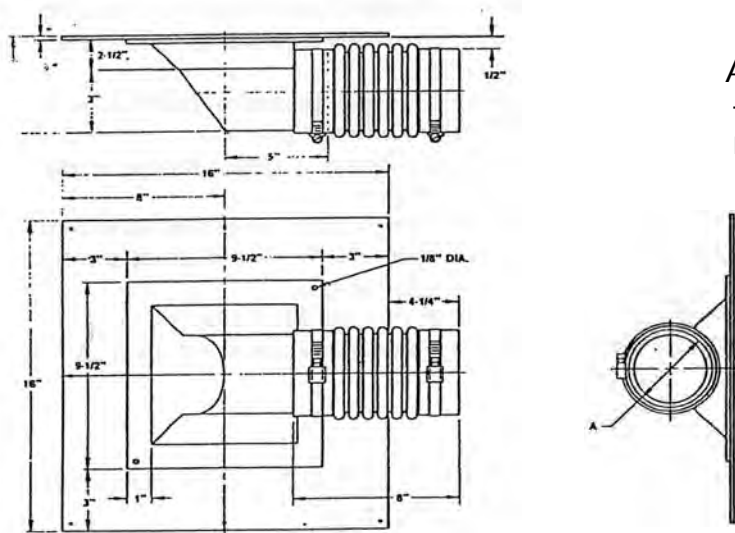
ACCEPTANCES/LISTINGS

These products have been accepted and/or reviewed by:
I.A.P.M.O. File No. 1252, S.B.C.C.I. Report No. 9831A

SPECIFICATION

Furnish and install a combination Side Outlet Roof and Balcony Drain with flashing area as one unit complete with expansion coupling, made of high impact plastic manufactured by Tech Specialties or approved equal.

NOTE: ABS Roof and Balcony Drain Side Outlets are to be used with B.U.R. application.



3689 Arrowhead Drive, Carson City, NV 89706

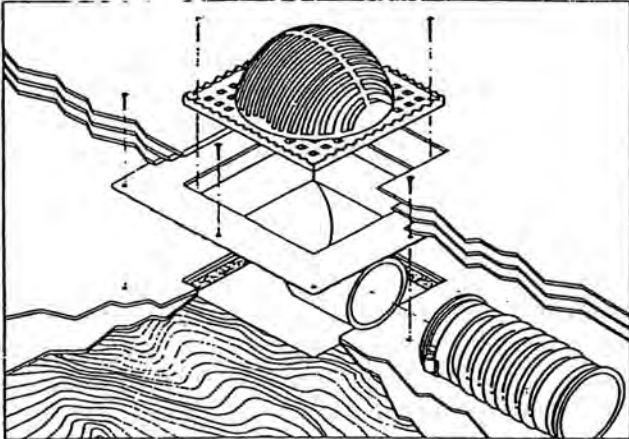
Content matter is subject to change at any time. It is the user's responsibility to ensure the most updated revisions are obtained.

TS/S-2002 (6-05) Rev 2

| Product Submittal | |
|-------------------|----------|
| Job Name | |
| Date | |
| Part Number | Quantity |
| | |
| | |
| | |
| Architect | |
| Contractor | |
| | |

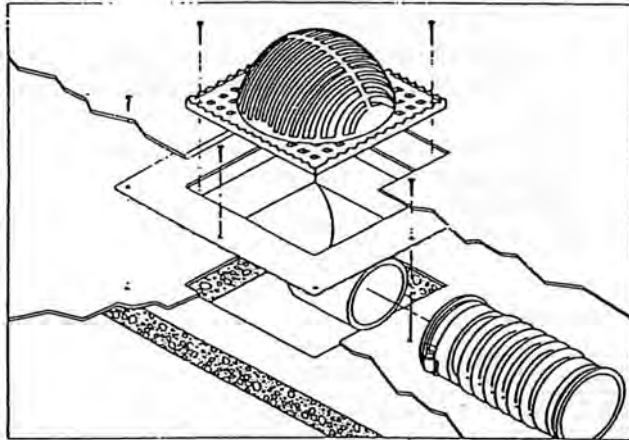


**PLASTIC SIDE-OUTLET
ROOF DRAIN
Specification Sheet**



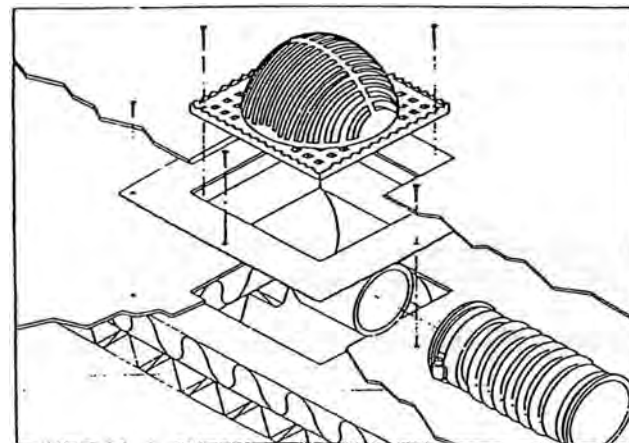
FLASHING DETAIL FOR BUILD-UP ROOF SYSTEMS

1. Mechanically attach 2 plies of roofing ply sheet embedded in hot asphalt to substrate, ensure the plies extend 18" past underlying portion of drain flange.
2. On under portion of drain flange embed 1/3" roofing mastic.
3. Securely fasten drain flange to substrate using appropriate fasteners.
4. For best results, clean drain flange with damp cloth. It is not necessary to use asphalt primer.
5. Begin B.U.R. system embedding alternate layers of roofing ply sheet down into sump and over flange. Note: Ensure asphalt is at temperature between 430°F and 475°F.
6. Secure grate in place with provided hardware.
7. Complete roof system with specified surfacing as required



FLASHING DETAIL FOR MODIFIED SINGLE-PLY ROOF SYSTEMS

1. Place reversed sheet of modified over drain hole opening on substrate to ensure that ply sheet extends 18" past underling portion of drain flange.
2. Place drain on hot modified ply and secure drain flange to roof substrate using appropriate fasteners.
3. Ensure top portion of drain flange is clean of dust or any foreign substance such as primer.
4. Back burn modified ply sheet, begin roof system and start down into sump and over flange. Note: Avoid direct contact with heat torch to drain or body flange.
5. Secure grate in place with provided hardware.
6. Complete modified system with specified surfacing as required.



FLASHING DETAIL FOR E.P.D.M. OR RUBBER SINGLE-PLY ROOF SYSTEMS

1. Place single-ply sheet over drain hole opening on substrate; ensure that ply sheet extends 18" past underlying portion of receiving drain flange.
2. On under portion of drain flange embed 1/3" of specified adhesive.
3. Securely fasten drain flange to substrate using appropriate fasteners.
4. Embed single-ply sheet in specified adhesive down into sump and over top portion of flange.
5. Secure grate in place with provided hardware.
6. Complete single-ply system with specified surfacing as required.



3689 Arrowhead Drive, Carson City, NV 89706

Content matter is subject to change at any time. It is the user's responsibility to ensure the most updated revisions are obtained.

TS/S-2002 (6-05) Rev 2

| Product Submittal | |
|-------------------|----------|
| Job Name | |
| Date | |
| Part Number | Quantity |
| | |
| | |
| | |
| Architect | |
| Contractor | |
| | |