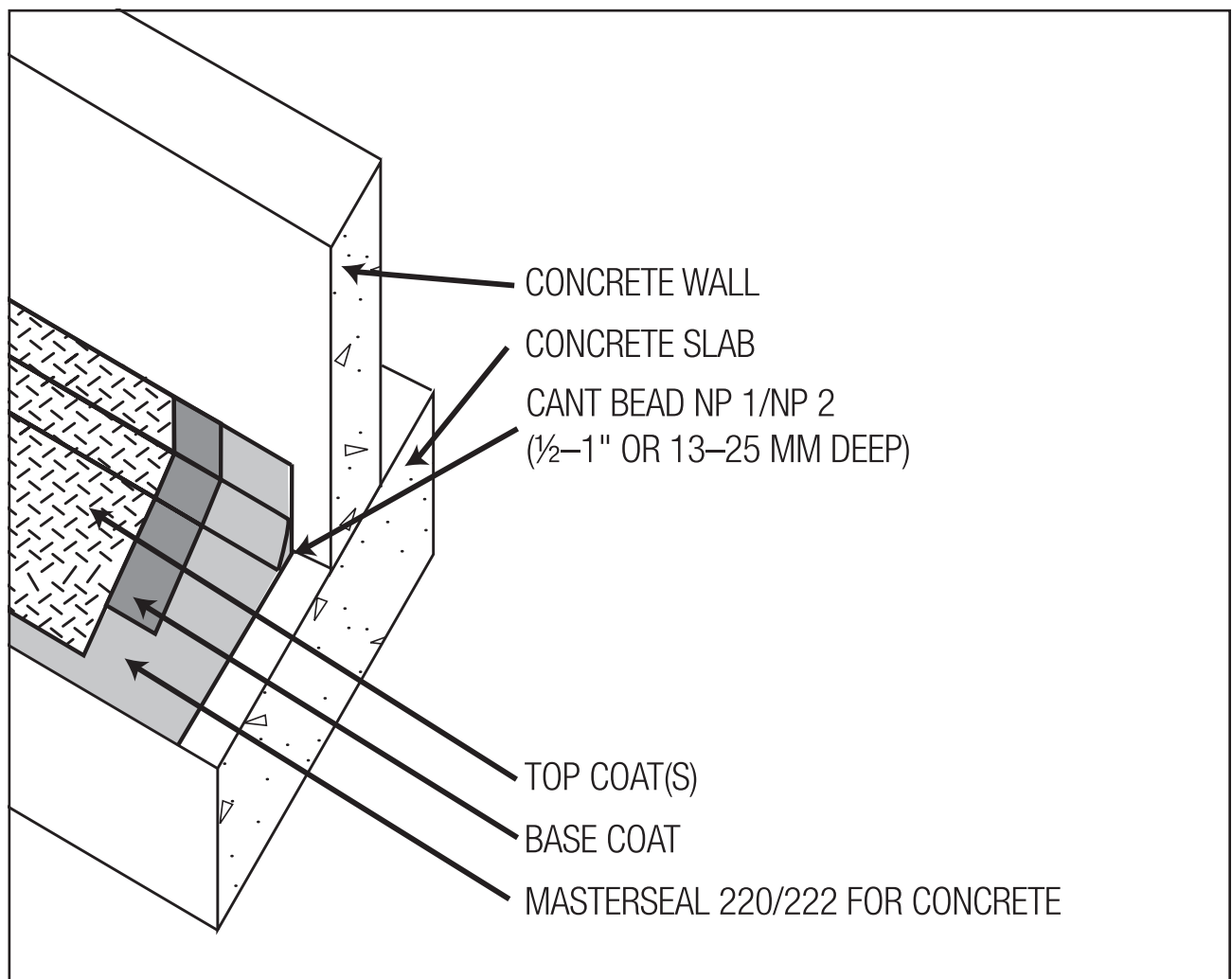




The Chemical Company

Technical Detail Drawing

## Wall Bearing on Slab



**BASF Corporation**  
**Construction Systems**  
889 Valley Park Drive  
Shakopee, MN 55379 USA

[master-builders-solutions.basf.us](http://master-builders-solutions.basf.us)  
**Customer Service** 1(800)433.9517  
**Technical Service** 1(800)243.6739

**MASTER®**  
**» BUILDERS**  
SOLUTIONS