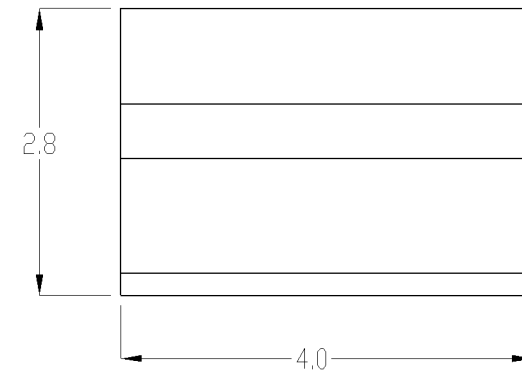
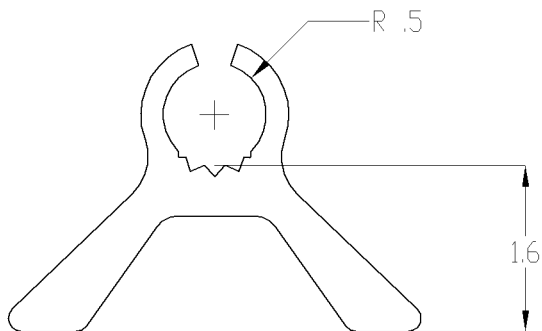
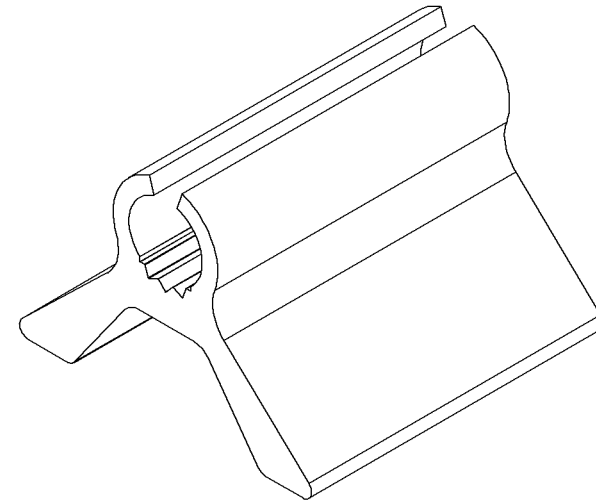
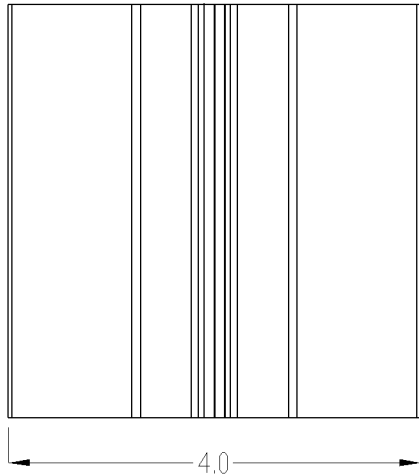


Distributed by: BEST MATERIALS LLC  
 Ph: 1-800-474-7570, 1-602-272-8128 Fax: 1-602-272-8014  
 Email: sales@bestmaterials.com www.bestmaterials.com




#### APPLICATIONS

- DESIGNED SPECIFICALLY FOR COMMON ROOFTOP PIPE SIZES  $\frac{1}{2}$  TO  $1\frac{1}{2}$  INCHES IN DIAMETER.
- MAXIMUM LOAD CAPACITY PER SUPPORT - 225 LBS.

#### NOTES:

1. REFER TO ROOF MEMBRANE MANUFACTURER FOR THEIR APPROVED INSTALLATION DETAIL.
2. MADE FROM WEATHER RESISTANT EPDM.



# PipeGuard

ROOFTOP PIPE SUPPORTS

**OMG Inc.**  
 153 Bowles Road  
 Agawam, MA 01001  
**800-633-3800**  
[info@olyfast.com](mailto:info@olyfast.com)  
[www.olyfast.com](http://www.olyfast.com)

NAME: Mini PipeGuard	
DRWN. BY: JLM	DATE: 03/07/12
APPD. BY: DG	DATE:
SCALE: NOT TO SCALE	SHEET: 1 OF 1