

Traffic-Pak

TRAFFIC CONTROL DEVICES

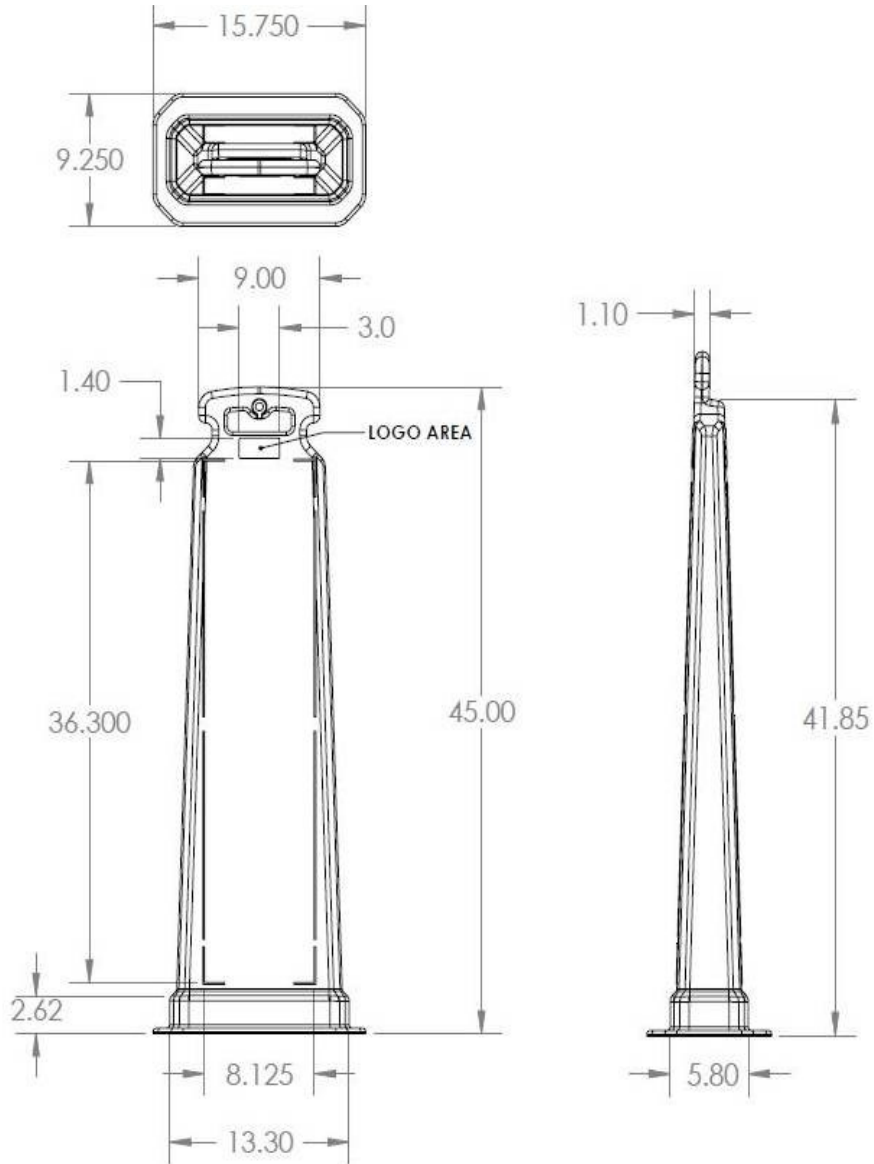
Distributed by Best Materials LLC

For more information call:

800.474.7570, 602.272.8128

Website: <http://www.bestmaterials.com> ✉ E-mail: sales@bestmaterials.com

VERTICAL PANEL



MATERIAL

HDPE(High Density Polyethylene
ALATHON L5440

COLOR

Poly One
FL ORANGE UV

REFLECTIVE SHEET AVAILABLE

NIPPON REFLECTIVE SHEETING
ULG, White, Flexible
8" x 36" OR 8" X 24"
ASTM D4956-11A, TYPE III

RUBBER BASE AVAILABLE

Recycled Tire Rubber
20 & 30 Lb

WEIGHT

4.0 LBS

PACKAGE

100 PCS/PALLET

UNIT PRICE (\$ USD):