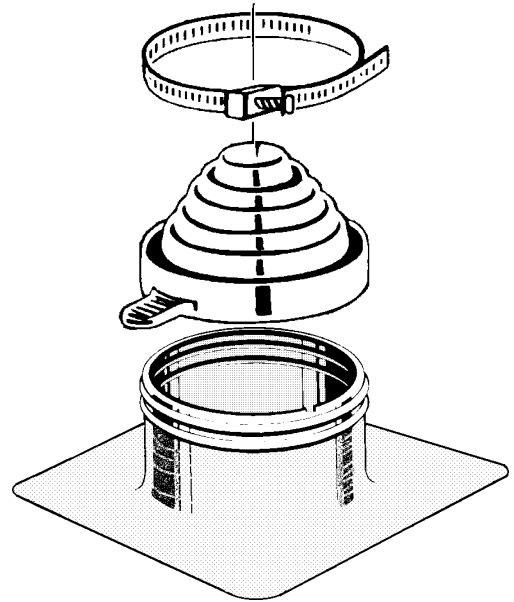




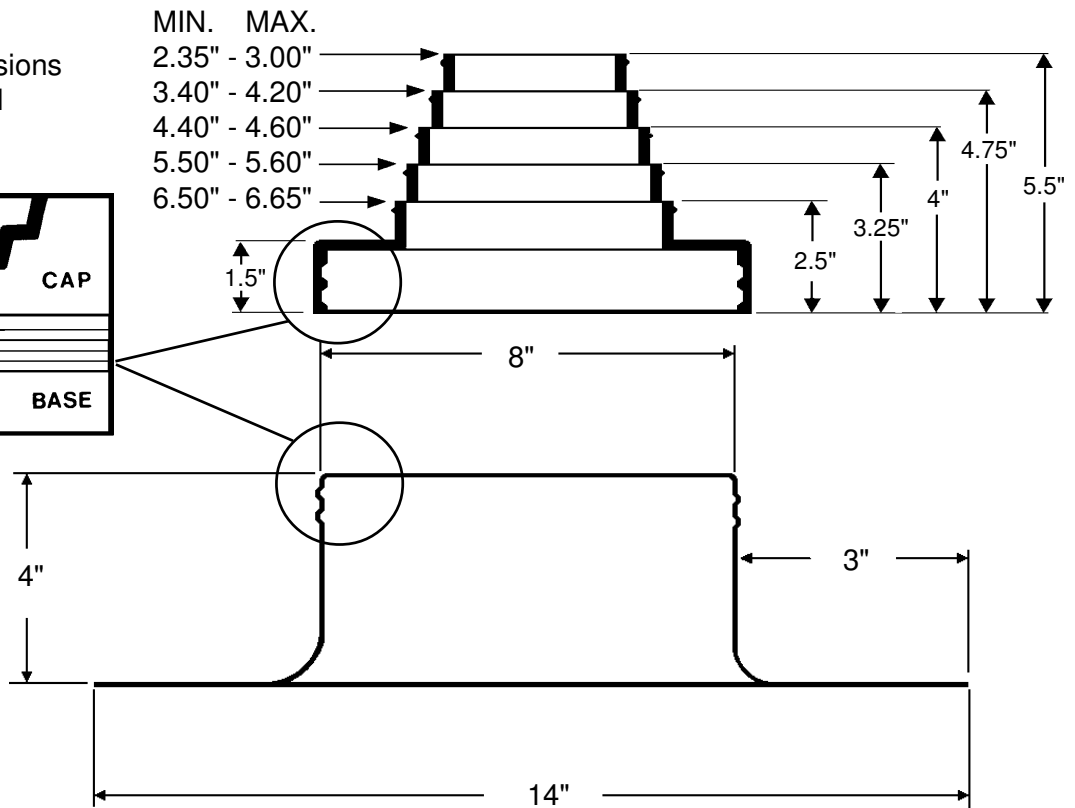
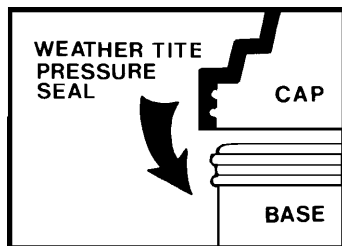
## Plasti-Flash with C-126 Cap

### SPECIFICATION

Furnish and install the Portals Plus Plasti-Flash as manufactured by Portals Plus, Inc., Bensenville, IL, at all points where one penetration 2" - 6" in diameter penetrates the roof. The Plasti-Flash shall include a .090 PVC base unit with a height of 4" and a base diameter of 14" square. The collared opening shall have two beaded sealing rings formed into the top edge. An EPDM (Ethylene Propylene Diene Monomer) compression molded white cap model C-126 shall be utilized. All Caps shall include Portals Plus' stainless steel Snaplock Clamp. Attachment and installation of the Plasti-Flash shall be done in accordance with Portals Plus' instructions and the roofing membrane manufacturer's recommendations.



NOTE: All dimensions are I.D. of conical shaped nipples



Distributed by: [BEST MATERIALS LLC](http://BESTMATERIALSLLC.com)  
 Ph: 800-474-7570, 602-272-8128 Fax: 602-272-8014  
[www.BestMaterials.com](http://www.BestMaterials.com) Email: [Sales@BestMaterials.com](mailto:Sales@BestMaterials.com)