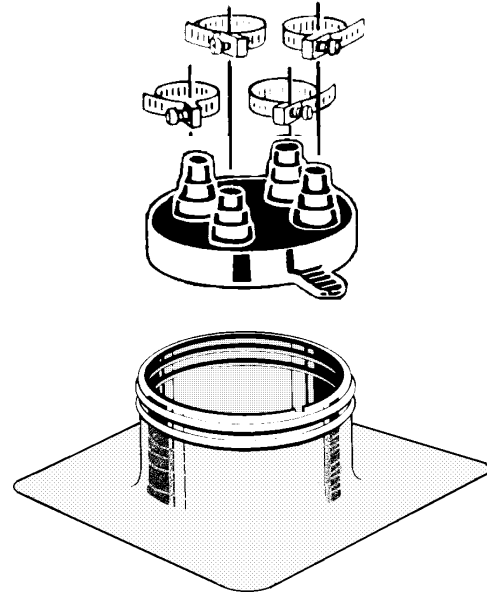




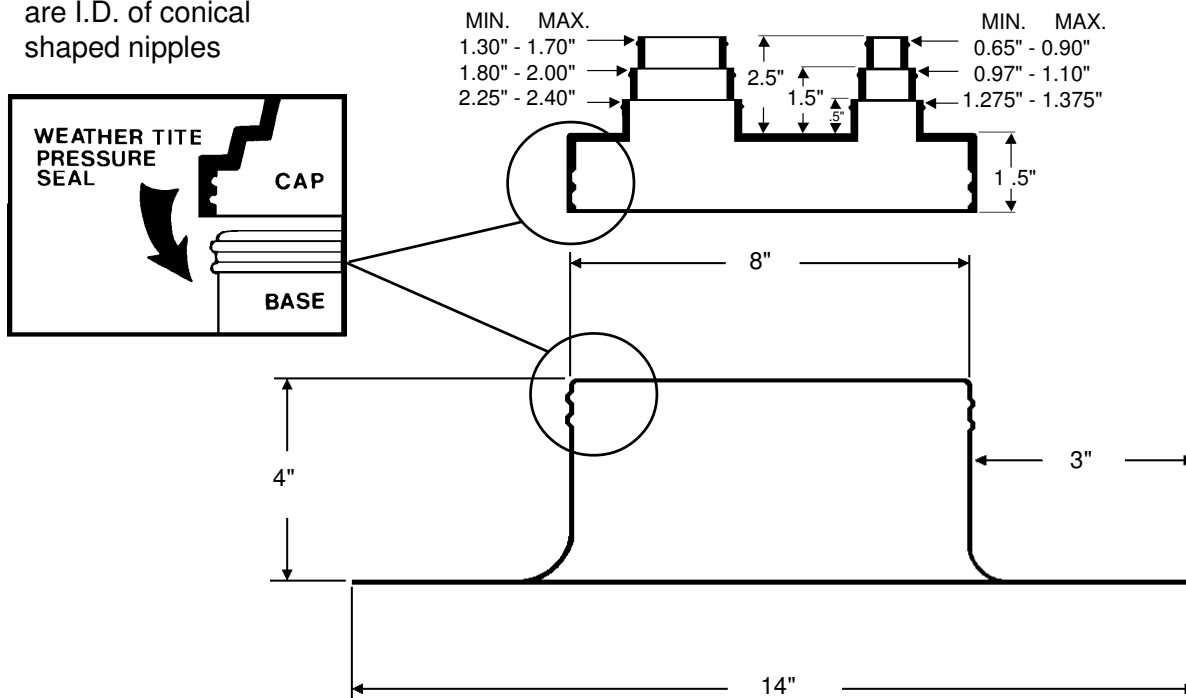
Plasti-Flash with C-212 Cap

SPECIFICATION

Furnish and install the Portals Plus Plasti-Flash as manufactured by Portals Plus, Inc., Bensenville, IL, at all points where up to two pipes .375" - 1" in diameter and up to two pipes 1" - 2" in diameter are penetrating the roof. The Plasti-Flash shall include a .090 PVC base unit with a height of 4" and a base diameter of 14" square. The collared opening shall have two beaded sealing rings formed into the top edge. An EPDM (Ethylene Propylene Diene Monomer) compression molded white cap model C-212 shall be utilized. All Caps shall include Portals Plus' stainless steel Snaplock Clamps. Attachment and installation of the Plasti-Flash shall be done in accordance with Portals Plus' instructions and the roofing membrane manufacturer's recommendations.



NOTE: All dimensions are I.D. of conical shaped nipples



Distributed by: **BEST MATERIALS LLC**
 Ph: 800-474-7570, 602-272-8128 Fax: 602-272-8014
www.BestMaterials.com Email: Sales@BestMaterials.com