

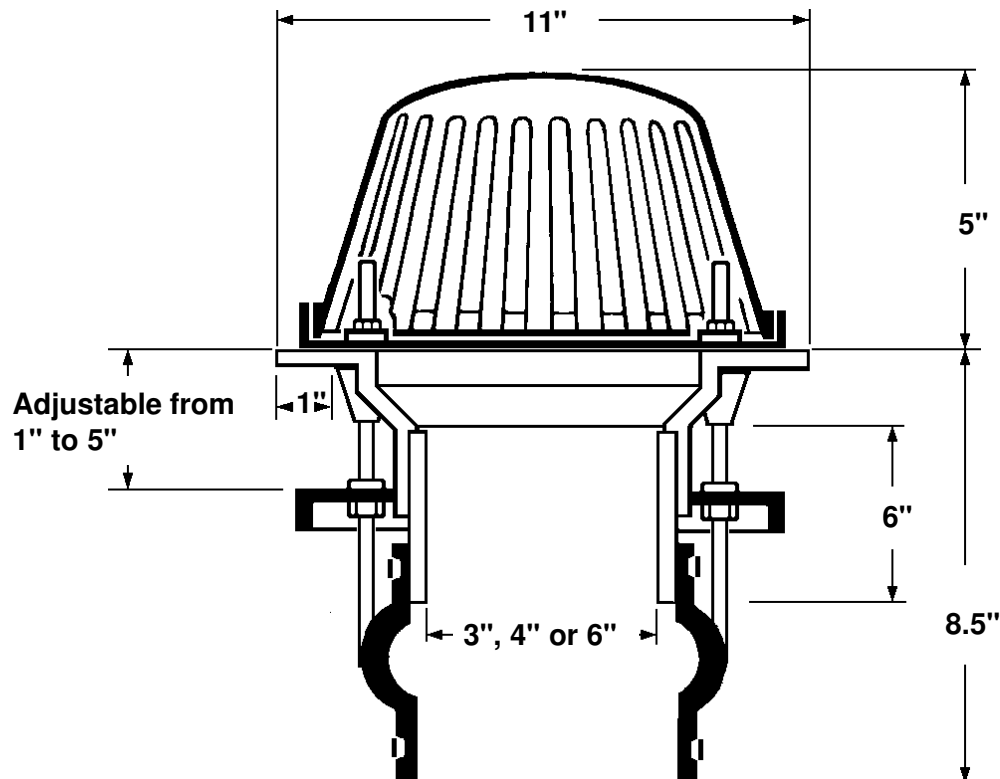


ABS and / or PVC Plus Pack Roof Drain

SPECIFICATION

Furnish and install the Portals Plus, Inc. Roof Drain with Plus Pack, as manufactured by Portals Plus, Inc., Bensenville, IL, at all drain openings as specified on drawings.

Drain shall consist of a molded ultraviolet stabilized polyethylene or cast aluminum dome strainer, a cast aluminum epoxy coated gravel guard and clamping ring, an injection molded ultraviolet stabilized ABS or PVC drain body, a 6" long schedule 40 drain body extension, a cast aluminum underdeck clamp, and a flexible EPDM connector with stainless steel clamps. Attachment and installation shall be done in accordance with Portals Plus' instructions and the roofing membrane manufacturer's recommendations. (Available in 3", 4" and 6").



Distributed by: **BEST MATERIALS LLC**
Ph: 800-474-7570, 602-272-8128 Fax: 602-272-8014
www.BestMaterials.com Email: Sales@BestMaterials.com