



ReRoof Drains

Technical Product Information

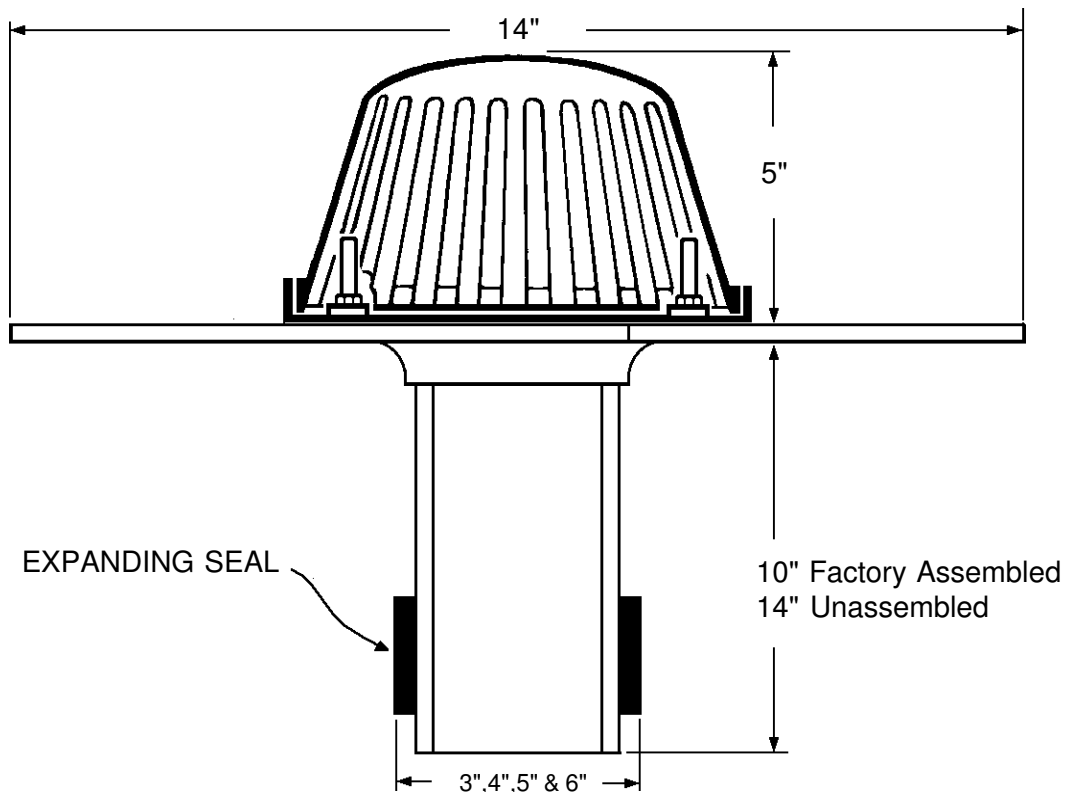
ABS ReRoof Drain

SPECIFICATION

Furnish and install the Portals Plus, Inc., ReRoof Drain as manufactured by Portals Plus, Inc., Bensenville, IL, at all drain openings as specified on drawings.

Drain shall consist of a molded ultraviolet stabilized polyethylene or cast aluminum dome strainer, a cast aluminum epoxy coated gravel guard and clamping ring, 14" O.D. injection molded ultraviolet stabilized black ABS drain flange with top rib flashing lock. The outlet pipe shall have a pre-compressed modified asphalt impregnated expanding foam, sealing tape, having a temperature range of -40 F to +185 F and 150% minimum elongation.

(Available in 3", 4", 5" and 6").



Distributed by: [BEST MATERIALS LLC](http://BestMaterials.com)
Ph: 800-474-7570, 602-272-8128 Fax: 602-272-8014
www.BestMaterials.com Email: Sales@BestMaterials.com