



ReRoof Drains

Technical Product Information

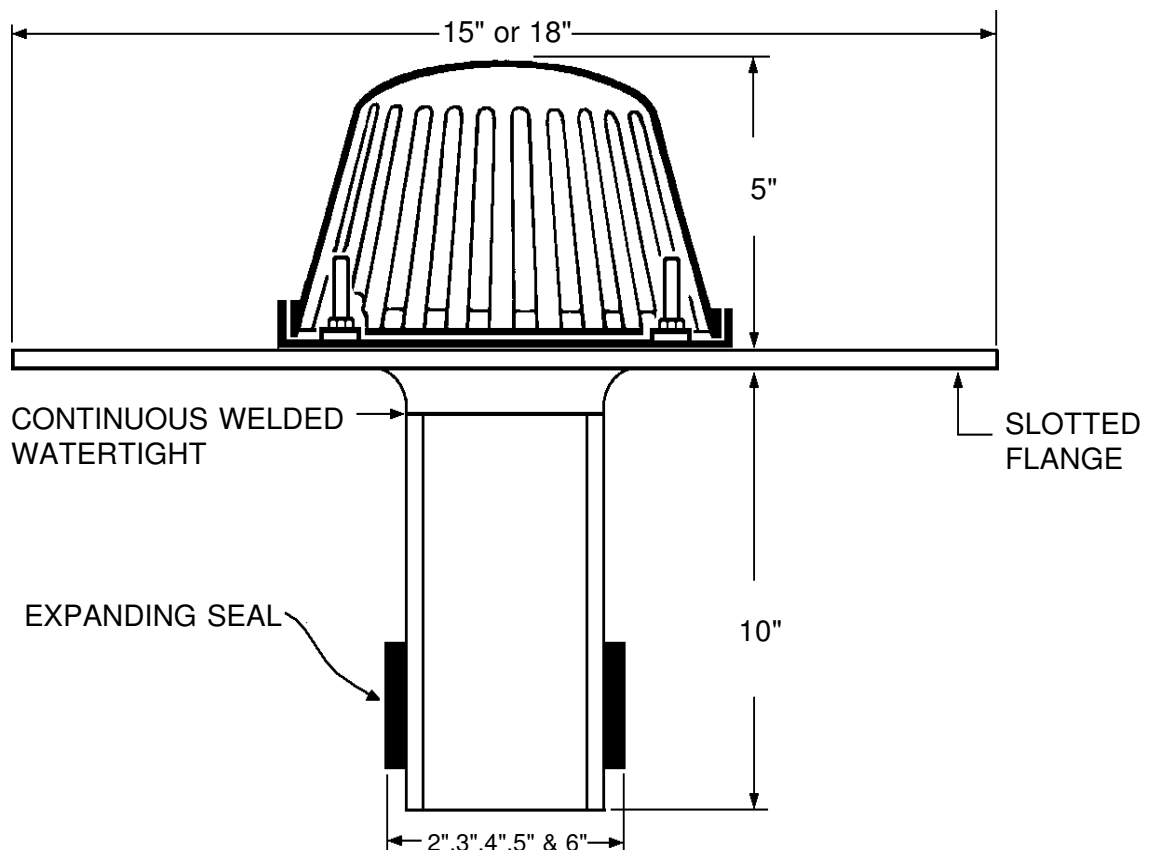
Aluminum ReRoof Drain

SPECIFICATION

Furnish and install the Portals Plus, Inc., ReRoof Drain as manufactured by Portals Plus, Inc., Bensenville, IL, at all drain openings as specified on drawings.

Drain shall consist of a molded ultraviolet stabilized polyethylene or cast aluminum dome strainer, a cast aluminum epoxy coated gravel guard and clamping ring, 15" or 18" O.D. spun Aluminum drain flange. The outlet pipe shall have a pre-compressed modified asphalt impregnated expanding foam, sealing tape, having a temperature range of -40 F to +185 F and 150% minimum elongation.

(Available in 2", 3", 4", 5" and 6").



Distributed by: [BEST MATERIALS LLC](http://BESTMATERIALS.LLC)
Ph: 800-474-7570, 602-272-8128 Fax: 602-272-8014
www.BestMaterials.com Email: Sales@BestMaterials.com