



Expansion Joint Covers

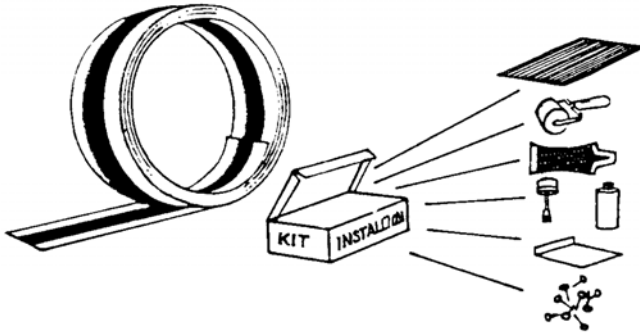
Technical Product Information

Straight Flange Roof-to-Roof Installation Instructions

READ COMPLETE INSTRUCTIONS CAREFULLY BEFORE STARTING

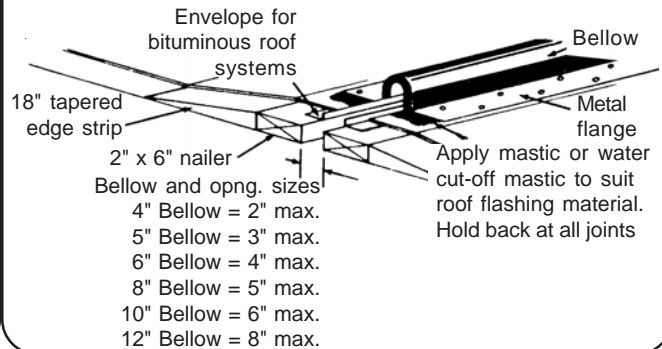
STEP 1

Verify all necessary materials are on hand



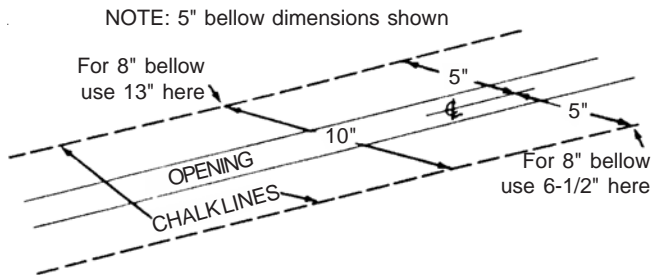
STEP 2

On both sides of expansion joint opening, install wood nailers, tapered edge strips and roofing to opening



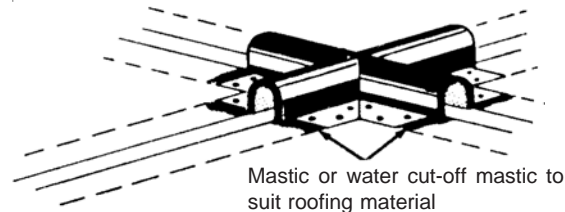
STEP 3

On both sides of opening, after roof membrane is installed, strike chalk lines as shown and apply mastic or water cut-off mastic on one side of opening where flange will rest. Hold back at all joints



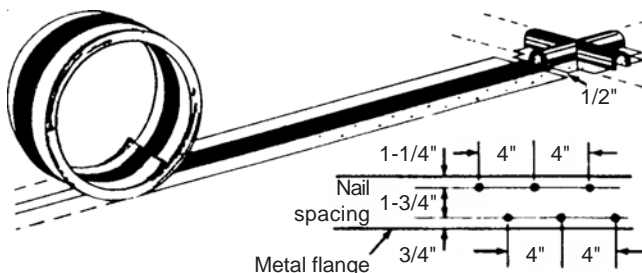
STEP 4

Install all Crossovers, Tees, and Corners first
 Trim all flanges to leave 1/2" space between each joint. BUTT BELLOWS. Hold all mastic or adhesives back at all joints.
 Then install straight runs with the same space in flanges and the same butting of bellows



STEP 5

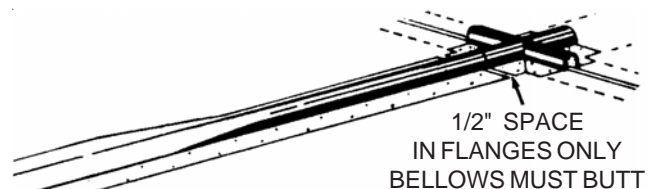
Unroll coil of expansion joint cover out over opening approx. 15-20 feet (foam side down) and align edge of metal with chalkline on side where mastic was applied. Nail the inside edge at intervals of 2 feet, making certain it is flat when the nails are started. Return to starting point and stagger-nail as shown below. Continue to unroll coil ahead of nailing and keep edge on chalk line.



STEP 6

After one flange has been nailed, return to starting point. Turn second flange back and apply mastic or water cut-off mastic to second side of opening. Pull second flange in to chalk line for approx. 10 feet, forming bellow, as shown. Nail flange as shown in Step 5. Continue pulling this flange to chalk line several feet ahead of nailing.

NOTE: Trim all flanges to leave 1/2" space between each joint. BUTT BELLOWS. Hold all mastic or adhesives back at all joints.





Expansion Joint Covers

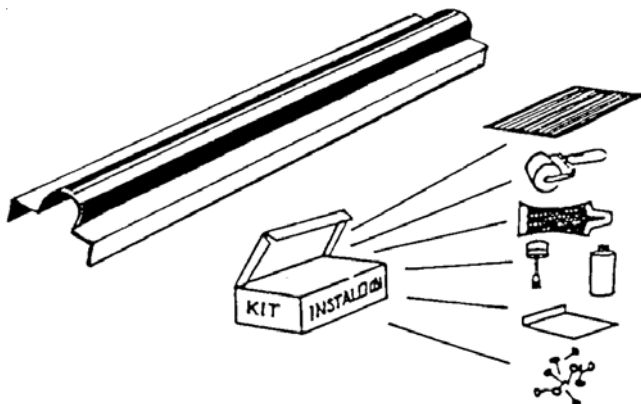
Technical Product Information

Curb Flange Installation Instructions

READ COMPLETE INSTRUCTIONS CAREFULLY BEFORE STARTING

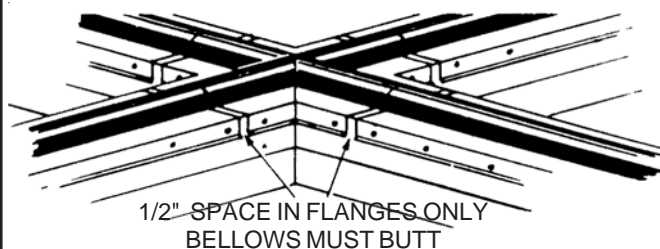
STEP 1

Verify all necessary materials are on hand



STEP 2

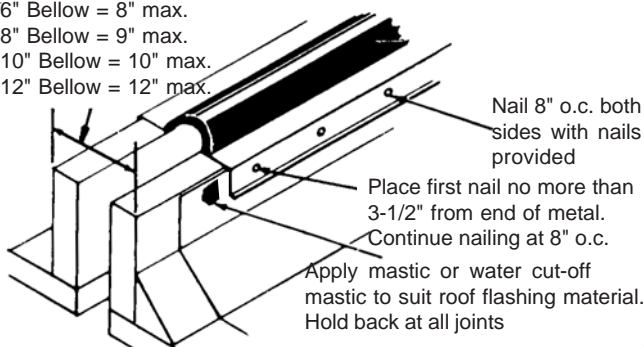
Install all Crossovers, Tees, and Corners first
 Trim all flanges to leave 1/2" space between each joint. BUTT BELLOWS. Hold all mastic or adhesives back at all joints.
 Then install straight runs with the same space in flanges and the same butting of bellows



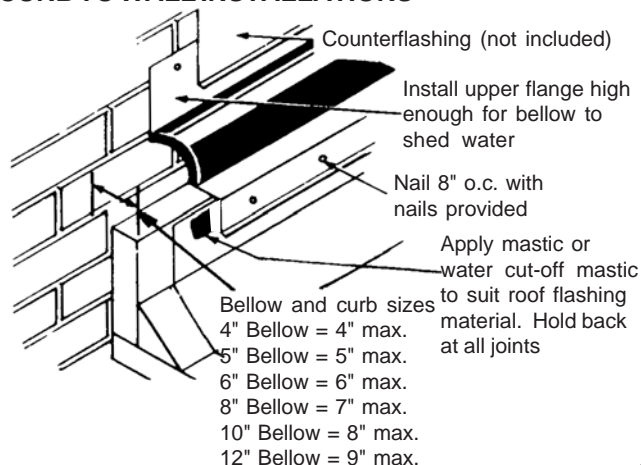
CURB TO CURB INSTALLATIONS

Bellow and curb sizes

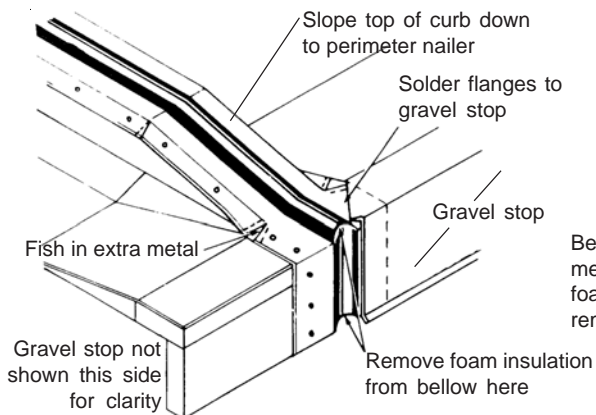
- 4" Bellow = 6" max.
- 5" Bellow = 7" max.
- 6" Bellow = 8" max.
- 8" Bellow = 9" max.
- 10" Bellow = 10" max.
- 12" Bellow = 12" max.



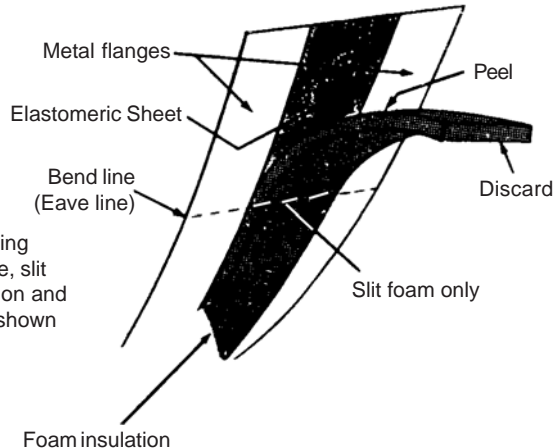
CURB TO WALL INSTALLATIONS



GRAVEL STOP & GUTTER TERMINATIONS



NOTE: Slope curb to perimeter nailer. Where gutter occurs, install as shown, except lap expansion joint cover OVER gravel stop into gutter





Expansion Joint Covers

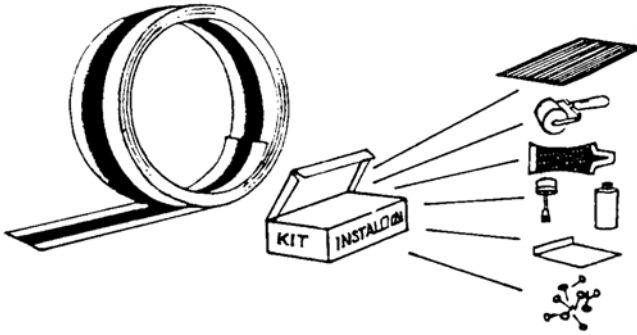
Technical Product Information

Straight Flange Roof-to-Wall Installation Instructions

READ COMPLETE INSTRUCTIONS CAREFULLY BEFORE STARTING

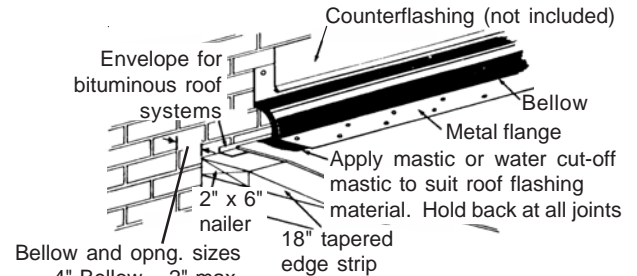
STEP 1

Verify all necessary materials are on hand



STEP 2

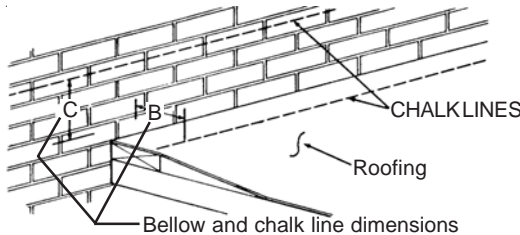
Install wood nailer, tapered edge strip, and roofing to opening.



Bellow and opng. sizes
 4" Bellow = 2" max.
 5" Bellow = 3" max.
 6" Bellow = 4" max.
 8" Bellow = 5" max.
 10" Bellow = 6" max.
 12" Bellow = 7" max.

STEP 3

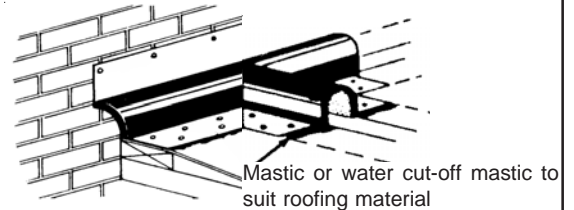
After roof membrane is installed up to expansion joint opening, strike chalk lines on roof and wall as shown. Strike chalk line on roof from face of wall. Strike chalk line on wall above 2" x 6" nailer.



Bellow and chalk line dimensions
 4" Bellow - B= 6", C= 5-3/4"
 5" Bellow - B= 7", C= 6-3/4"
 6" Bellow - B= 8", C= 7-3/4"
 8" Bellow - B= 9", C= 8-3/4"
 10" Bellow - B= 10", C= 9-3/4"
 12" Bellow - B= 12", C= 10-3/4"

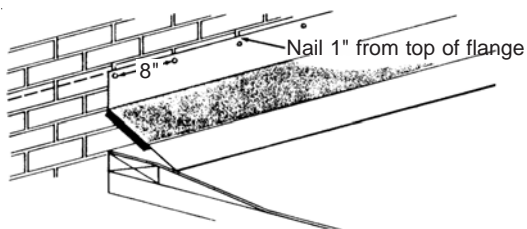
STEP 4

Install all Corners, Tees, and Crossovers first. Trim all flanges to leave 1/2" space between each joint. BUTT BELLOWS. Hold all mastic or adhesives back at all joints. Then install straight runs with the same space in flanges and the same butting of bellows



STEP 5

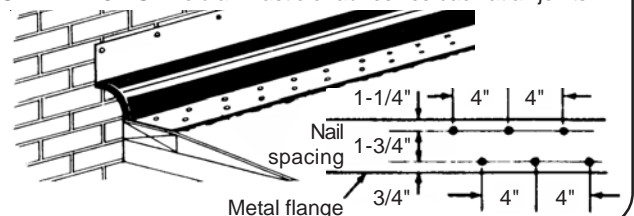
Unroll coil of expansion joint cover out over roof (foam side down) against wall. Pull flange next to wall up to chalk line on wall and nail at 8" on center, 1" from top of flange.



STEP 6

After flange has been nailed to wall, return to starting point. Turn roof flange back and apply mastic or water cut-off mastic to roof where flange contacts roofing. Push roof flange in to chalk line for approx. 10 feet, forming bellow, as shown. Nail the inside edge at intervals of 2 feet, making certain it is flat when the nails are started. Continue pushing this flange to chalk line several feet ahead of nailing. Return to starting point and stagger-nail as shown below.

NOTE: Trim all flanges to leave 1/2" space between each joint. BUTT BELLOWS. Hold all mastic or adhesives back at all joints.





Expansion Joint Covers

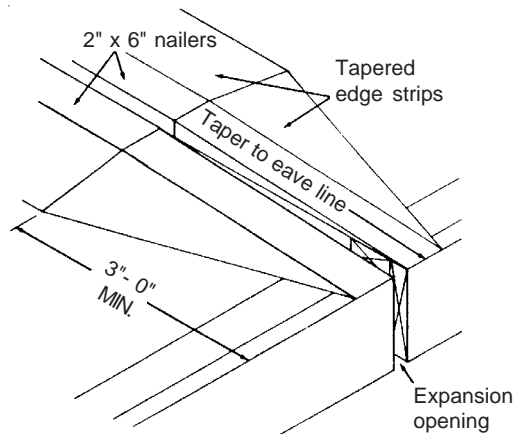
Technical Product Information

Straight Flange Installation Instructions

READ COMPLETE INSTRUCTIONS CAREFULLY BEFORE STARTING

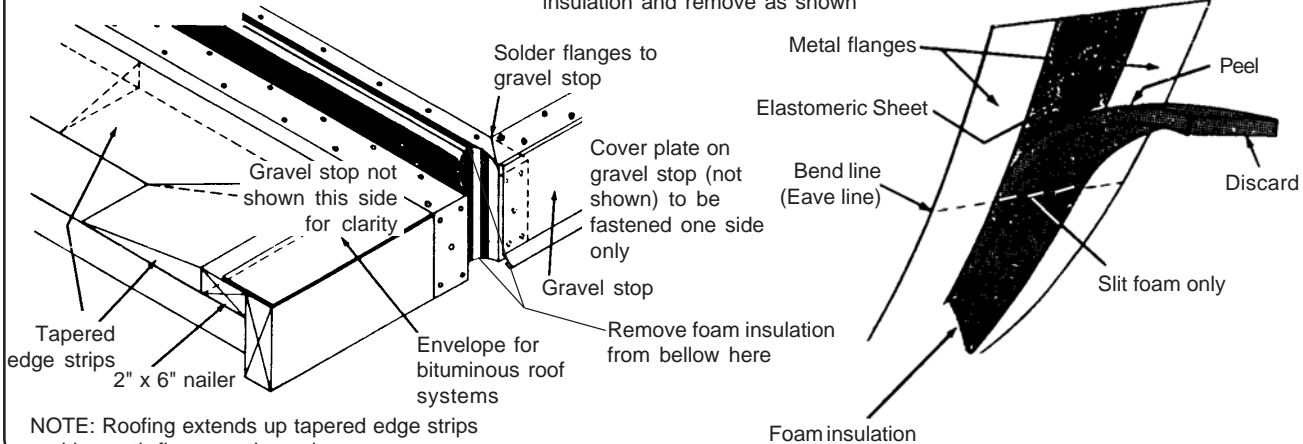
ROOF EDGE PREPARATION

On both sides of expansion joint opening, install wood nailers and tapered edge strips. Taper wood nailers and tapered edge strips down to feathered edge at eave. Install roofing as specified by roofing membrane manufacturer to edge of expansion joint opening and edge of roof.



METAL EDGE TERMINATIONS

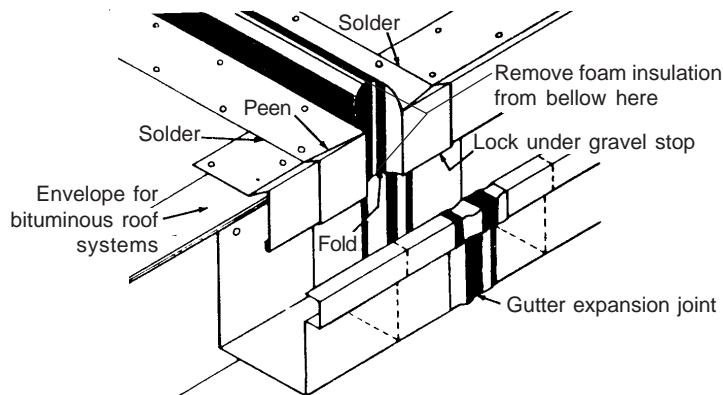
Before bending metal at edge, slit foam insulation and remove as shown



NOTE: Roofing extends up tapered edge strips and beneath flange and envelope

GUTTER TERMINATIONS

Expansion joint for gutter is made in the shop by removing foam from expansion joint cover and forming metal flanges to fit gutter. Solder and rivet flanges to gutter each side. Leave buckle in elastomeric sheet for gutter movement.





Expansion Joint Covers

Technical Product Information

Joint Splicing Installation Instructions

COLD WEATHER CAUTION: For cold weather applications, make certain splice covers are warm and pliable before starting.

STEP 1

Make certain that all surfaces in area of joint are clean and dry. If necessary, clean metal flanges 4" on each side of joint with detergent or mild solvent to remove any oily film before proceeding. Use only the materials supplied with expansion joint covers for splicing.

Read directions on splicing primer can before starting. Brush splicing primer on bellows and both metal flanges, out 4" on each side of butt joint. Use only enough to cover 1 to 1-1/2 mils dry thickness. Make certain joint has been covered with primer- especially metal flanges.

When primer is first applied, it will have a glossy appearance. Do not proceed to Step 2 until primer has dried to a dull appearance. 15 minutes is required for drying, unless an excessive amount has been applied. Do not leave primed joint exposed more than 1 hour before proceeding to Step 2.

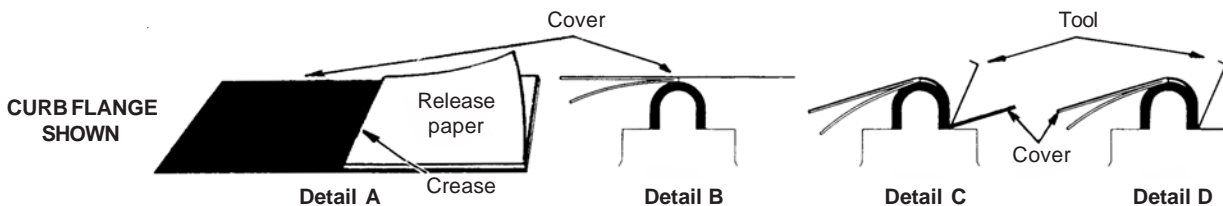


STEP 2

Peel the release paper halfway from one end of the self-sealing splice cover and crease (see Detail A).

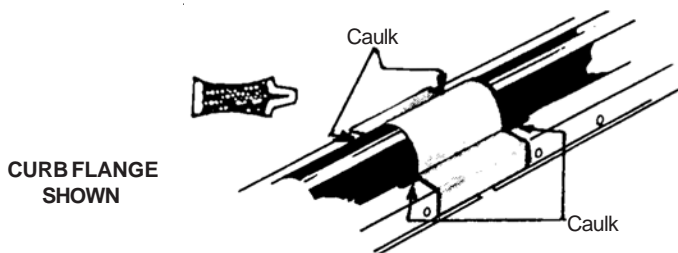
Center the splice cover over butt joint with peeled side and crease in release paper down and centered over bellows (see Detail B). Allow cover to roll into place naturally and start pressing exposed side of cover onto the bellows with wood roller provided, holding end up. Work roller toward edges to remove all air bubbles. If air bubbles occur, pull cover back and roll out again before proceeding. Use metal tool provided to force cover tightly into junction of bellows and metal flanges (see Detail C). Do not stretch cover. Hold tool in place as cover is rolled over metal flange (see Detail D).

Peel release paper from remaining half of cover and install on second side of bellows as described and illustrated above.



STEP 3

To complete the splice cover installation, apply a bead of caulking starting at the edge of the splice cover and extending out about 1" along the crimp at each of the four places where the splice cover crosses the crimp. Force as much caulking as necessary into the crimp to insure a tight seal.





Expansion Joint Covers

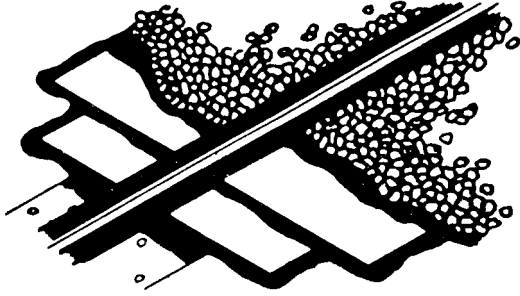
Technical Product Information

Straight Flange Finishing Installation Instructions

READ COMPLETE INSTRUCTIONS CAREFULLY BEFORE STARTING

ROOF-TO-ROOF

Complete sealing of flanges in accordance with roofing manufacturer's specification for stripping metal flanges. Apply ballast as required by roofing manufacturer up to bellows. Do not apply any bituminous materials to bellows.



ROOF-TO-WALL

Complete sealing of roof flange in accordance with roofing manufacturer's specification for stripping metal flanges. Apply ballast as required by roofing manufacturer up to bellows. Do not apply any bituminous materials to bellows.

Seal top edge of wall flange and install metal counterflashing (not included) of same material as flange of expansion joint cover to cover wall flange.

