



ReRoof Drains

Technical Product Information

Drain inserts for retrofit applications



Metal
ReRoof Drain

The image shows a metal ReRoof Drain. It consists of a silver-colored metal body with a black base. The top of the drain is a white, dome-shaped grate with vertical slats. The drain is mounted on a circular metal flange.

Plastic
ReRoof Drain

The image shows a plastic ReRoof Drain. It consists of a black plastic body with a black base. The top of the drain is a white, dome-shaped grate with vertical slats. The drain is mounted on a circular black plastic flange.

**Prefabricated Roof Accessories for
All Roof Systems**



ReRoof Drains

Technical Product Information

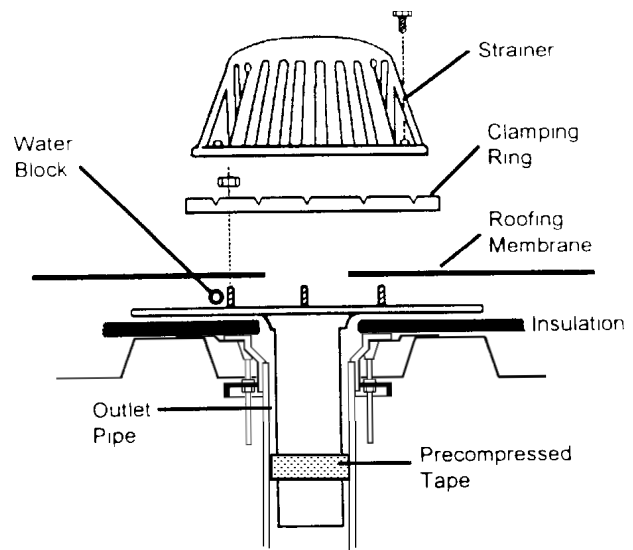
Drain inserts for retrofit applications

The Portals Plus ReRoof Drain is designed for the easiest and most reliable installation for use in conjunction with an existing drain when reroofing. The unit is based on a flat underside flange for flush roofing material installation. A special pre-compressed modified asphalt impregnated expanding foam sealing tape automatically makes a permanent elastic watertight seal to the existing drain, eliminating water back up. The flange and outlet tube are available in stainless, aluminum, PVC, or high temperature ABS. ReRoof Drains are available to fit 2", 3", 4", 5", and 6" drains.

The drain is completely installed on the roof top with NO special tools and all hardware is stainless steel. The unit is available with either plastic or cast aluminum dome strainer and the outlet tube gives minimum downsizing to the existing drain. The Portals Plus ReRoof Drain makes a perfect roofing termination point and offers an excellent connection to the plumbing below.



STAINLESS STEEL OR ALUMINUM



WHITE PVC



BLACK ABS



**ALUMINUM
INSERT**

Distributed by: **BEST MATERIALS LLC**
Ph: 800-474-7570, 602-272-8128 Fax: 602-272-8014
Email: sales@bestmaterials.com www.bestmaterials.com



ReRoof Drain with Overflow Clamping Ring

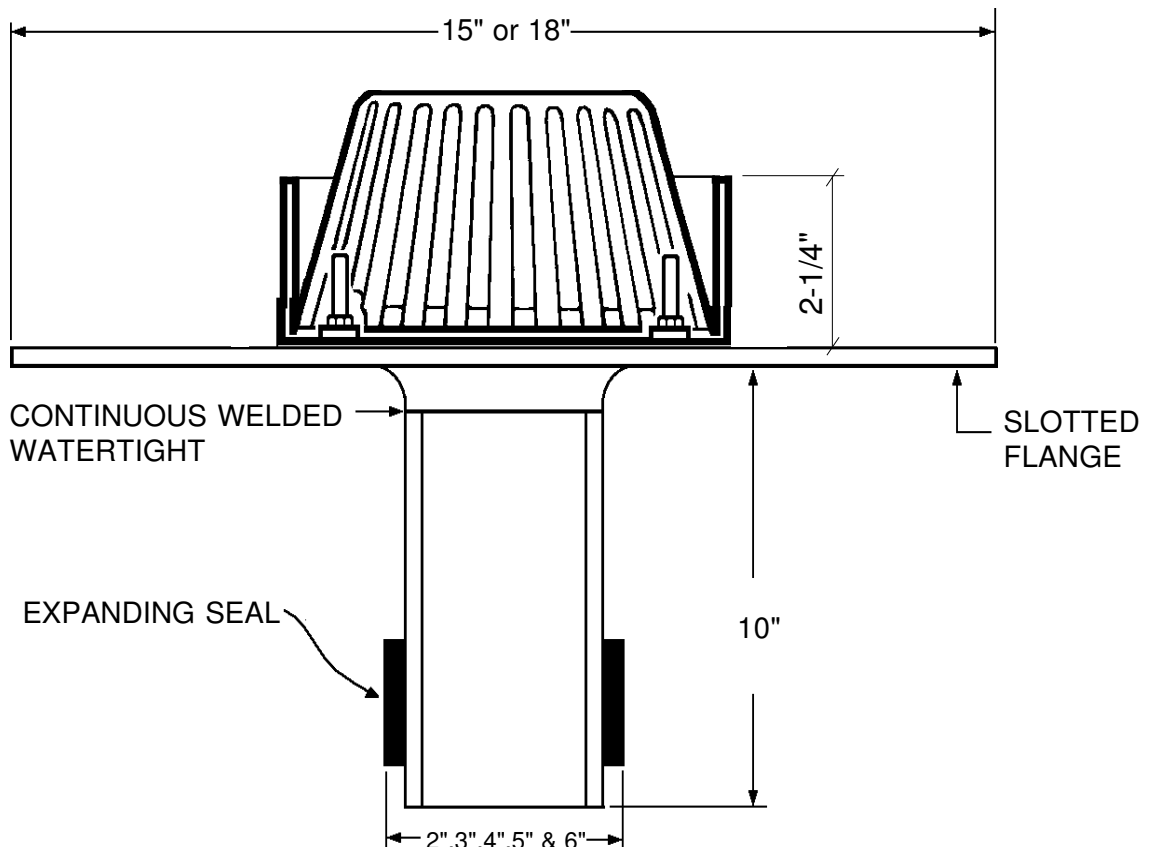
SPECIFICATION

Furnish and install the Portals Plus, Inc., ReRoof Drain with Overflow Clamping Ring as manufactured by Portals Plus, Inc., Bensenville, IL, at all overflow drain openings as specified on drawings.

Drain shall consist of a molded ultraviolet stabilized polyethylene or cast aluminum dome strainer, a cast aluminum epoxy coated overflow clamping ring, and a reroof drain of (choose one: injection molded black ABS flange and outlet tube, injection molded white PVC flange and outlet tube, spun aluminum flange with extruded aluminum outlet tube, or spun stainless steel flange with extruded stainless steel outlet tube). The outlet tube shall have a pre-compressed modified asphalt impregnated expanding foam, sealing tape, having a temperature range of -40F to +185 F and 150% minimum elongation (available in 3", 4", 5" and 6") or rubber seal which requires no special tools (available in 2", 3", 4", 5" and 6"). Attachment and installation shall be done in accordance with Portals Plus' instructions and the roofing membrane manufacturer's recommendations.



Rubber Seal- US PATENT NO. 6,647,682



Distributed by: **BEST MATERIALS LLC**
Ph: 800-474-7570, 602-272-8128 Fax: 602-272-8014
Email: sales@bestmaterials.com www.bestmaterials.com



ReRoof Drains

Technical Product Information

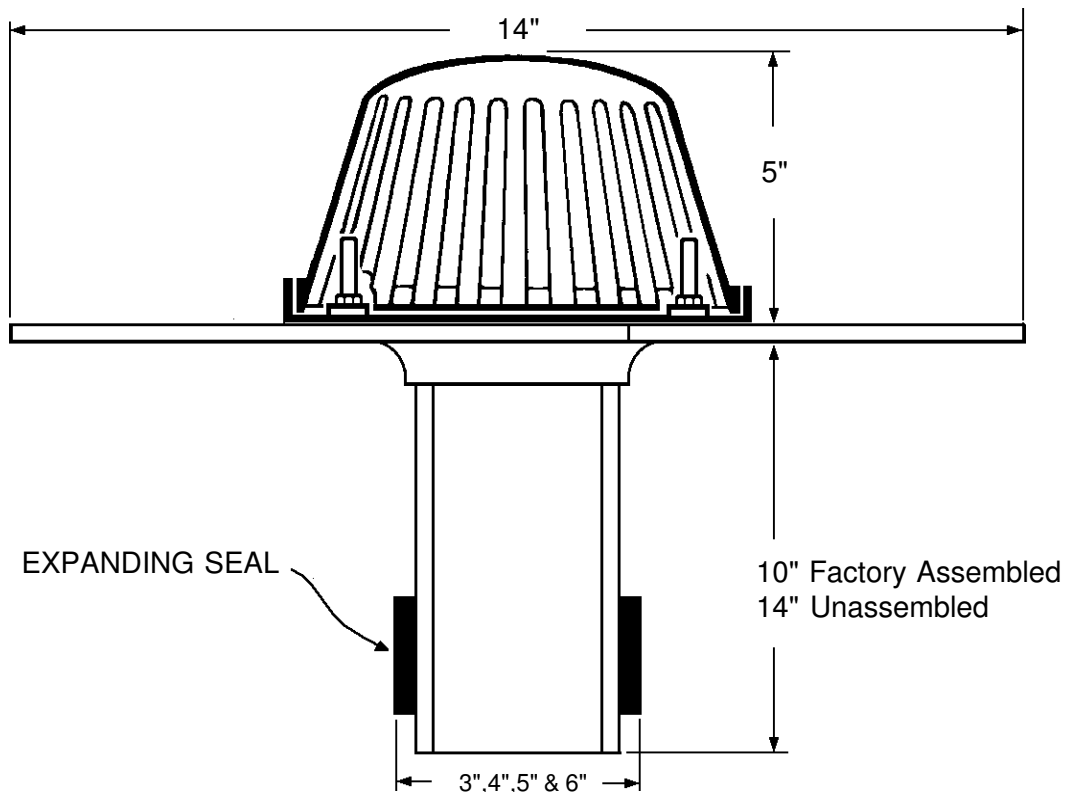
ABS ReRoof Drain

SPECIFICATION

Furnish and install the Portals Plus, Inc., ReRoof Drain as manufactured by Portals Plus, Inc., Bensenville, IL, at all drain openings as specified on drawings.

Drain shall consist of a molded ultraviolet stabilized polyethylene or cast aluminum dome strainer, a cast aluminum epoxy coated gravel guard and clamping ring, 14" O.D. injection molded ultraviolet stabilized black ABS drain flange with top rib flashing lock. The outlet pipe shall have a pre-compressed modified asphalt impregnated expanding foam, sealing tape, having a temperature range of -40 F to +185 F and 150% minimum elongation.

(Available in 3", 4", 5" and 6").



Distributed by: **BEST MATERIALS LLC**
Ph: 800-474-7570, 602-272-8128 Fax: 602-272-8014
Email: sales@bestmaterials.com www.bestmaterials.com



ReRoof Drains

Technical Product Information

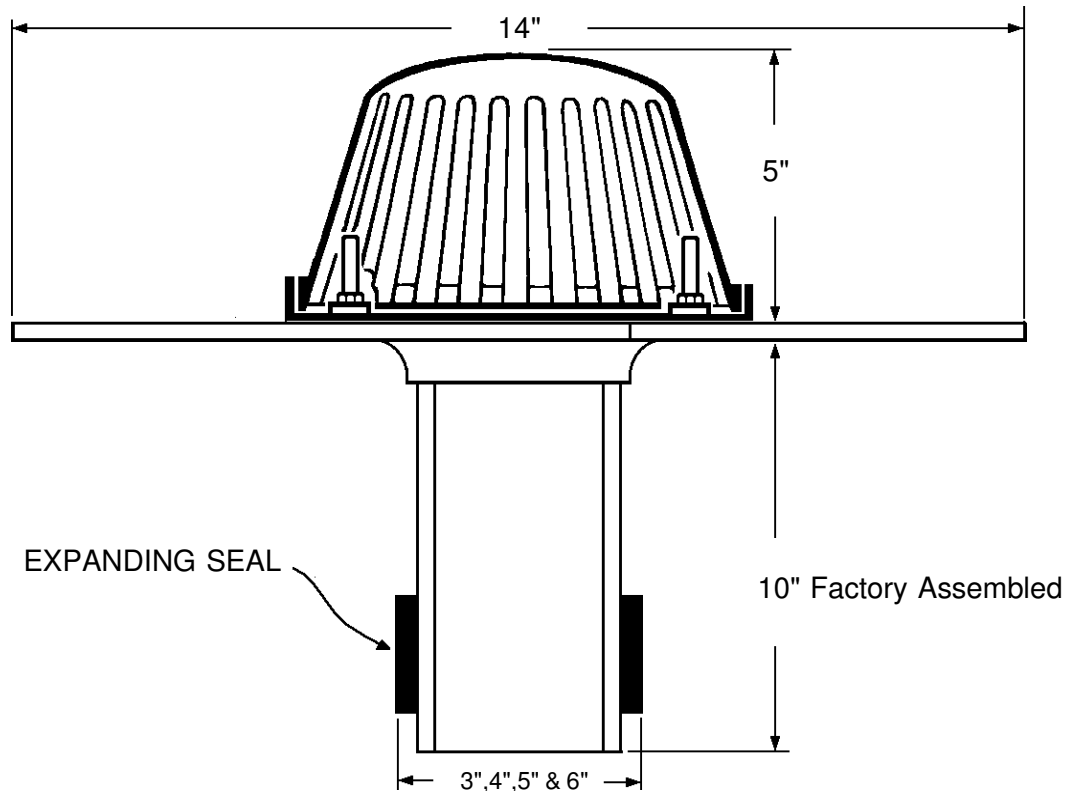
PVC White ReRoof Drain

SPECIFICATION

Furnish and install the Portals Plus, Inc., ReRoof Drain as manufactured by Portals Plus, Inc., Bensenville, IL, at all drain openings as specified on drawings.

Drain shall consist of a molded ultraviolet stabilized polyethylene or cast aluminum dome strainer, a cast aluminum epoxy coated gravel guard and clamping ring, 14" O.D. injection molded ultraviolet stabilized white PVC drain flange for use with hot air and chemically welded roof systems with top rib flashing lock. The outlet pipe shall have a pre-compressed modified asphalt impregnated expanding foam, sealing tape, having a temperature range of -40 F to +185 F and 150% minimum elongation.

(Available in 3", 4", 5" and 6").



Distributed by: **BEST MATERIALS LLC**
Ph: 800-474-7570, 602-272-8128 Fax: 602-272-8014
Email: sales@bestmaterials.com www.bestmaterials.com



ReRoof Drains

Technical Product Information

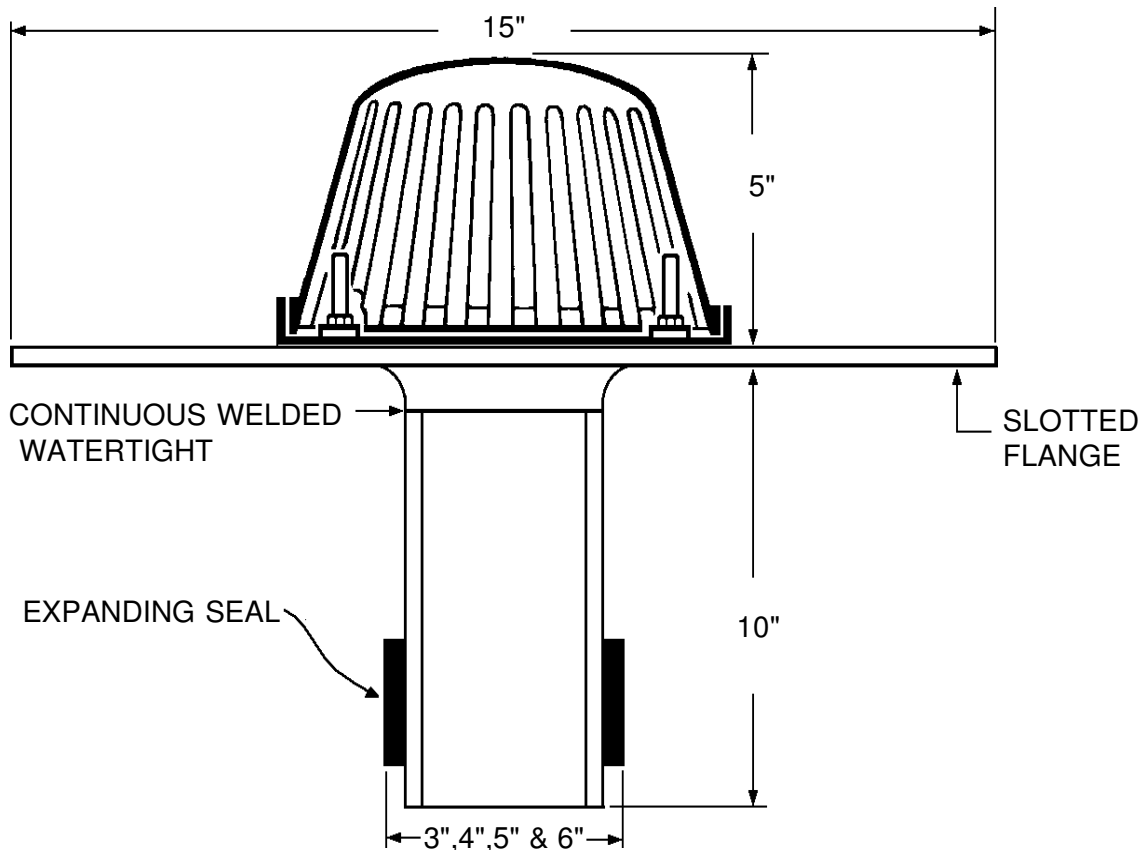
Stainless Steel ReRoof Drain

SPECIFICATION

Furnish and install the Portals Plus, Inc., ReRoof Drain as manufactured by Portals Plus, Inc., Bensenville, IL, at all drain openings as specified on drawings.

Drain shall consist of a molded ultraviolet stabilized polyethylene or cast aluminum dome strainer, a cast aluminum epoxy coated gravel guard and clamping ring, 15" O.D. spun Stainless Steel drain flange. The outlet pipe shall have a pre-compressed modified asphalt impregnated expanding foam, sealing tape, having a temperature range of -40 F to +185 F and 150% minimum elongation.

(Available in 3", 4", 5" and 6").



Distributed by: **BEST MATERIALS LLC**
Ph: 800-474-7570, 602-272-8128 Fax: 602-272-8014
Email: sales@bestmaterials.com www.bestmaterials.com



ReRoof Drains

Technical Product Information

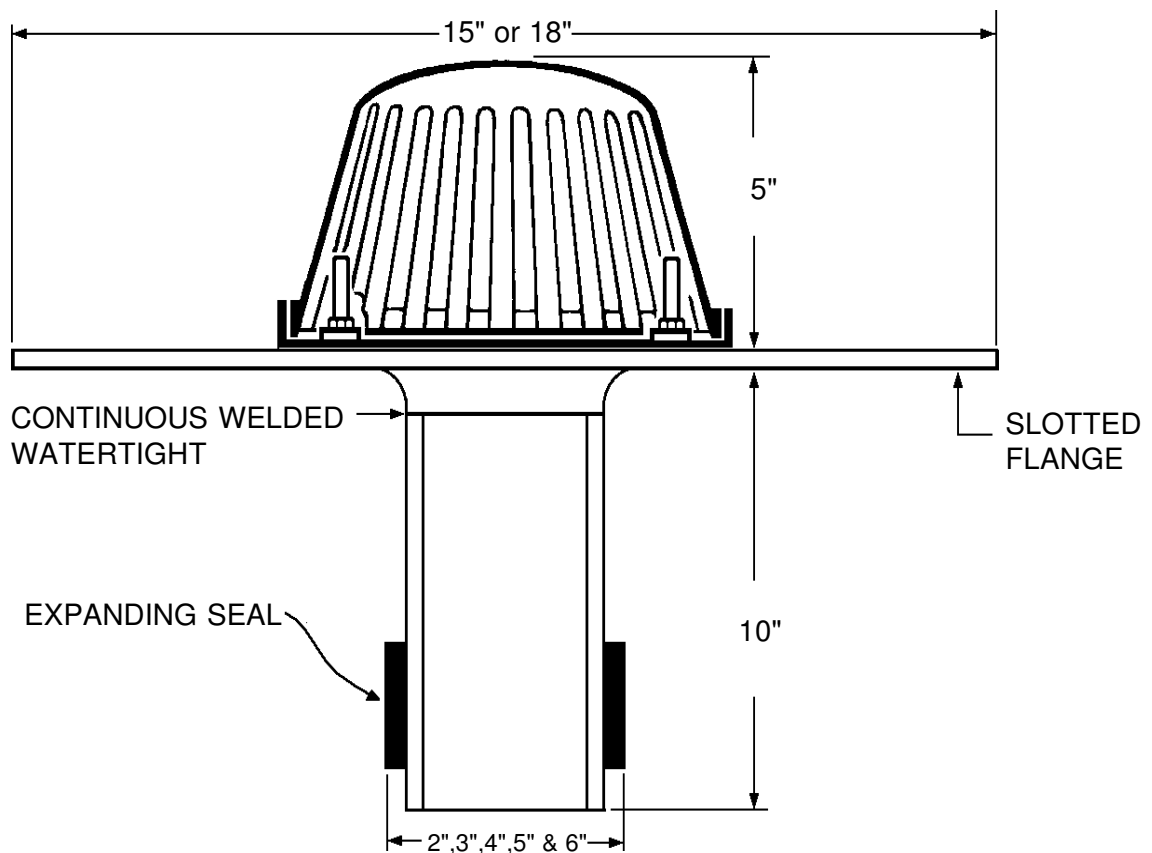
Aluminum ReRoof Drain

SPECIFICATION

Furnish and install the Portals Plus, Inc., ReRoof Drain as manufactured by Portals Plus, Inc., Bensenville, IL, at all drain openings as specified on drawings.

Drain shall consist of a molded ultraviolet stabilized polyethylene or cast aluminum dome strainer, a cast aluminum epoxy coated gravel guard and clamping ring, 15" or 18" O.D. spun Aluminum drain flange. The outlet pipe shall have a pre-compressed modified asphalt impregnated expanding foam, sealing tape, having a temperature range of -40 F to +185 F and 150% minimum elongation.

(Available in 2", 3", 4", 5" and 6").





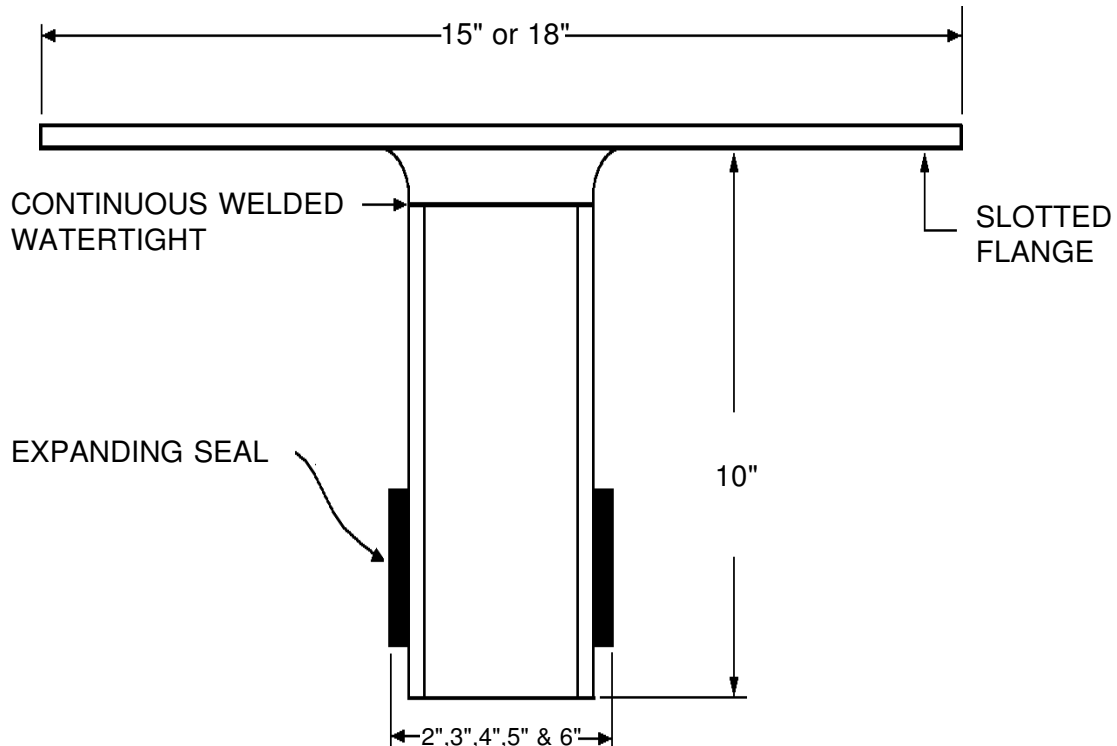
Aluminum Insert ReRoof Drain

SPECIFICATION

Furnish and install the Portals Plus, Inc., Drain Insert and optional ball strainer as manufactured by Portals Plus, Inc., Bensenville, IL, at all drain openings as specified on drawings.

Drain Insert shall consist of a 15" or 18" O.D. spun Aluminum drain flange. The outlet pipe shall be of extruded aluminum with a continuous weld to drain flange. The outlet pipe shall have a pre-compressed modified asphalt impregnated expanding foam, sealing tape, having a temperature range of -40 F to +185 F and 150% minimum elongation.

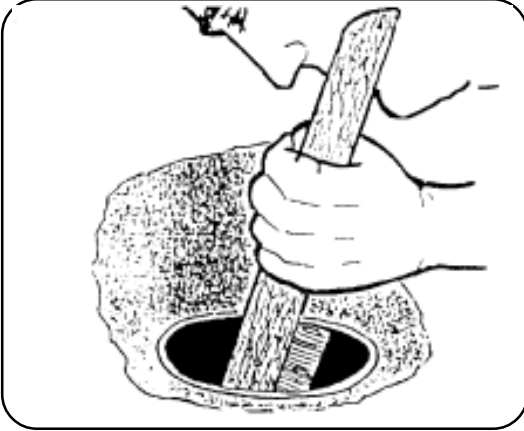
(Available in 2", 3", 4", 5" and 6").



Distributed by: **BEST MATERIALS LLC**
Ph: 800-474-7570, 602-272-8128 Fax: 602-272-8014
Email: sales@bestmaterials.com www.bestmaterials.com

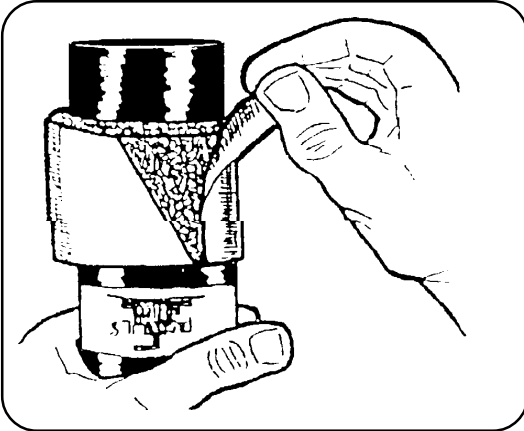


Installation Instructions



STEP 1

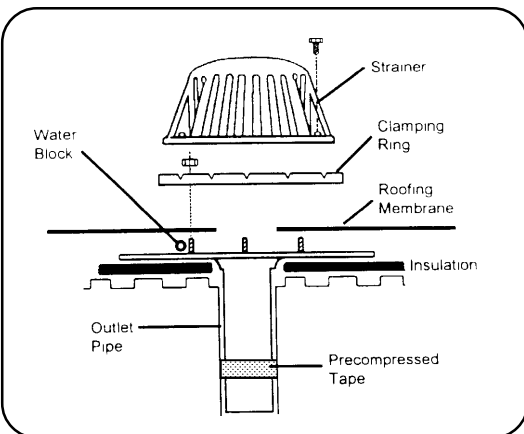
Inspect existing drain pipe to ensure there are no cracks or signs of potential failure. Using a wire brush, clean existing drain line of asphalt, loose debris and moisture. If necessary, use a heat gun to dry a wet line.



STEP 2

Ensure drain sleeve is the proper size before removing plastic restraining tape. Remove plastic restraining tape just prior to inserting into drain sleeve. Apply a bead of water cut-off mastic to leading edge of expanding tape. Turn drain in a clockwise motion while seating drain unit. Seat entire unit so flange is flush with insulation.

NOTE: Heat and U.V. will accelerate the expansion rate of the foam tape. In colder weather a heat gun may be used to expand foam tape. In the event that the precompressed tape has expanded larger than the inside diameter of the roof drain, the tape can be recompressed by hand.



STEP 3

Remove dome strainer and clamping ring. Per Roofing Manufacturer's recommendations, apply a bead of water-block on the drain flange (water-block supplied by Roofing Manufacturer). Bring roof membrane onto drain flange. Membrane should extend past drain clamping ring to insure membrane from slipping out. Install clamping ring and tighten so the water-block and membrane compress and form a watertight gasket. Do not tighten bolt greater than 100 torque inch pounds.

With all good roofing practice, all drains should be water tested to ensure existing drain system is free to facilitate water flow. Extended insert tubes are available for excessive insulation buildup.