

## ROOF ACCESS HATCHES

### EQUIPMENT ACCESS – DOUBLE LEAF

#### SPECIFICATIONS

**Material:**

- RB: 14 gauge galvanized steel cover and Curb
- RC: .090 Aluminum Cover and 14 gauge galvanized steel Curb
- RD: .090 Aluminum Cover and Curb

**Finish:**

- Galvanized Steel: Cool White Water Based Enamel Paint
- Aluminum: Mill Finish

**Cover:**

- RB: 14 gauge galvanized steel exterior with 22 gauge galvanized steel liner with 1" fiberglass insulation.
- RC & RD: Mill finish .090 aluminum exterior with .063 aluminum liner with 1" fiberglass insulation.

**Curb:**

- RB & RC: 14 gauge galvanized steel with a 12" high curb, integral counterflashing, 3½" wide mounting flanges with pre-drilled holes and 1" exterior fiberboard insulation
- RD: Mill finish .090 aluminum with a 12" high curb, integral counterflashing, 3½" wide mounting flanges with pre-drilled holes and 1" exterior fiberboard insulation

**Gasket:** Extruded EPDM rubber gasket adhered to cover

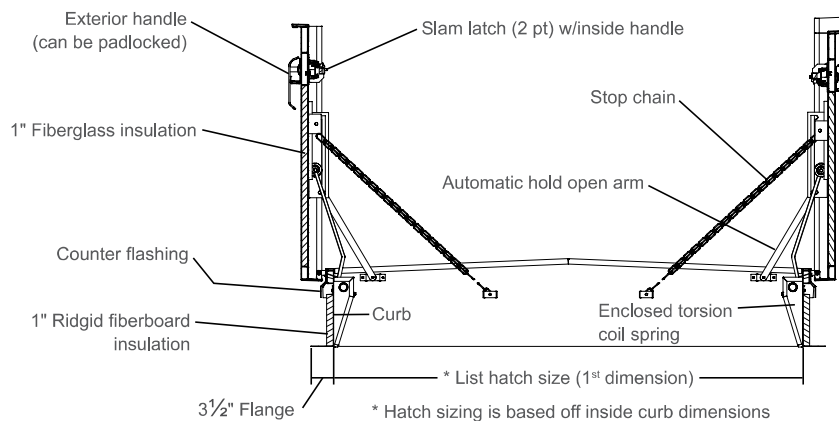
**Hinges:** Steel Pintle Hinge

**Lift Assist:** Cover operation is assisted by enclosed heavy-duty Torsion Coil Spring

**Latches:** Two-point slam latch system for tight, secure closure with interior and exterior handles and padlock hasps.

**Hardware:** All hardware is zinc plated (stainless steel hardware optional)

**Load Capacity:** 40 psf



Size	Galvanized Steel Cover and Curb		Aluminum Cover, Galvanized Curb		Aluminum Cover and Curb	
	Model No.	Lbs.	Model No.	Lbs.	Model No.	Lbs.
5'0" x 11'0"	RB-4	1831	RC-4	1220	RD-4	1055
6'0" x 11'0"	RB-5	2060	RC-5	1332	RD-5	1166
8'0" x 8'0"			RC-6	1220	RD-6	1055

# MILCOR.