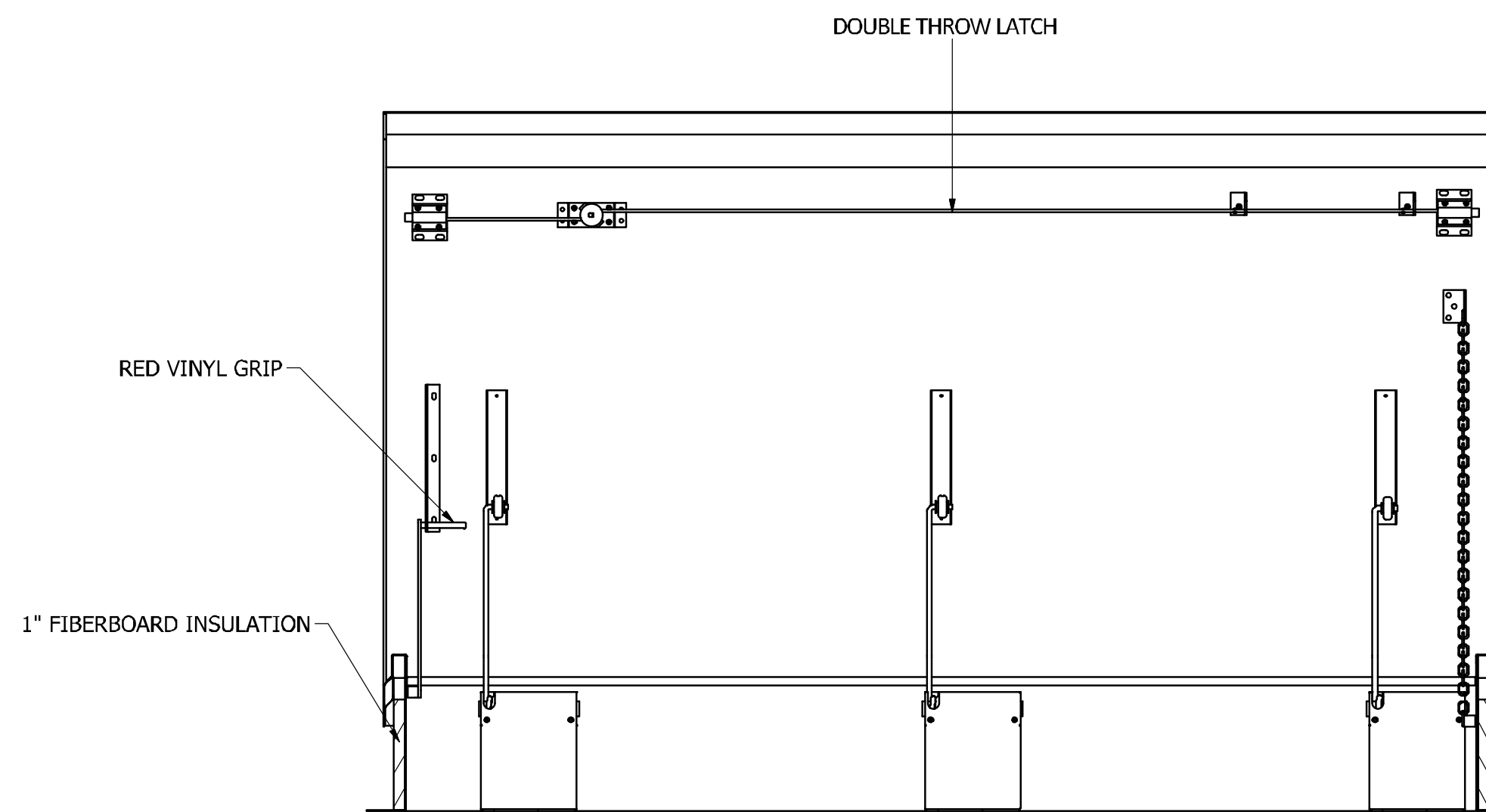
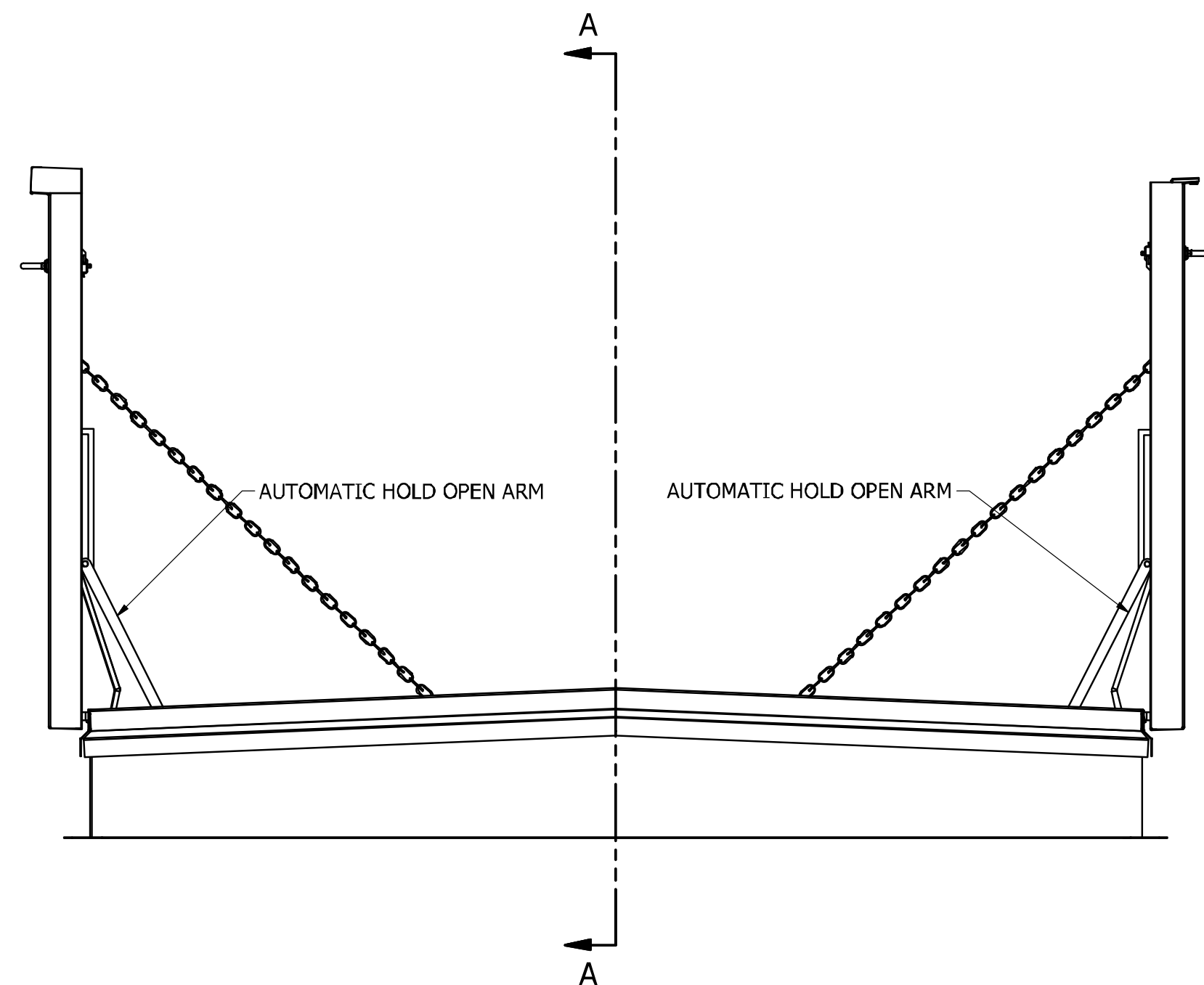


- NOTES:
 SIZE: RC-8'0"X8'0"
 1) 40psf COVER LIVE LOAD RATING
 2) MILL FINISH
 3) MATERIALS:
 .090 ALUMINUM, COVER
 14ga GALVANIZED, CURB
 14ga GALVANIZED, COUNTER FLASHING
 .063 ALUMINUM, COVER LINER



SECTION A-A

ORDER WILL NOT BE RELEASED FOR FABRICATION
UNTIL SIGNED COPY IS RECEIVED.

VERIFICATION AND APPROVAL OF GENERAL ARRANGEMENT AND
OVERALL DIMENSIONS FOR THIS DOCUMENT ARE REQUIRED BEFORE
THE ORDER IS ENTERED FOR MANUFACTURING.

APPROVAL SIGNATURE _____
 TITLE HELD _____
 DATE OF APPROVAL _____

DRAWN CMD	2/25/2015	Hart & Cooley Inc. Fax: 855-549-2674 www.hartandcooleyinc.com	
CHECKED	MILCOR	5030 Corporate Exchange Blvd. SE Grand Rapids, MI. 49512 Ph: 800-624-8642	
QA	TOLERANCE UNLESS SPECIFIED	TITLE	
MFG	.XXX ± 0.005"	RC-6 DOUBLE LEAF ROOF ASSEMBLY	
APPROVED	.XX ± 0.01"	SIZE	DWG NO
	FRACT. ± 1/16"	D	3501-228-9
	ANGLES ± 1°	SCALE	REV --
			SHEET 1 OF 1