



RD4000 | 15" DIA. ROOF DRAIN

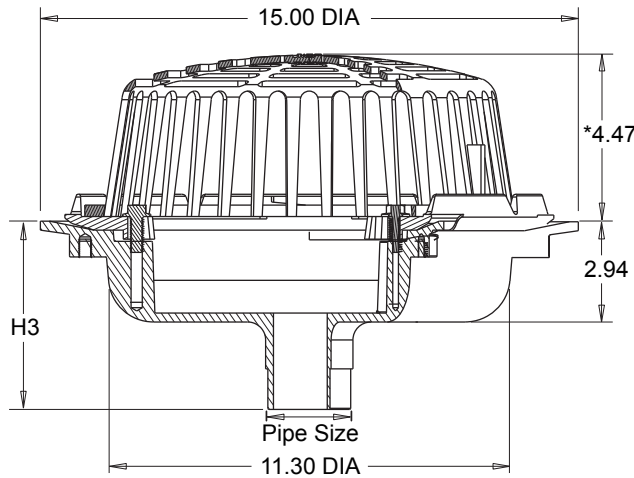
LOCATION:

For more information
Or to buy this product
Click here

Specification & Function

Specification: SUN® RD4000 15" diameter roof drain, epoxy coated cast iron body with combination membrane flashing clamp/gravel guard and low profile poly dome.

Function: Used on any type of flat roofs. Low profile dome prevents debris from entering the drain line. The anchor flange and membrane clamp provide a secure grip of membrane and roof flashing materials.



Outlet Type	Outlet Desig. Pipe Size	Body Height H3 (In.)
Inside Caulk	2IC, 3IC, 4IC, 6IC	5.30
	8IC	5.44
No Hub	2NH	5.25
	3NH, 4NH	4.60
	5NH, 6NH, 8NH	5.25
Δ Push On	2PO, 3PO, 4PO	4.60
	6PO	5.45
Threaded	2TH, 3TH, 4TH, 5TH, 6TH	3.75

* Dome height to be 5.00" when W4 is specified.

Pipe Size

SUFFIX	DESCRIPTION
<input type="checkbox"/> 2	2" (51) Pipe Size
<input type="checkbox"/> 3	3" (76) Pipe Size
<input type="checkbox"/> 4	4" (102) Pipe Size
<input type="checkbox"/> 5	5" (127) Pipe Size
<input type="checkbox"/> 6	6" (152) Pipe Size
<input type="checkbox"/> 8	8" (203) Pipe Size

Outlet Type

SUFFIX	DESCRIPTION
<input type="checkbox"/> IC	Inside Caulk
<input type="checkbox"/> NH	No Hub
<input type="checkbox"/> ΔPO	Push On
<input type="checkbox"/> TH	Threaded (2" - 6")

Options

SUFFIX	OPTIONAL VARIATIONS
<input type="checkbox"/> -AD	Aluminum Dome
<input type="checkbox"/> -AE	Adjustable Extension
<input type="checkbox"/> -AR	Acid Resistant Epoxy Coated
<input type="checkbox"/> -C	Underdeck Clamp
<input type="checkbox"/> -CID	Cast Iron Dome
<input type="checkbox"/> -D	2" External Water Dam
<input type="checkbox"/> -DP	Top Mount Deck Plate
<input type="checkbox"/> -G	Galvanized Cast Iron
<input type="checkbox"/> -GD	Galvanized Cast Iron Dome
<input type="checkbox"/> -GG	4" High SS Perforated Gravel Guard
<input type="checkbox"/> -R	Roof Sump Receiver
<input type="checkbox"/> ** -W4	4" High Internal Water Dam
<input type="checkbox"/> -2PE	2" High SS Perforated Extension
<input type="checkbox"/> -4PE	4" High SS Perforated Extension
<input type="checkbox"/> -90	Side Outlet Body (Threaded 2", 3", 4" only)
<input type="checkbox"/> -90N	90° No Hub Side Outlet Body (2" - 4" Only)
<input type="checkbox"/> -SS	Stainless Steel Mesh Dome
<input type="checkbox"/> -VR	Vandal Resistant Dome

** 4" High Internal Waterdam can be cut by others to 3" or 2" water dam height as marked on standpipe.

Δ Not recommended for Roof Drain applications.

Pipe Size (In.)	Approx. Wt. Lbs.	Dome Open Area Sq. In.
2 -3 - 4	28	105.36
5 - 6	28	
8	25	

PROJECT:

CONTRACTOR:

WARNING: Cancer and Reproductive Harm - www.P65Warnings.ca.gov.

ADVERTENCIA: Cáncer y daño a la reproducción - www.P65Warnings.ca.gov.

AVERTISSEMENT: Cancer et effets sur la Reproductive - www.P65Warnings.ca.gov. SUN reserves the right to make changes in material and design without formal notice and obligation.

Rev. D

Date: 02/15/2019