

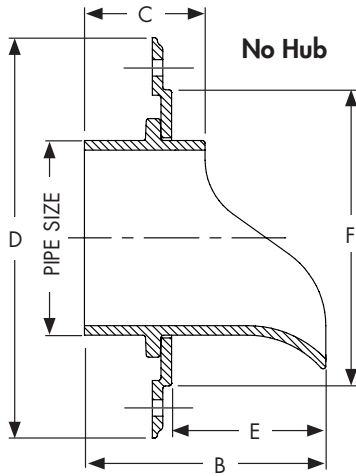
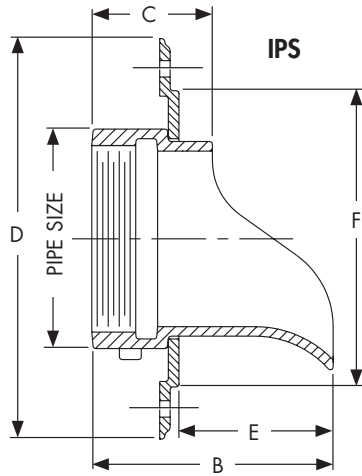


**RD-940**

Tag: \_\_\_\_\_

**Downspout Nozzle**

**SPECIFICATION:** Watts Drainage Products RD-940 cast nickel bronze downspout nozzle with anchor flange, countersunk mounting holes, and IPS threaded (standard), no hub, or push-on connection.

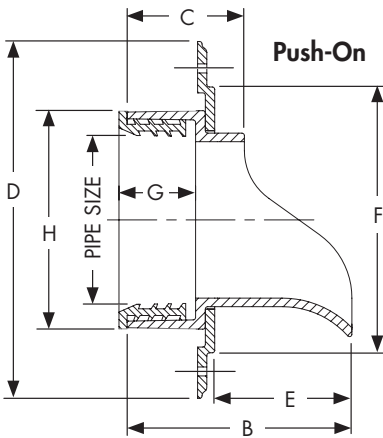


**Options**

Suffix	Description	
-83	Stainless Steel Bird Screen	<input type="checkbox"/>
-NH	No Hub No Add	<input type="checkbox"/>
-P	Push-on Connection (3,4,6" Only) No Add	<input type="checkbox"/>

**IPS THREADED CONNECTION**

Model	Pipe Size	B	C	D	E	F
RD-942	2" (51)	5-1/4" (133)	2-1/4" (57)	6-3/4" (171)	3-1/2" (89)	4-3/4" (121)
RD-943	3" (80)	5-1/4" (133)	2-1/2" (63)	8-1/4" (210)	3-1/2" (89)	6-3/8" (162)
RD-944	4" (100)	5-1/4" (133)	2-3/4" (70)	9-1/8" (232)	3-1/2" (89)	7" (178)
RD-946	6" (152)	5-1/4" (133)	2-3/4" (70)	11-3/8" (289)	3-1/2" (89)	9" (229)
RD-948	8" (200)	6" (152)	3" (76)	12-1/2" (318)	4" (102)	11" (279)



**NO HUB CONNECTION**

Model	Pipe Size	B	C	D	E	F
RD-942-NH	2" (51)	5-1/4" (133)	2-1/4" (57)	6-3/4" (171)	3-1/2" (89)	4-3/4" (121)
RD-943-NH	3" (80)	5-1/4" (133)	2-1/2" (63)	8-1/4" (210)	3-1/2" (89)	6-3/8" (162)
RD-944-NH	4" (100)	5-1/4" (133)	2-3/4" (70)	9-1/8" (232)	3-1/2" (89)	7" (178)
RD-945-NH	5" (130)	5-1/4" (133)	3" (76)	9-1/4" (235)	3-3/8" (86)	7-1/4" (184)
RD-946-NH	6" (152)	5-1/4" (133)	2-3/4" (70)	11-3/8" (289)	3-1/2" (89)	9" (229)
RD-948-NH	8" (200)	6" (152)	3" (76)	12-1/2" (318)	4" (102)	11" (279)
RD-9410-NH	10" (250)	5-3/4" (146)	3" (76)	15-1/4" (387)	3-3/4" (95)	13-1/16" (332)
RD-9412-NH	12" (305)	6" (152)	3-1/4" (83)	17-1/4" (438)	3-3/4" (95)	15-1/16" (383)

**PUSH-ON CONNECTION**

Model	Pipe Size	B	C	D	E	F	G	H
RD-943P	3" (80)	5-3/4" (146)	3" (80)	8-1/4" (210)	3-1/2" (89)	6" (152)	1-3/4" (44)	4-3/4" (121)
RD-944P	4" (100)	5-3/4" (146)	3" (80)	9-1/8" (232)	3-1/2" (89)	6-3/4" (171)	1-3/4" (44)	5-3/4" (146)
RD-946P	6" (152)	6" (152)	3-3/4" (95)	11-3/8" (289)	3-1/2" (89)	8-3/4" (171)	2" (51)	7-3/4" (197)

Job Name \_\_\_\_\_ Contractor \_\_\_\_\_

Job Location \_\_\_\_\_ Contractor's P.O. No. \_\_\_\_\_

Engineer \_\_\_\_\_ Representative \_\_\_\_\_

WATTS Drainage reserves the right to modify or change product design or construction without prior notice and without incurring any obligation to make similar changes and modifications to products previously or subsequently sold. See your WATTS Drainage representative for any clarification. Dimensions are subject to manufacturing tolerances.



Distributed by: **BEST MATERIALS LLC, Phoenix AZ**  
 Ph: 800-474-7570, 602-272-8128 Fx: 602-272-8014  
[www.BestMaterials.com](http://www.BestMaterials.com) Email: [Sales@BestMaterials.com](mailto:Sales@BestMaterials.com)