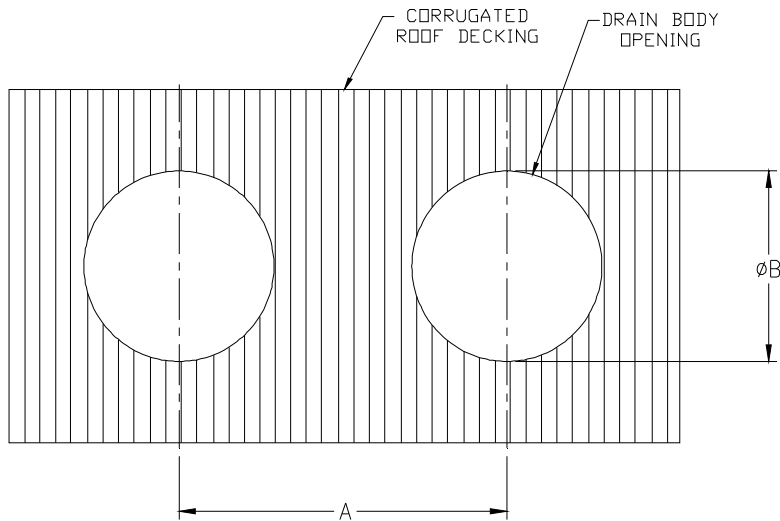
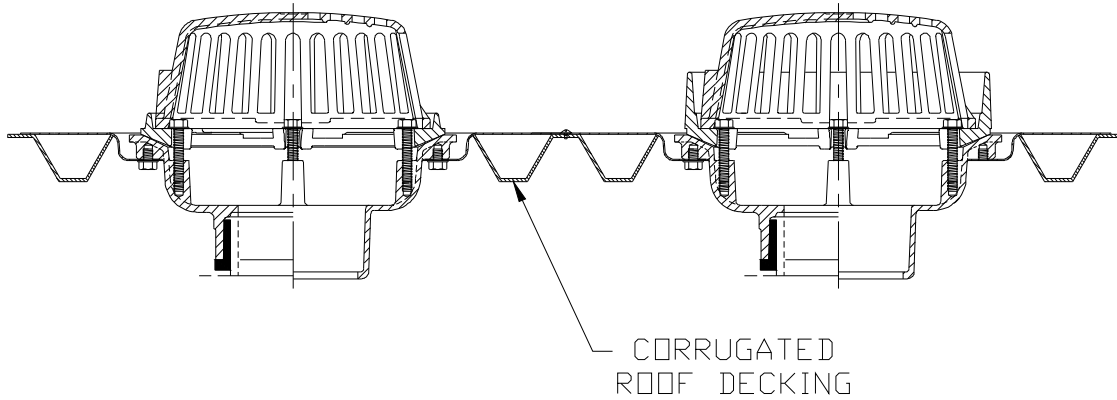




TYPICAL INSTALLATION FOR
Z163, Z164, Z165
 COMBINATION MAIN ROOF AND OVERFLOW DRAIN

Dimensional Data (inches and [mm]) are Subject to Manufacturing Tolerances and Change Without Notice



	A	ØB
Z163	24 [610]	16-1/2 [419]
Z164	20 [508]	13-1/2 [343]
Z165	16 [406]	10 [254]

Z163, Z164, Z165

COMBINATION MAIN ROOF AND OVERFLOW DRAINS

Drain installed in a typical corrugated roof decking application. All four sides and middle of deck plate must be supported adequately, subject to the approval of the project's structural engineer.

Form # RD96	Date: 09/13/12	C.N. No. 124723	Rev.
-------------	----------------	-----------------	------

ZURN INDUSTRIES, LLC. ♦ SPECIFICATION DRAINAGE OPERATION ♦ 1801 Pittsburgh Ave. ♦ Erie, PA 16514

Distributed by: **BEST MATERIALS®** Ph: 800-474-7570, 602-272-8128
www.BestMaterials.com Email: Sales@BestMaterials.com