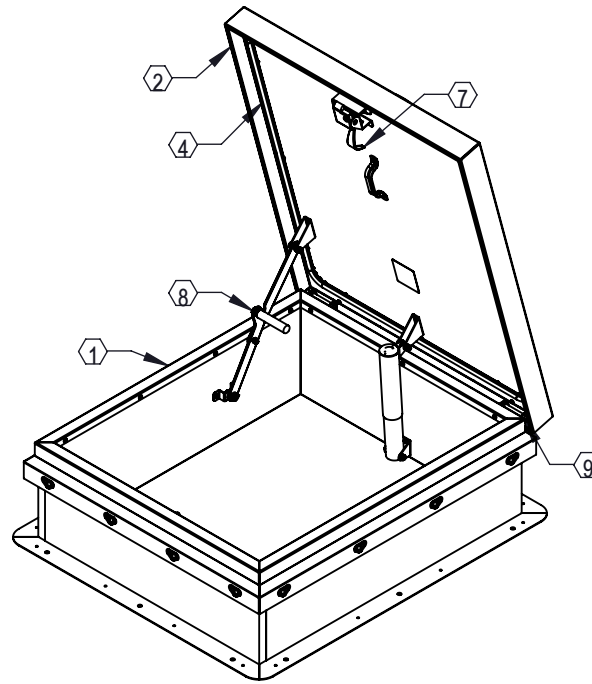
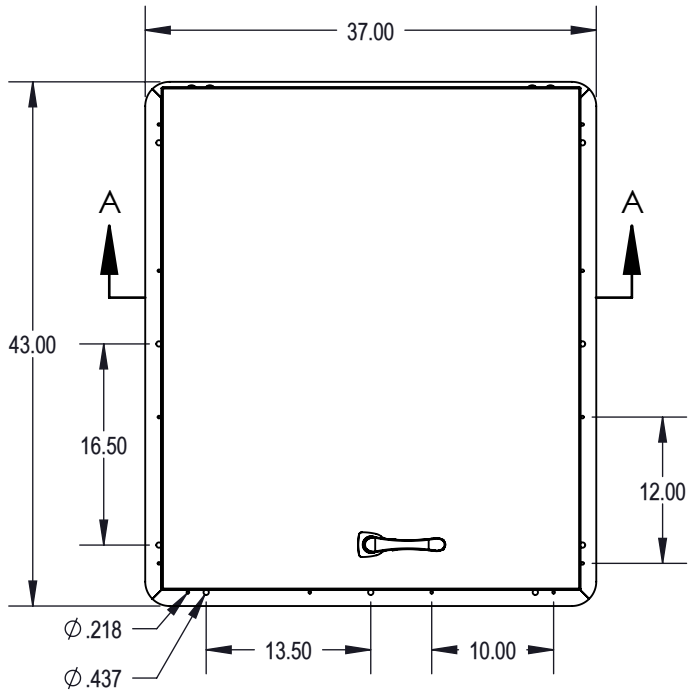


**ROOF HATCH - Diamond Series™** - ROOF HATCH, DIAMOND SERIES 36 X 30 (RHA-1) | ALUM, MILL FINISH

Dist. by: **BEST MATERIALS®** | Ph: 800-474-7570 | [www.BestMaterials.com](http://www.BestMaterials.com) | Email: [Sales@BestMaterials.com](mailto:Sales@BestMaterials.com)

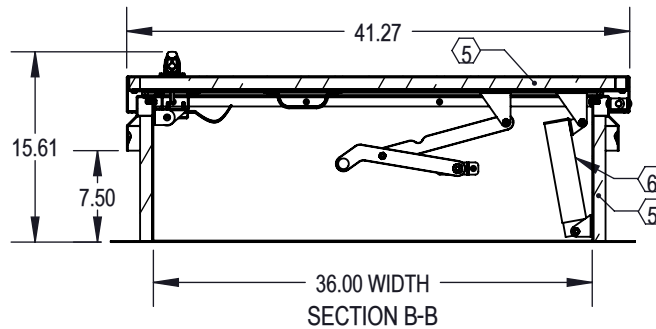
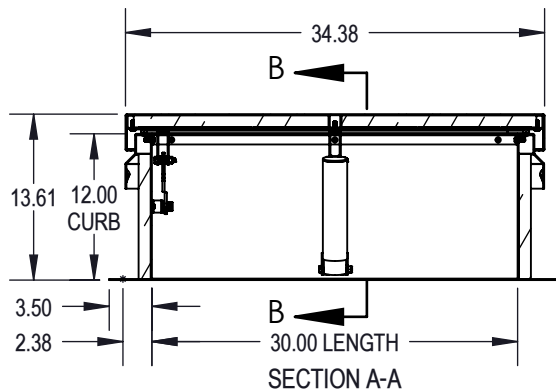
**SPECIFICATIONS:**



1. Curb: 11 gauge mill finish aluminum single wall curb and counterflashing with Diamond Grip.
2. Cover: 11 gauge aluminum formed, welded cover with 18 gauge liner, tested to support a live load of 40psf.
3. Finish: Mill Finish Aluminum
4. Gasket: Continuous, weatherproof EPDM sponge rubber adhesive-backed seal.
5. Insulation: 1" polyisocyanurate in curb and cover with thermal resistance R-6.
6. Spring: Counterbalanced compression springs contained in clear zinc-plated steel cylinders.
7. Latch: Clear zinc-plated steel slam latch with inside and outside handles and padlock hasps.
8. Hold Open Arm: Clear zinc-plated automatic locking hold open arm with red vinyl grip for one handed door operation.
9. Hinge: Heavy duty clear zinc-plated steel pintle hinge.

Notes:  
 For pitched roofs up to 7:12, mount hinge side parallel to slope.  
 Door opens 75°  
 Clear Opening: 25" X 24"  
 Weight: 68 lbs

Diamond Series™ is a trademark of Activar Construction Products Group Inc.



**MODEL #:** RHDA-1



9702 Newton Ave S. Bloomington, MN 55431 | 10 Locations Nationwide

800-554-6077 952-835-2218 sales@activarcpg.com www.activarcpg.com

Distributor:		Project:	
Contractor:		Approved By:	
Date:	Quantity:	Architect:	
Scale: 1:16	Pages: 1 OF 1	Drawing #:	RHDA-1-SUBMITTAL_A