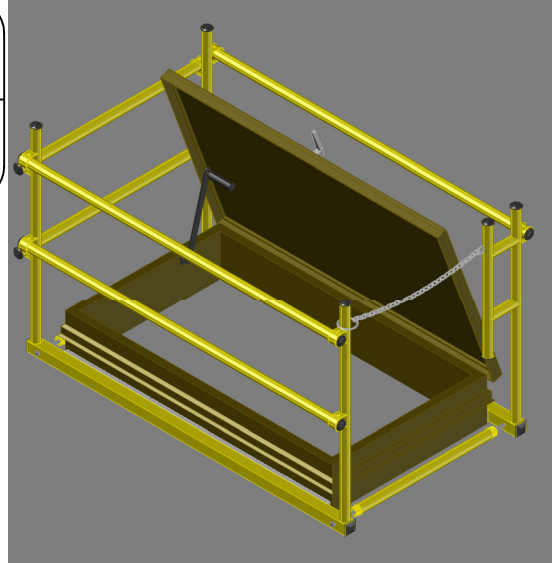
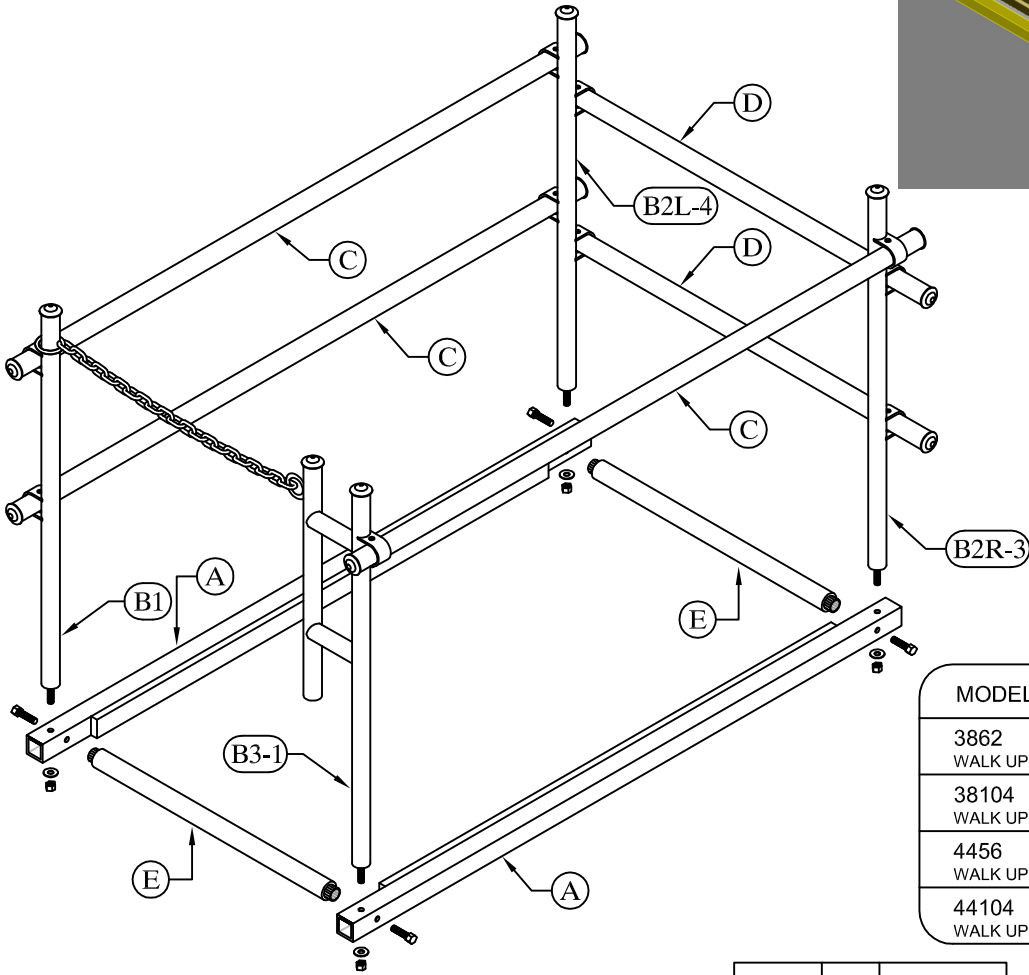




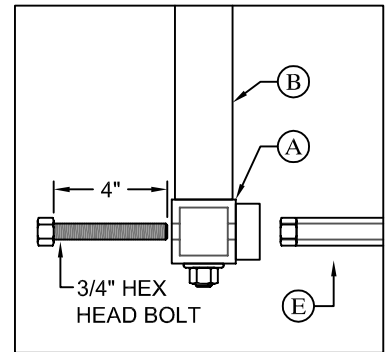
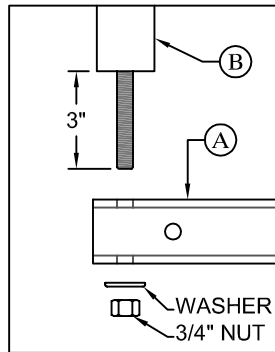
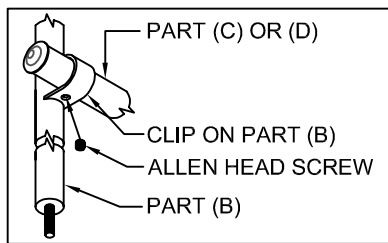
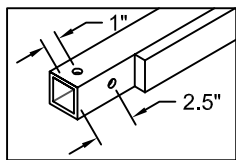
# Hatch Safety Guard-Rail



Hatch shown for reference only



MODEL	NET OPENING	WEIGHT
3862 WALK UP	30" x 54"	75 lbs
38104 WALK UP	30" x 96"	95 lbs
4456 WALK UP	36" x 48"	70 lbs
44104 WALK UP	36" x 96"	100 lbs



### Typical Installation:

Field customize to fit existing conditions or as specified herein. Set curb framing gasket (A) & (E) around roof opening flush to hatch counter flashing. Tighten to fit opening, locate (E) part as close to front base flashing as possible. Add the four corner post (B1) & (B3-1) front and (B2L-4) (B2R-3) rear into receiver and bolt into frame. Install cross rails (C) sides and (D) rear into preset clamps and level adjust with wrench. Add chain (F) or gate as specified by manufacture. Check and tighten all clamps and nuts.