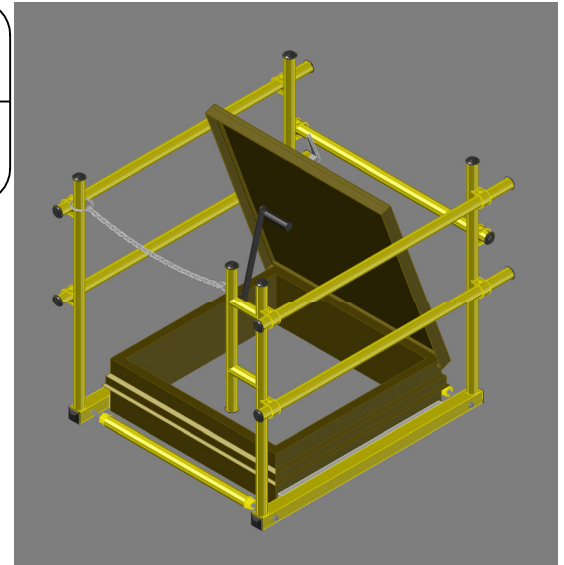




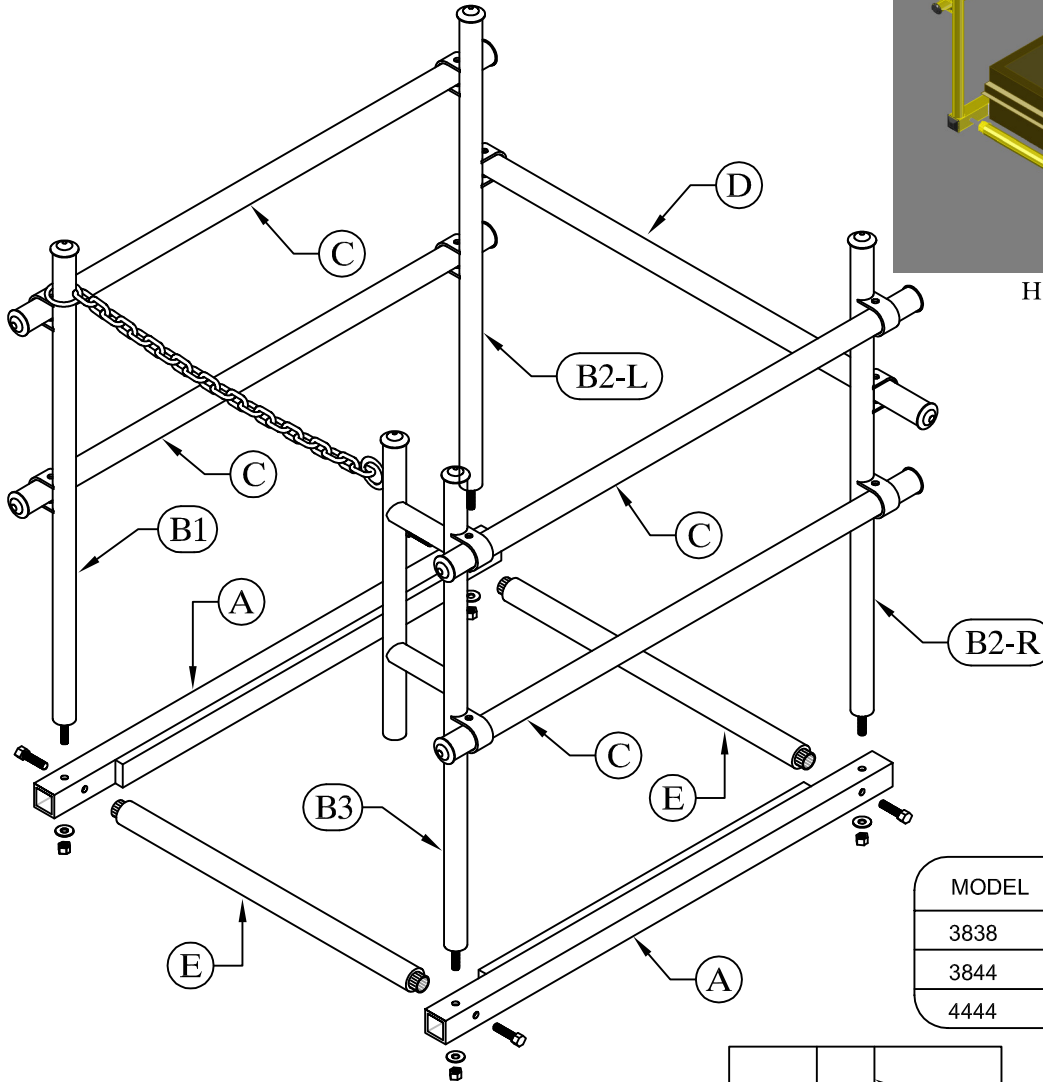
# Hatch Safety Guard-Rail

P.O. Box 1671 Tomball, Tx. 77377

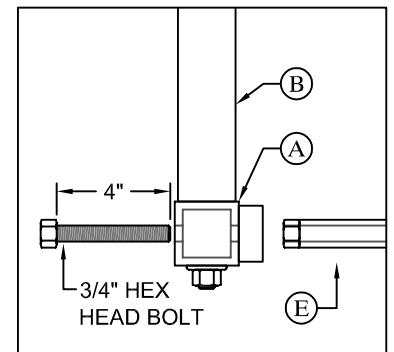
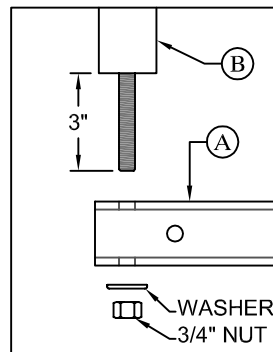
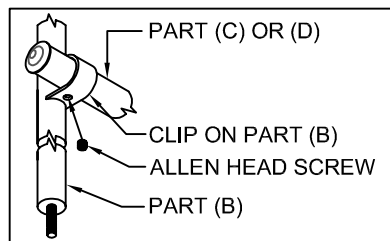
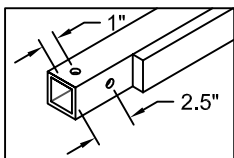
Distributed by: **Best Materials LLC**  
 Phone: **800-474-7570, 602.272.8128**  
[www.bestmaterials.com](http://www.bestmaterials.com) Email: [sales@bestmaterials.com](mailto:sales@bestmaterials.com)



Hatch shown for reference only



MODEL	NET OPENING	WEIGHT
3838	30" x 30"	63 lbs
3844	30" x 36"	65 lbs
4444	36" x 36"	68 lbs



### Typical Installation:

Field customize to fit existing conditions or as specified herein. Set curb framing gasket (A) & (E) around roof opening flush to hatch counter flashing. Tighten to fit opening, locate (E) part as close to front base flashing as possible. Add the four corner post (B1)&(B3) front and (B2-L) (B2-R) rear into receiver and bolt into frame. Install cross rails (C) sides and (D) rear into preset clamps and level adjust with wrench. Add chain (F) or gate as specified by manufacture. Check and tighten all clamps and nuts.