

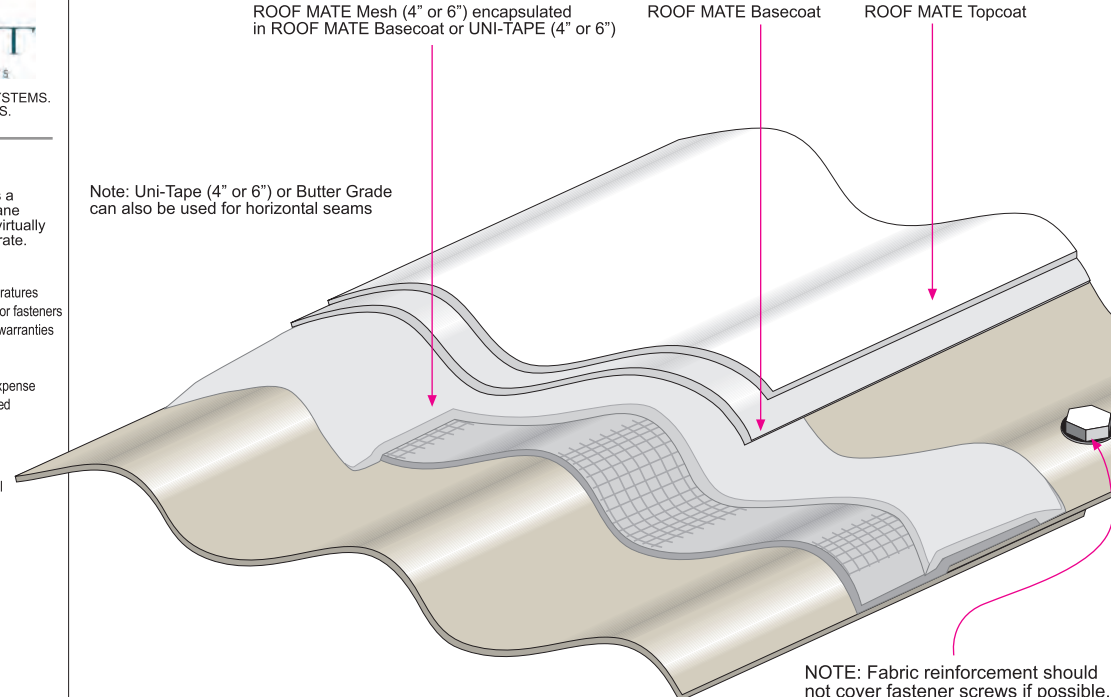
QUEST
CONSTRUCTION PRODUCTS

MORE THAN COATINGS AND SYSTEMS.
SUSTAINABLE SOLUTIONS.

ROOF MATE

Sustainable roof coating forms a durable waterproofing membrane designed to extend the life of virtually any new or existing roof substrate.

- Reflects 85+% of the sun's rays
- Dramatically reduces interior temperatures
- Monolithic, liquid-applied; no seams or fasteners
- Fully sustainable 5, 10 and 15 year warranties
- Apply to virtually any roof substrate
- Reduces "Heat Island" effect
- Tax deductible as a maintenance expense
- UL, FM, CRRC, ENERGY STAR® listed
- Miami-Dade County Product Control Approved
NOA 09-0223.11
Expiration Date 04/01/14
- Classified cool construction material



ROOF MATE Mesh (4" or 6") encapsulated in ROOF MATE Basecoat or UNI-TAPE (4" or 6")


ROOF MATE Basecoat

ROOF MATE Topcoat

Note: Uni-Tape (4" or 6") or Butter Grade can also be used for horizontal seams

NOTE: Fabric reinforcement should not cover fastener screws if possible. Cut fabric away over any reinforcement screws so that it lays flat and is 100% adhered to the substrate.

Title:
ROOF MATE
Corrugated Metal Horizontal End-Lap Seam
Version: 01 Supersedes 04/18/06 Date: 06/14/07



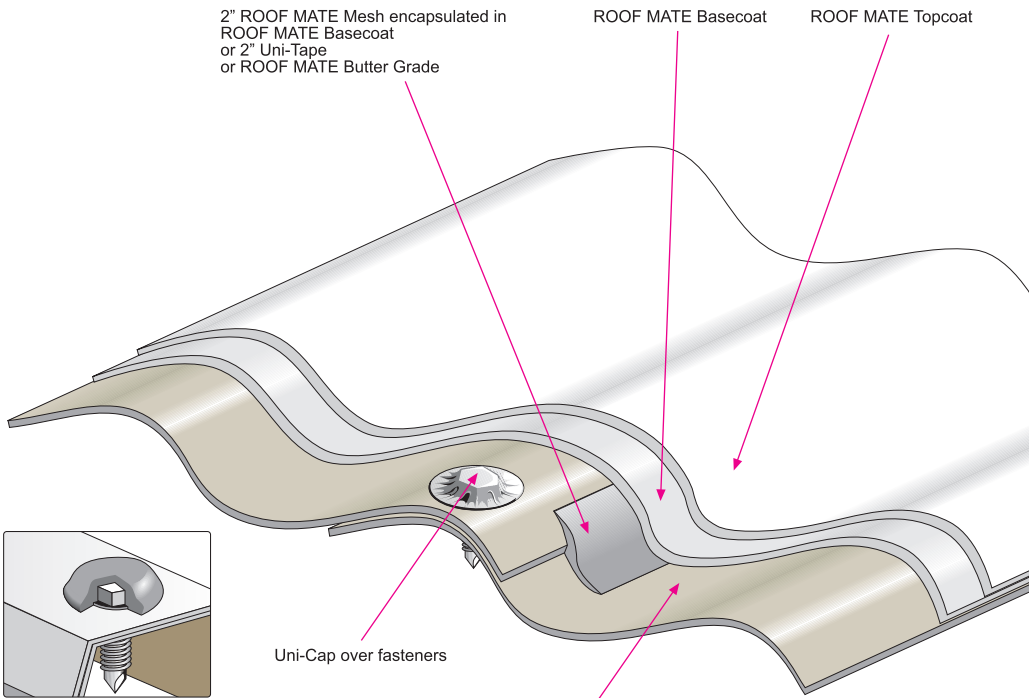
QUEST
CONSTRUCTION PRODUCTS

MORE THAN COATINGS AND SYSTEMS.
SUSTAINABLE SOLUTIONS.

ROOF MATE

Sustainable roof coating forms a durable waterproofing membrane designed to extend the life of virtually any new or existing roof substrate.

- Reflects 85+% of the sun's rays
- Dramatically reduces interior temperatures
- Monolithic, liquid-applied; no seams or fasteners
- Fully sustainable 5, 10 and 15 year warranties
- Apply to virtually any roof substrate
- Reduces "Heat Island" effect
- Tax deductible as a maintenance expense
- UL, FM, CRRC, ENERGY STAR® listed
- Miami-Dade County Product Control Approved
NOA 09-0223.11
Expiration Date 04/01/14
- Classified cool construction material



2" ROOF MATE Mesh encapsulated in ROOF MATE Basecoat or 2" Uni-Tape or ROOF MATE Butter Grade

ROOF MATE Basecoat

ROOF MATE Topcoat

Uni-Cap over fasteners

ROOF MATE Butter Grade over fasteners (option to UNI-CAPS)

Metal Substrate

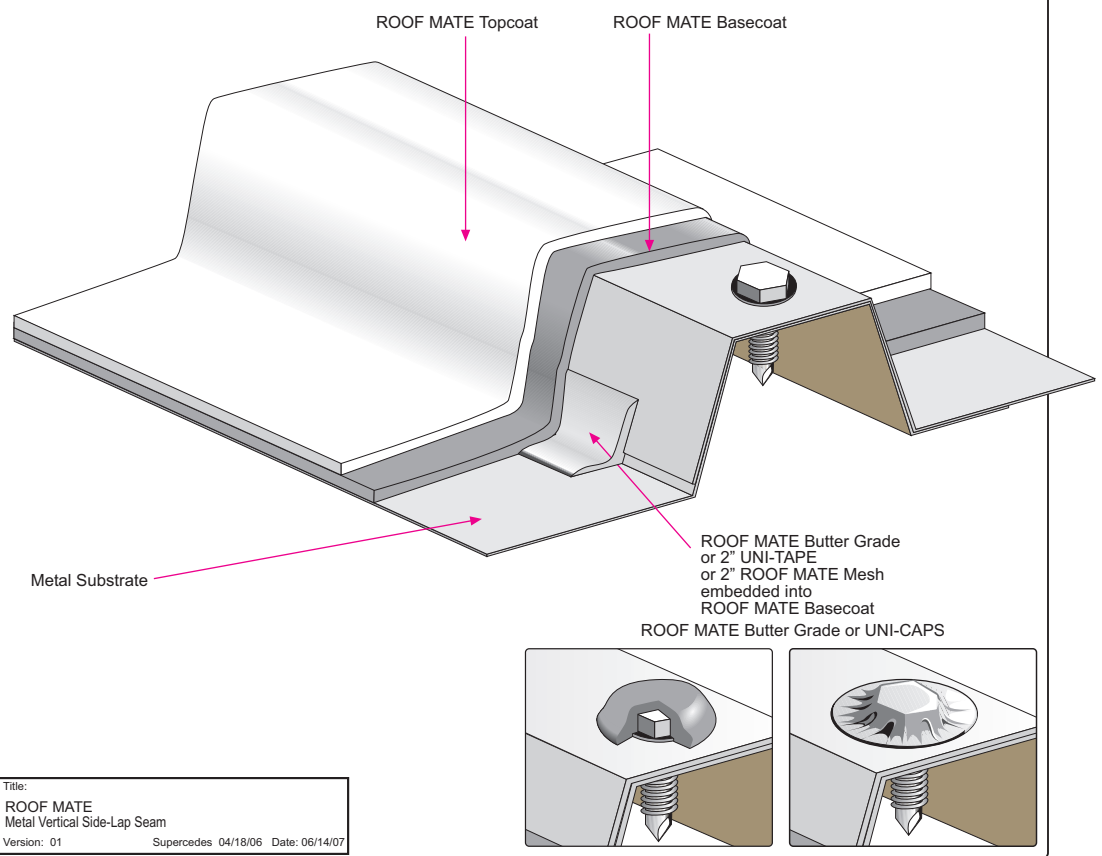
Title:
ROOF MATE
Corrugated Metal Vertical Side-Lap Seam
Version: 01 Supersedes 04/18/06 Date: 06/14/07



ROOF MATE

Sustainable roof coating forms a durable waterproofing membrane designed to extend the life of virtually any new or existing roof substrate.

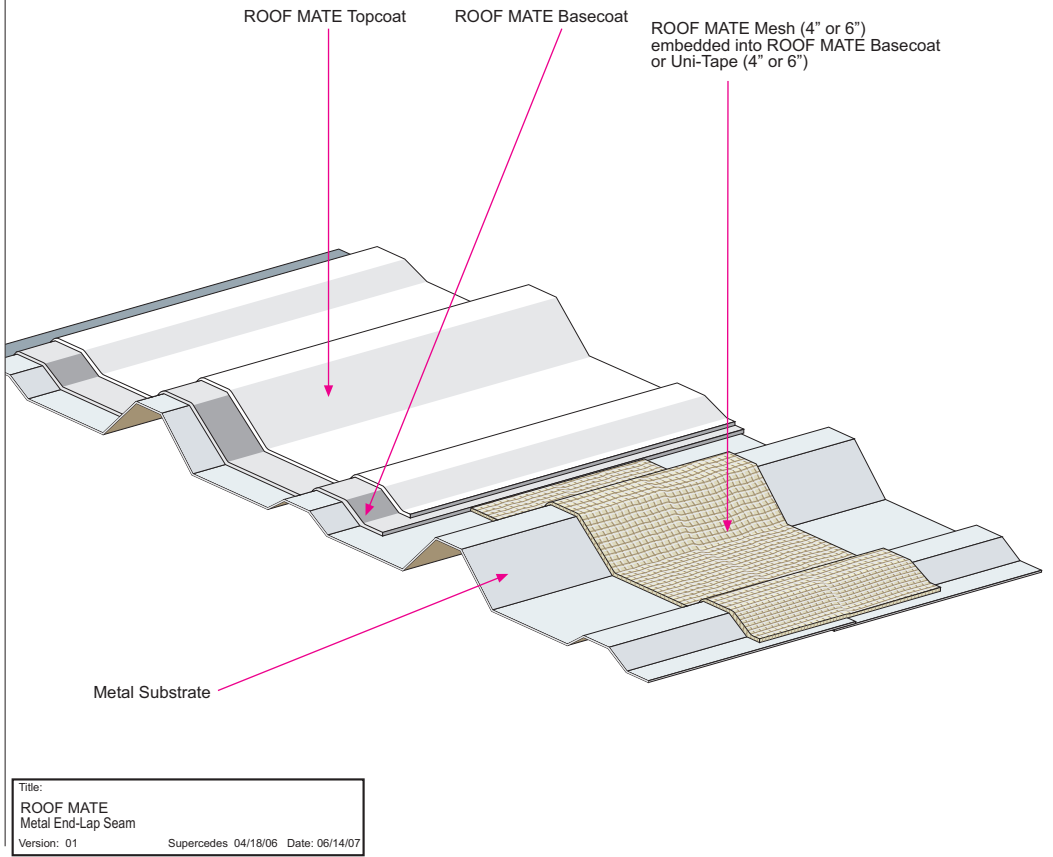
- Reflects 85+% of the sun's rays
- Dramatically reduces interior temperatures
- Monolithic, liquid-applied, no seams or fasteners
- Fully sustainable 5, 10 and 15 year warranties
- Apply to virtually any roof substrate
- Reduces "Heat Island" effect
- Tax deductible as a maintenance expense
- UL, FM, CRRC, ENERGY STAR® listed
- Miami-Dade County Product Control Approved
NOA 09-0223.11
Expiration Date 04/01/14
- Classified cool construction material




ROOF MATE

Sustainable roof coating forms a durable waterproofing membrane designed to extend the life of virtually any new or existing roof substrate.

- Reflects 85+% of the sun's rays
- Dramatically reduces interior temperatures
- Monolithic, liquid-applied; no seams or fasteners
- Fully sustainable 5, 10 and 15 year warranties
- Apply to virtually any roof substrate
- Reduces "Heat Island" effect
- Tax deductible as a maintenance expense
- UL, FM, CRRC, ENERGY STAR® listed
- Miami-Dade County Product Control Approved
NOA 09-0223.11
Expiration Date 04/01/14
- Classified cool construction material





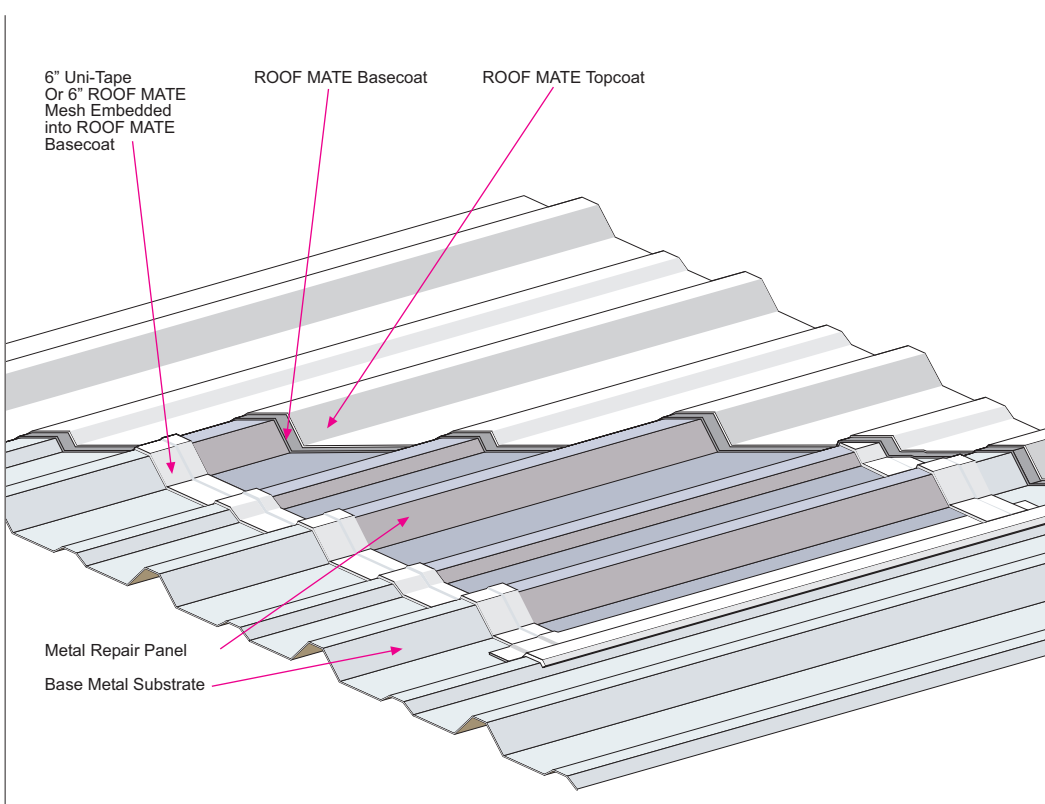
QUEST
CONSTRUCTION PRODUCTS

MORE THAN COATINGS AND SYSTEMS.
SUSTAINABLE SOLUTIONS.

ROOF MATE

Sustainable roof coating forms a durable waterproofing membrane designed to extend the life of virtually any new or existing roof substrate.

- Reflects 85+% of the sun's rays
- Dramatically reduces interior temperatures
- Monolithic, liquid-applied; no seams or fasteners
- Fully sustainable 5, 10 and 15 year warranties
- Apply to virtually any roof substrate
- Reduces "Heat Island" effect
- Tax deductible as a maintenance expense
- UL, FM, CRRC, ENERGY STAR® listed
- Miami-Dade County Product Control Approved
NOA 09-0223.11
Expiration Date 04/01/14
- Classified cool construction material



6" Uni-Tape
Or 6" ROOF MATE
Mesh Embedded
into ROOF MATE
Basecoat

ROOF MATE Basecoat


ROOF MATE Topcoat

Metal Repair Panel

Base Metal Substrate

Title:
ROOF MATE
Metal Repair

Version: 01 Supersedes 04/18/06 Date: 06/14/07



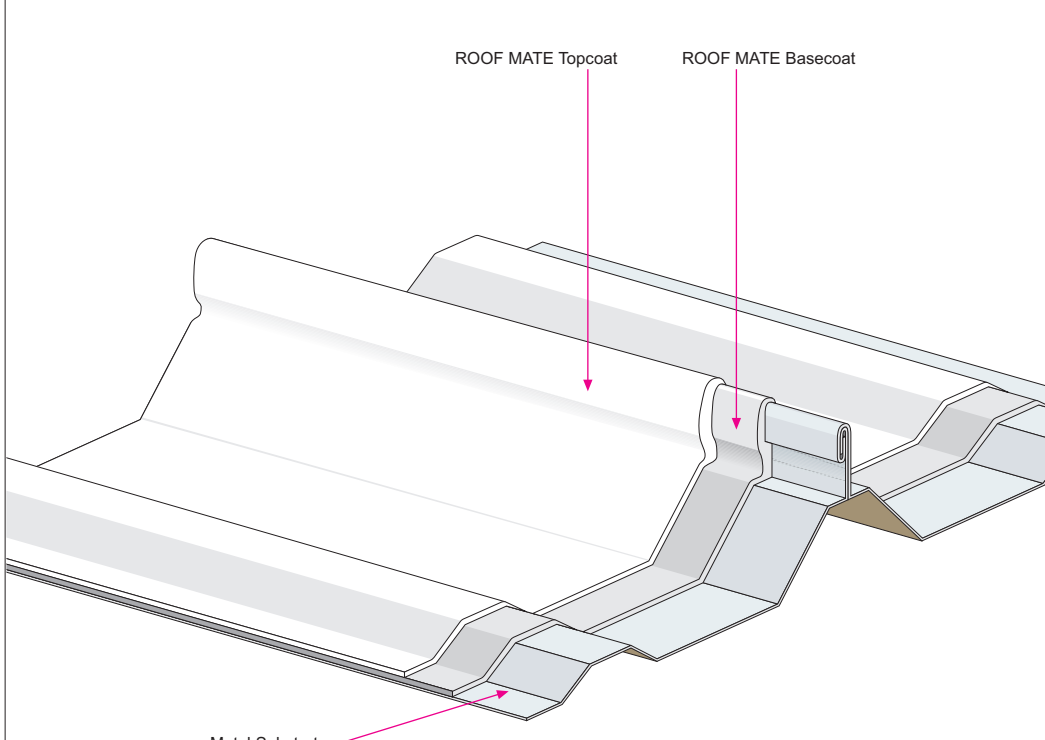
QUEST
CONSTRUCTION PRODUCTS

MORE THAN COATINGS AND SYSTEMS.
SUSTAINABLE SOLUTIONS.

ROOF MATE

Sustainable roof coating forms a durable waterproofing membrane designed to extend the life of virtually any new or existing roof substrate.

- Reflects 85+% of the sun's rays
- Dramatically reduces interior temperatures
- Monolithic, liquid-applied; no seams or fasteners
- Fully sustainable 5, 10 and 15 year warranties
- Apply to virtually any roof substrate
- Reduces "Heat Island" effect
- Tax deductible as a maintenance expense
- UL, FM, CRRC, ENERGY STAR® listed
- Miami-Dade County Product Control Approved
NOA 09-0223.11
Expiration Date 04/01/14
- Classified cool construction material



ROOF MATE Topcoat

ROOF MATE Basecoat

Metal Substrate

Title:
ROOF MATE
Rolled Metal Seam w/ Basecoat & Topcoat

Version: 01 Supersedes 04/18/06 Date: 06/14/07



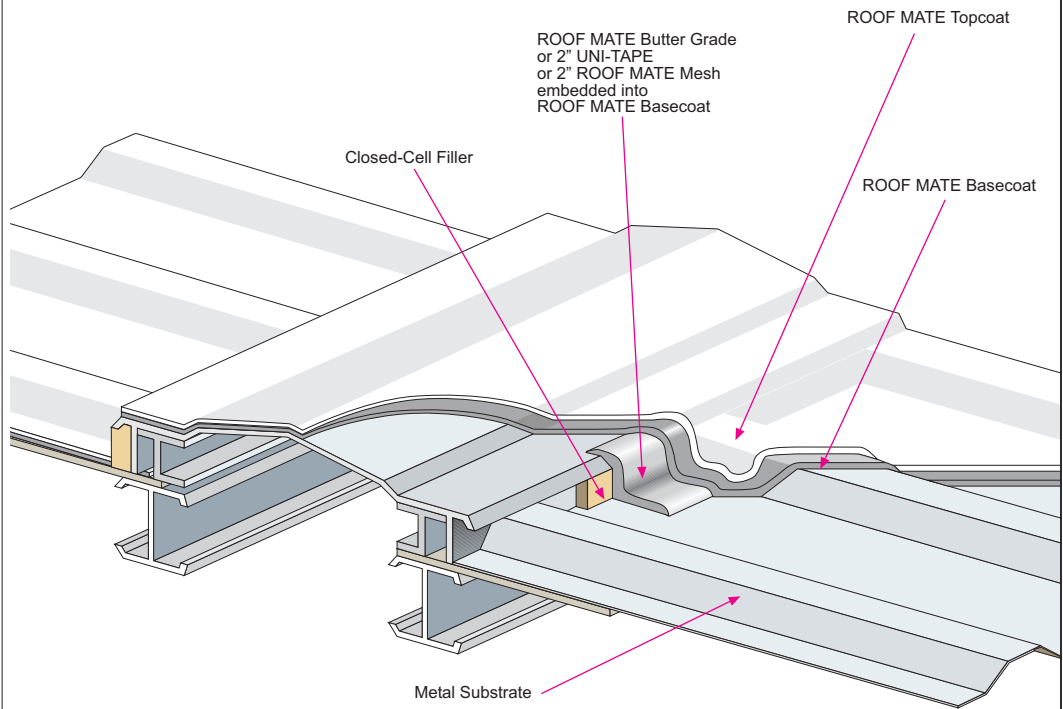
QUEST
CONSTRUCTION PRODUCTS

MORE THAN COATINGS AND SYSTEMS.
SUSTAINABLE SOLUTIONS.

ROOF MATE

Sustainable roof coating forms a durable waterproofing membrane designed to extend the life of virtually any new or existing roof substrate.

- Reflects 85+% of the sun's rays
- Dramatically reduces interior temperatures
- Monolithic, liquid-applied; no seams or fasteners
- Fully sustainable 5, 10 and 15 year warranties
- Apply to virtually any roof substrate
- Reduces "Heat Island" effect
- Tax deductible as a maintenance expense
- UL, FM, CRRC, ENERGY STAR® listed
- Miami-Dade County Product Control Approved
NOA 09-0223.11
Expiration Date 04/01/14
- Classified cool construction material



Title:
ROOF MATE
 Elevated Metal Ridge Cap
 Version: 01 Supercedes 04/18/06 Date: 06/14/07



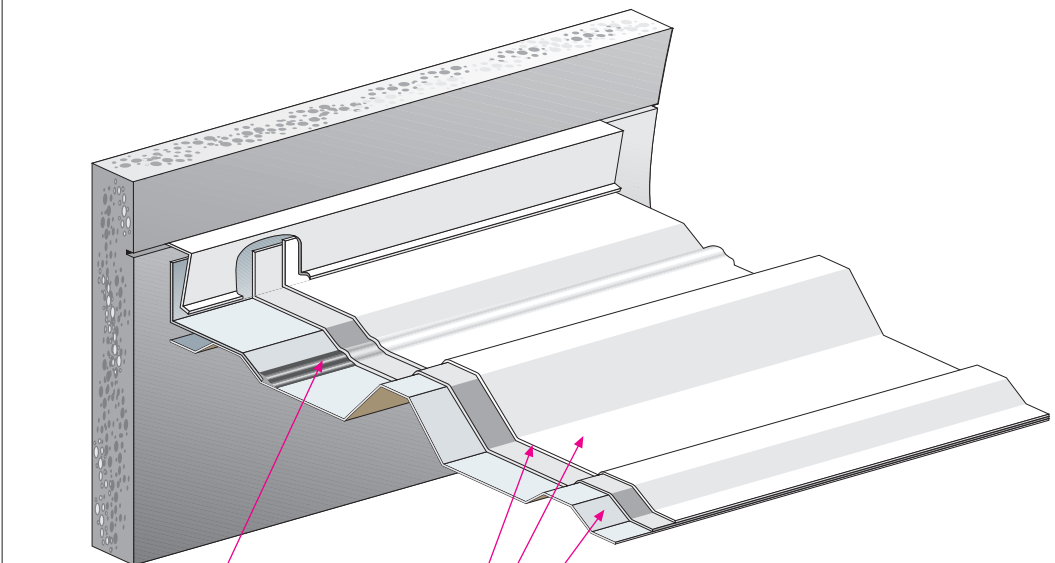
QUEST
CONSTRUCTION PRODUCTS

MORE THAN COATINGS AND SYSTEMS.
SUSTAINABLE SOLUTIONS.

ROOF MATE

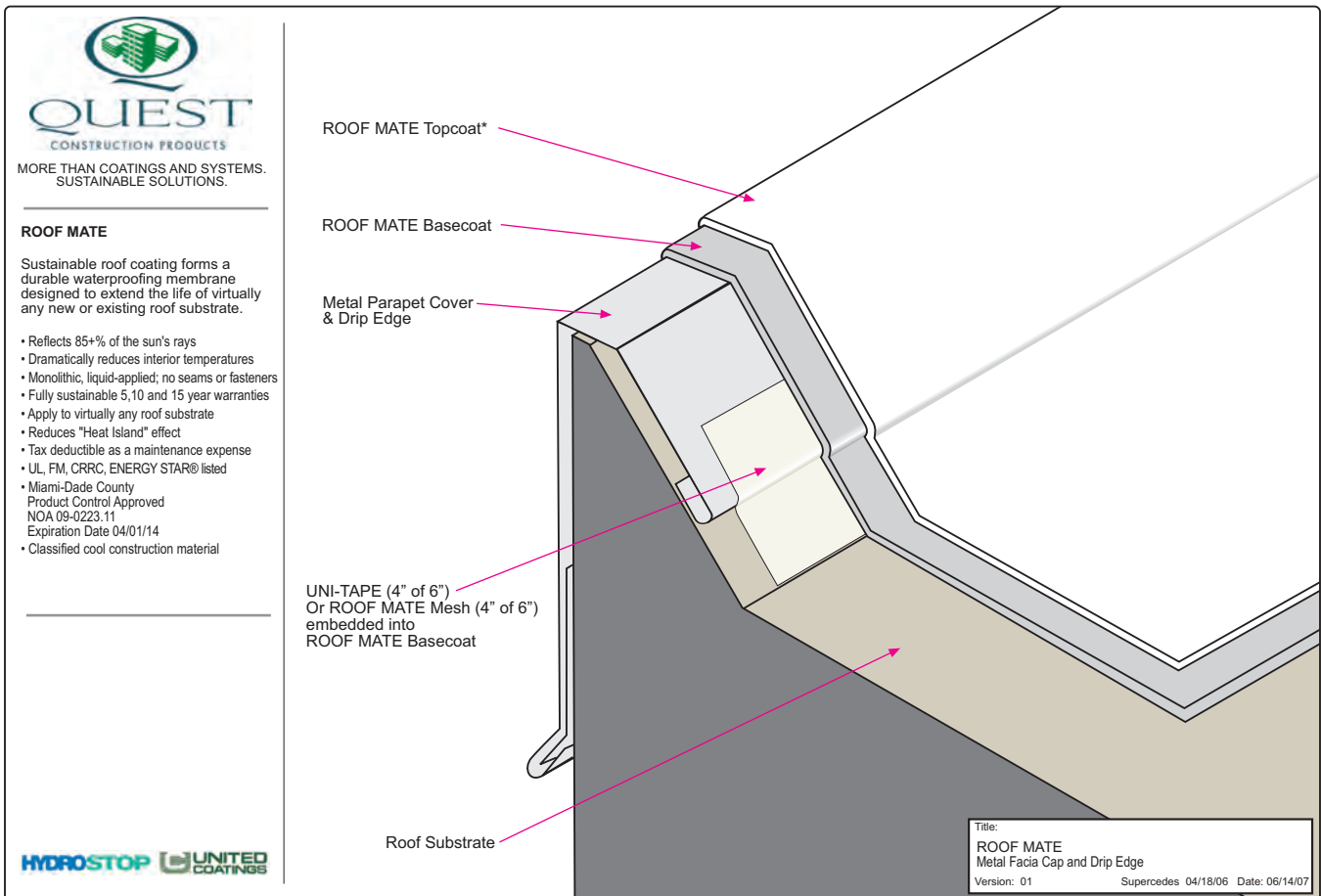
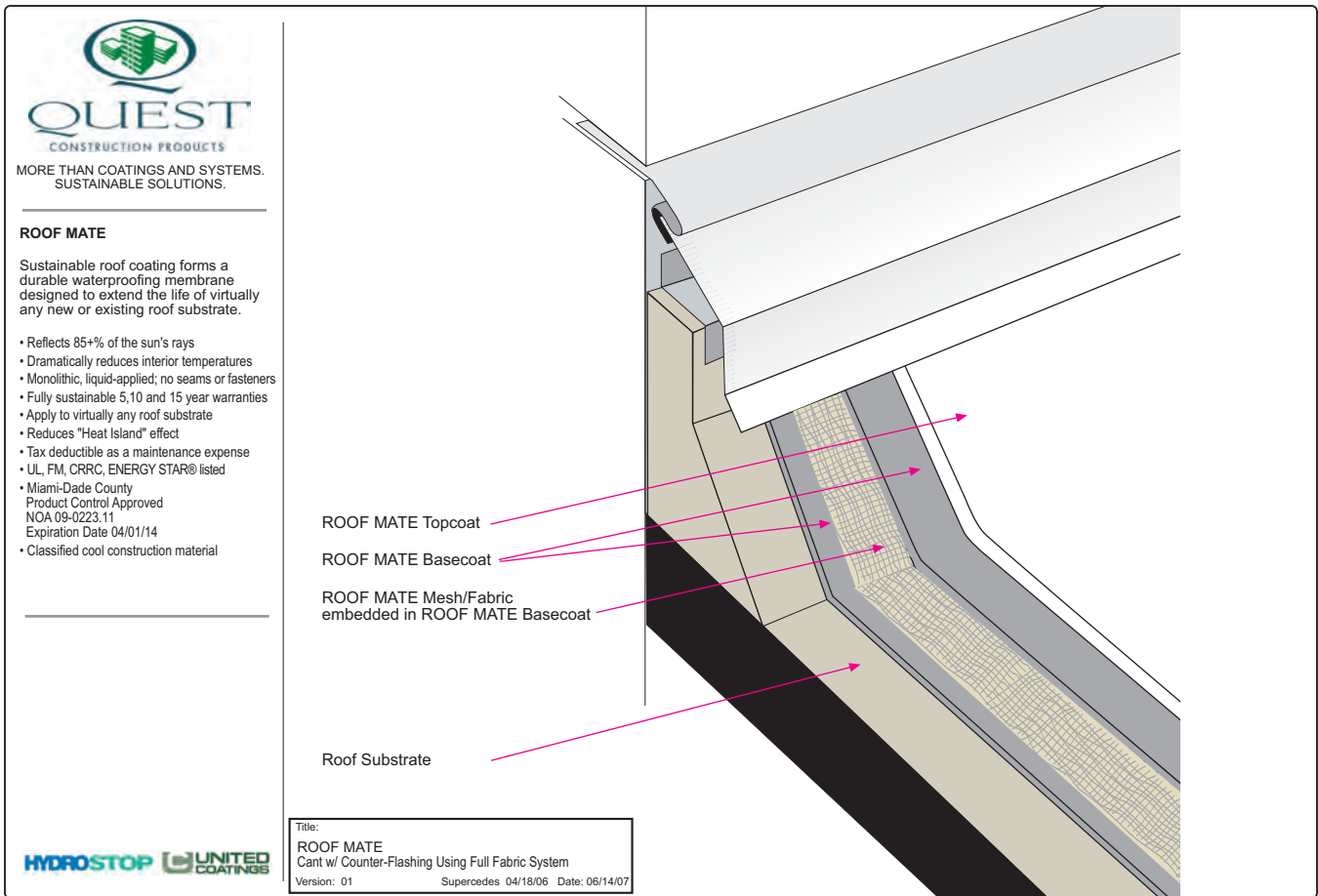
Sustainable roof coating forms a durable waterproofing membrane designed to extend the life of virtually any new or existing roof substrate.

- Reflects 85+% of the sun's rays
- Dramatically reduces interior temperatures
- Monolithic, liquid-applied; no seams or fasteners
- Fully sustainable 5, 10 and 15 year warranties
- Apply to virtually any roof substrate
- Reduces "Heat Island" effect
- Tax deductible as a maintenance expense
- UL, FM, CRRC, ENERGY STAR® listed
- Miami-Dade County Product Control Approved
NOA 09-0223.11
Expiration Date 04/01/14
- Classified cool construction material



Title:
ROOF MATE
 Concrete Parapet Termination w/ Counter-Flashing
 Version: 01 Supercedes 04/18/06 Date: 06/14/07





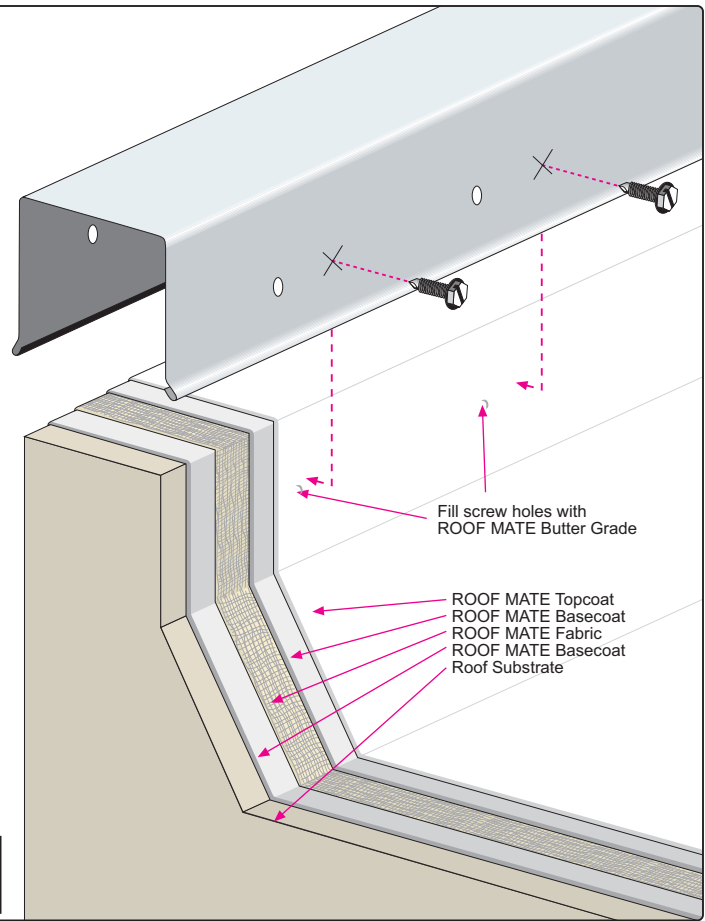


ROOF MATE

Sustainable roof coating forms a durable waterproofing membrane designed to extend the life of virtually any new or existing roof substrate.

- Reflects 85+% of the sun's rays
- Dramatically reduces interior temperatures
- Monolithic, liquid-applied; no seams or fasteners
- Fully sustainable 5, 10 and 15 year warranties
- Apply to virtually any roof substrate
- Reduces "Heat Island" effect
- Tax deductible as a maintenance expense
- UL, FM, CRRC, ENERGY STAR® listed
- Miami-Dade County Product Control Approved
NOA 09-0223.11
Expiration Date 04/01/14
- Classified cool construction material

Remove metal ridge cap prior to application of ROOF MATE. Replace after coating has cured. Use new screws positioned at least 1" (2.5 cm) horizontally from the original hole.



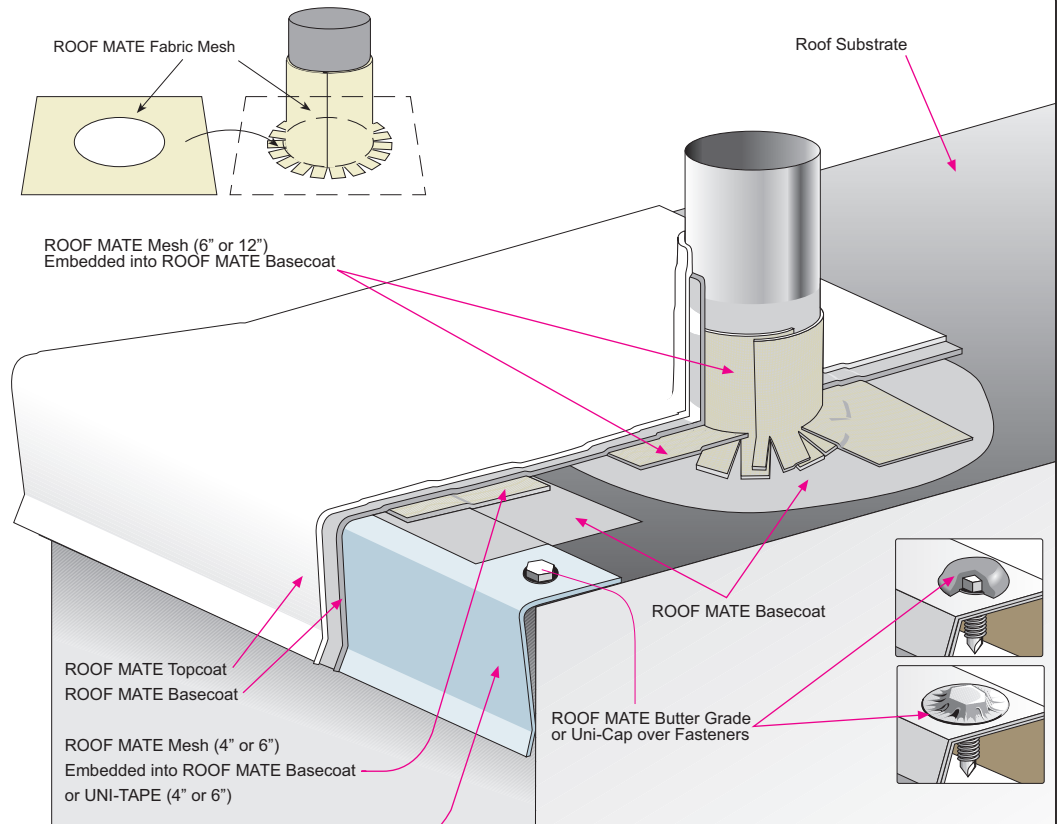
Title:
ROOF MATE
Parapet Wall w/ Metal Cap
Version: 01 Supersedes 04/18/06 Date: 06/14/07



ROOF MATE

Sustainable roof coating forms a durable waterproofing membrane designed to extend the life of virtually any new or existing roof substrate.

- Reflects 85+% of the sun's rays
- Dramatically reduces interior temperatures
- Monolithic, liquid-applied; no seams or fasteners
- Fully sustainable 5, 10 and 15 year warranties
- Apply to virtually any roof substrate
- Reduces "Heat Island" effect
- Tax deductible as a maintenance expense
- UL, FM, CRRC, ENERGY STAR® listed
- Miami-Dade County Product Control Approved
NOA 09-0223.11
Expiration Date 04/01/14
- Classified cool construction material



Title:
ROOF MATE
Pipe Protrusion & Metal Drip Edge
Version: 01 Supersedes 04/18/06 Date: 06/14/07





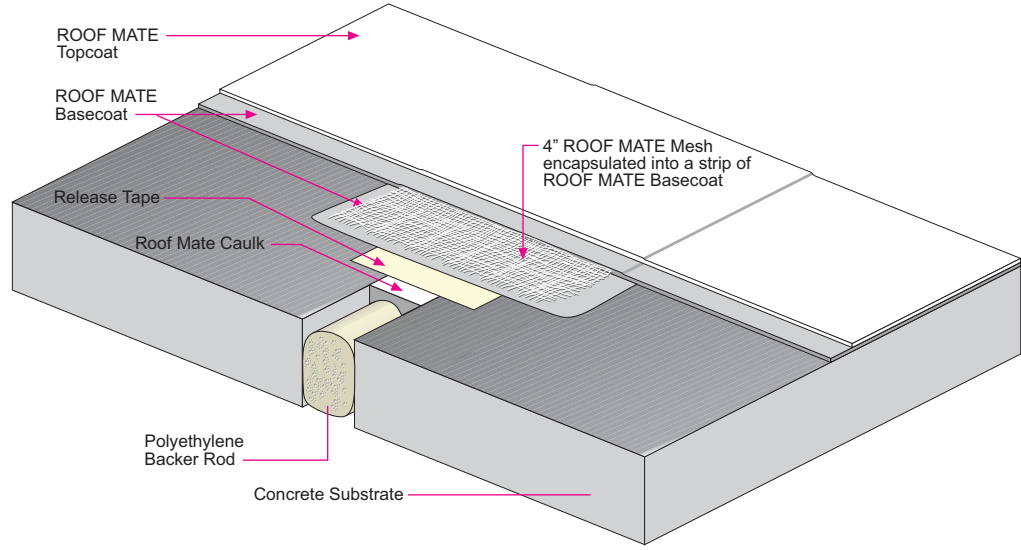
QUEST
CONSTRUCTION PRODUCTS

MORE THAN COATINGS AND SYSTEMS.
SUSTAINABLE SOLUTIONS.

ROOF MATE

Sustainable roof coating forms a durable waterproofing membrane designed to extend the life of virtually any new or existing roof substrate.

- Reflects 85+% of the sun's rays
- Dramatically reduces interior temperatures
- Monolithic, liquid-applied; no seams or fasteners
- Fully sustainable 5, 10 and 15 year warranties
- Apply to virtually any roof substrate
- Reduces "Heat Island" effect
- Tax deductible as a maintenance expense
- UL, FM, CRRC, ENERGY STAR® listed
- Miami-Dade County Product Control Approved NOA 09-0223.11 Expiration Date 04/01/14
- Classified cool construction material



Title: ROOF MATE Moving Crack / Control Joint Over Concrete
Version: 01 Supercedes 04/18/06 Date: 06/14/07



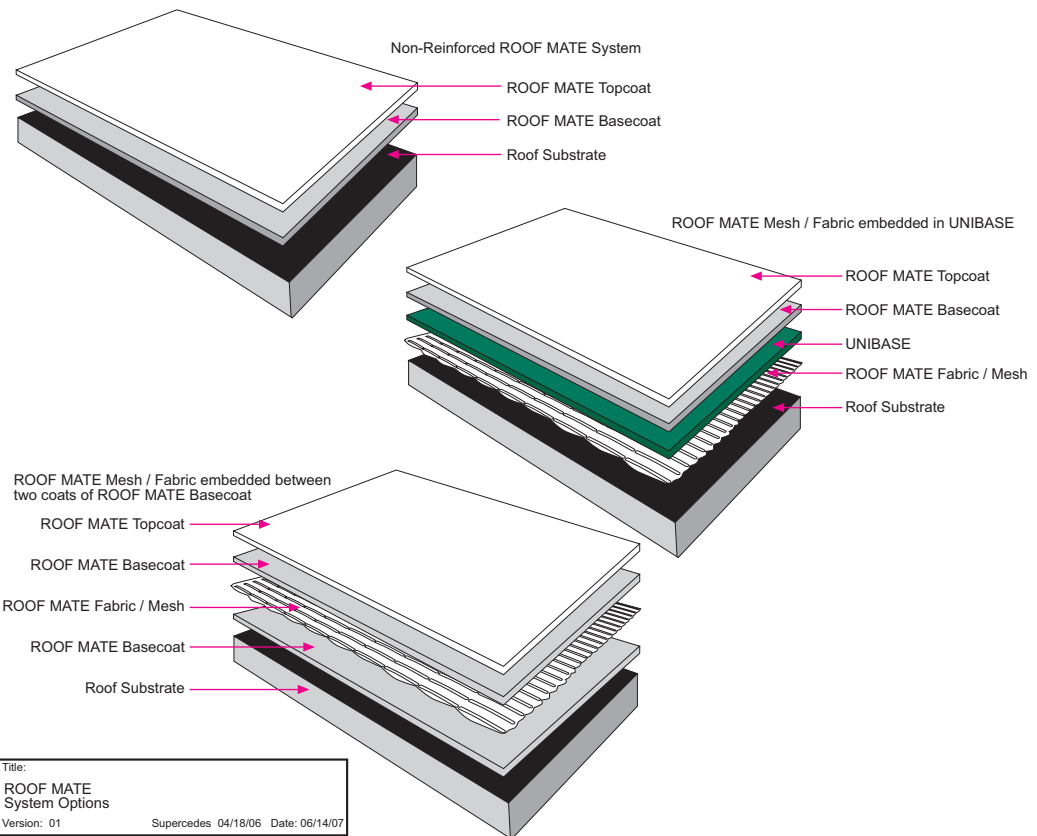
QUEST
CONSTRUCTION PRODUCTS

MORE THAN COATINGS AND SYSTEMS.
SUSTAINABLE SOLUTIONS.

ROOF MATE

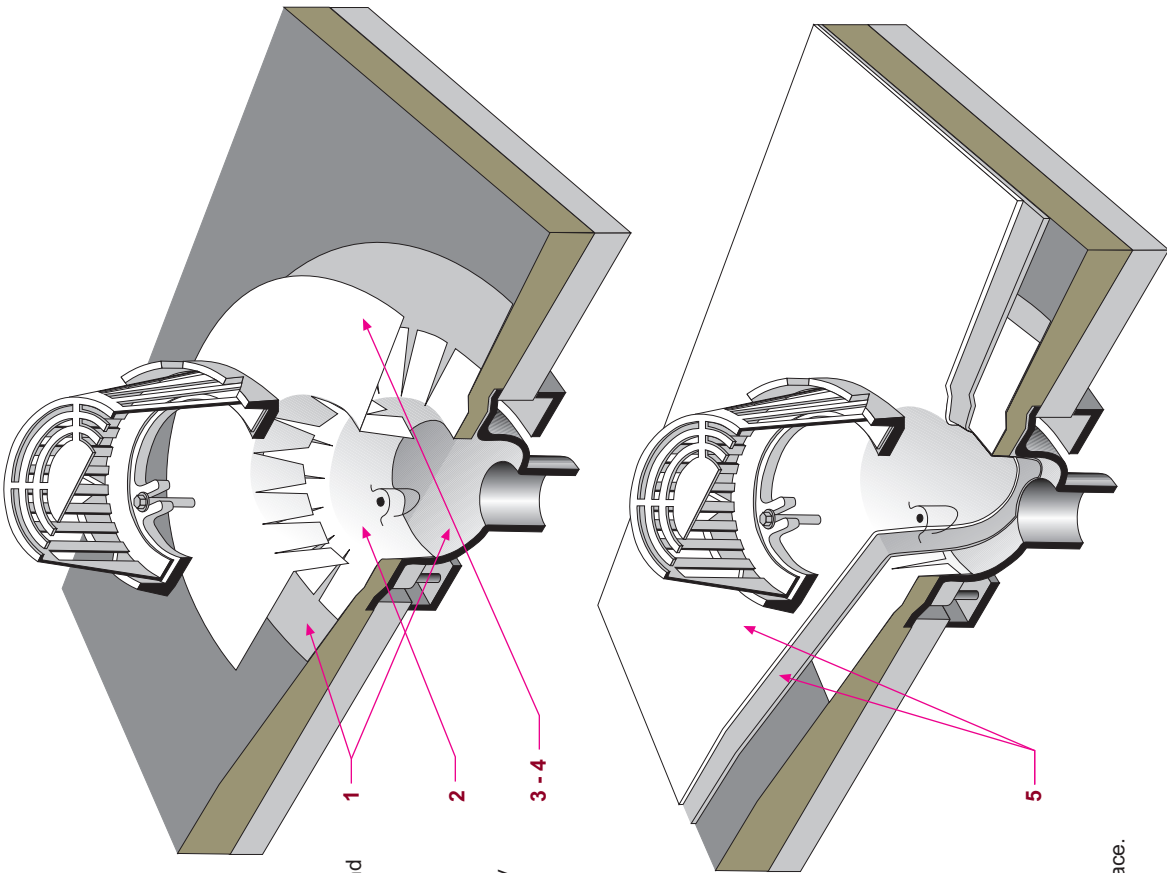
Sustainable roof coating forms a durable waterproofing membrane designed to extend the life of virtually any new or existing roof substrate.

- Reflects 85+% of the sun's rays
- Dramatically reduces interior temperatures
- Monolithic, liquid-applied; no seams or fasteners
- Fully sustainable 5, 10 and 15 year warranties
- Apply to virtually any roof substrate
- Reduces "Heat Island" effect
- Tax deductible as a maintenance expense
- UL, FM, CRRC, ENERGY STAR® listed
- Miami-Dade County Product Control Approved NOA 09-0223.11 Expiration Date 04/01/14
- Classified cool construction material



Title: ROOF MATE System Options
Version: 01 Supercedes 04/18/06 Date: 06/14/07





ROOF MATE Fabric cut to size and encapsulated in **ROOF MATE Butter Grade**.

NOTE: It is important to work quickly during this entire detail process. DO NOT allow the butter grade to dry between coats or the fabric will not be properly encapsulated.

STEP 1: Using a 3" to 4" (7.5 to 10 cm) paintbrush, liberally apply a coat of **ROOF MATE Butter Grade** to the entire drain bowl. Extend the butter grade approximately 6" (15 cm) beyond the bowl rim and onto the roof surface in all directions.

STEP 2: While the butter grade is still wet, cut a strip of **ROOF MATE Fabric** long enough to line the interior diameter of the drain bowl with a 1" to 2" (2.5 to 5 cm) overlap. The fabric should be wide enough to fit approximately half way to the bottom of the bowl while also extending 3" to 4" (7.5 to 10 cm) above the bowl rim. Cut the fabric extending above the bowl rim into flanges, flattening them into the wet butter grade with the brush in a pattern extending away from the bowl. Apply additional **ROOF MATE Butter Grade** to completely encapsulate the fabric.

STEP 3: Cut a second, circular piece of **ROOF MATE Fabric** just large enough to cover the drain and fabric flanges of the first piece of fabric. Fold the fabric in half and then in half again to find the center. Use scissors to cut off enough of the point to create a hole in the exact center of the fabric that is not more than 1/2 the diameter of the drain bowl.

STEP 4: Unfold the circular piece of fabric and center it over the drain. Apply additional **ROOF MATE Butter Grade** around the perimeter of the drain if it is not still wet enough to absorb into the fabric. Cut the fabric into flanges extending outward from the center of the hole to the edge of the bowl. Use the brush to smooth the fabric flanges down into the bowl, working out any air pockets or wrinkles. Apply additional butter grade to completely encapsulate the **ROOF MATE Fabric**, extending it 1" to 2" (2.5 to 5 cm) beyond the edge of the fabric around the perimeter of the drain on the roof surface.

STEP 5: Coat over the entire detailed area with **ROOF MATE** basecoat and topcoat as it is applied to the balance of the roof, per project specifications. Refer to appropriate Master Guide Specifications for complete application instructions.

Title:
ROOF MATE
Fabric reinforced drain
Version: 01
Supersedes 04/18/06 Date: 06/14/07



QUEST
CONSTRUCTION PRODUCTS

MORE THAN COATINGS AND SYSTEMS.
SUSTAINABLE SOLUTIONS.

ROOF MATE

Sustainable roof coating forms a durable waterproofing membrane designed to extend the life of virtually any new or existing roof substrate.

- Reflects 85+% of the sun's rays
- Dramatically reduces interior temperatures
- Monolithic, liquid-applied; no seams or fasteners
- Fully sustainable 5, 10 and 15 year warranties
- Apply to virtually any roof substrate
- Reduces "Heat Island" effect
- Tax deductible as a maintenance expense
- UL, FM, CRRC, ENERGY STAR® listed
- Miami-Dade County Product Control Approved NOA 09-0223.11
- Expiration Date 04/01/14
- Classified cool construction material





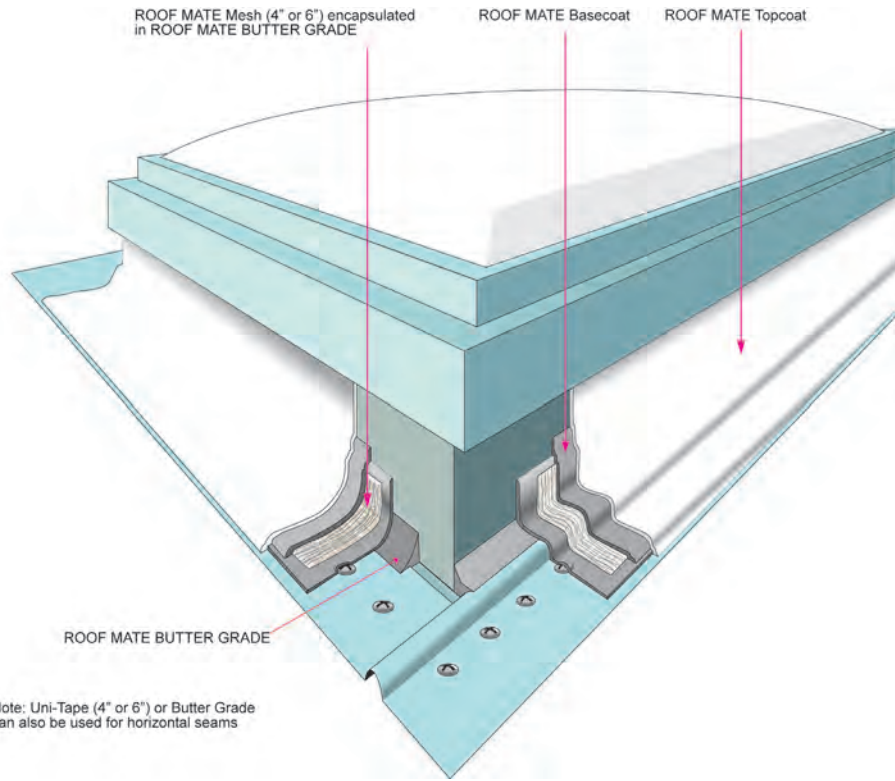
QUEST
CONSTRUCTION PRODUCTS

MORE THAN COATINGS AND SYSTEMS.
SUSTAINABLE SOLUTIONS.

ROOF MATE

Sustainable roof coating forms a durable waterproofing membrane designed to extend the life of virtually any new or existing roof substrate.

- Reflects 85+% of the sun's rays
- Dramatically reduces interior temperatures
- Monolithic, liquid-applied; no seams or fasteners
- Fully sustainable 5, 10 and 15 year warranties
- Apply to virtually any roof substrate
- Reduces "Heat Island" effect
- Tax deductible as a maintenance expense
- UL, FM, CRRC, ENERGY STAR® listed
- Miami-Dade County Product Control Approved
NOA 09-0223.11
Expiration Date 04/01/14
- Classified cool construction material



Note: Uni-Tape (4" or 6") or Butter Grade can also be used for horizontal seams

Title:
ROOF MATE
Concrete Parapet Termination w/ Counter-Flashing
Version: 01 Supersedes 04/18/06 Date: 06/14/07

