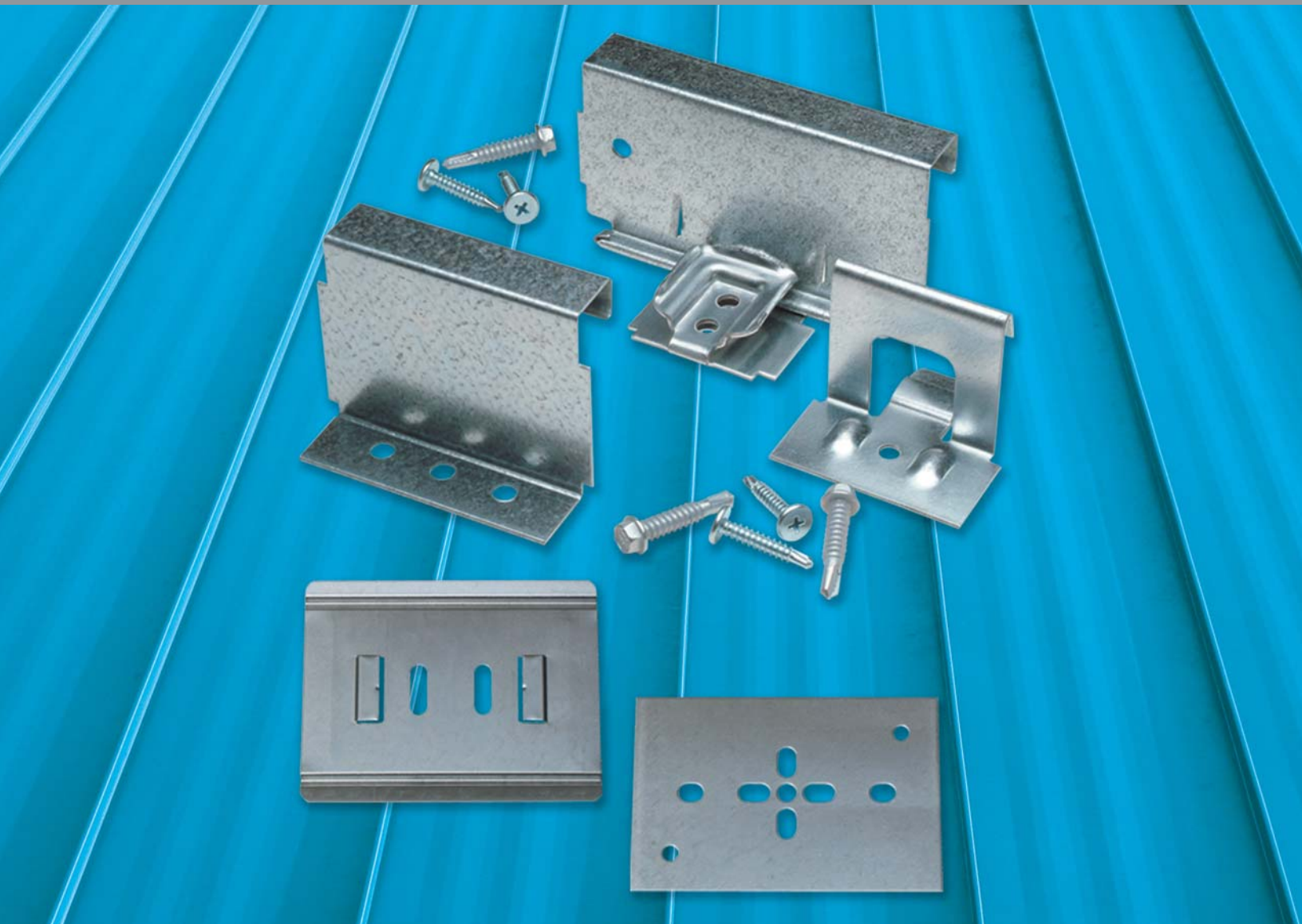




Distributed by: BEST MATERIALS®  
Ph: 800-474-7570, 602-272-8128 Fax: 602-272-8014  
[www.BestMaterials.com](http://www.BestMaterials.com) Email: [Sales@BestMaterials.com](mailto:Sales@BestMaterials.com)

## Clips, Bearing Plates and Fasteners for Standing Seam Panel Attachment



SFS intec has been manufacturing standing seam clips for over thirty years and we are the metal building industry's most complete resource for standard and customer specific standing seam clips for roof and wall panels. SFS intec clips and bearing plates are designed and manufactured to meet industry standards and are available in a wide variety of materials and gauges for snap lock, mechanical seam and architectural panels. We also offer a complete line of bearing plates and fasteners specifically designed for the attachment of our standing seam clips.

**Design**

Our standing seam clip product offering has been designed to accommodate most panel and insulation thickness applications. In addition, our engineers can custom design clips to meet specific structural and corrosion resistance requirements. We can work with you to develop new clip designs for your panels, manufacture clips from designs you supply or suggest improvements to enhance the performance of your standing seam clips.

**Manufacturing**

At SFS intec, our goal is to produce the best, cost-effective standing seam clips on the market that comply to industry approvals and meet design load requirements. We can make dies, manufacture clip prototypes and perform a series of tests to assure proven performance in the field. In-house stamping operations allow us to manufacture uniform quality clips in large or small quantities, time after time.

**Testing**

SFS intec has a 12'x24' test chamber available to our customers for uplift testing, both positive and negative design pressure. Our test bed complies with FM4470 and 4474 protocol as well as ASTM E1592 test protocol. This service allows SFS intec to produce prototype clips for our customers and test a clip's design loads prior to production tooling. Shear, tension, pull-out, pull-over and wind uplift tests can be performed to ensure that the clip and the clip fasteners meet your performance requirements as well as FM and UL standards.



**Service**

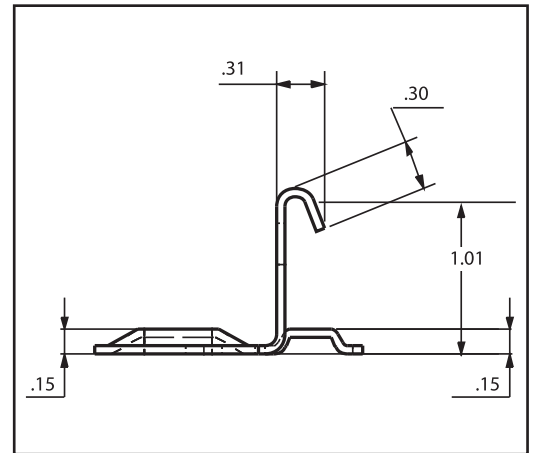
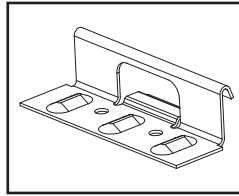
With our four strategically located service centers in the U.S. and our operations in Canada, SFS intec is positioned to providing you the highest quality service levels in the industry. With clips held in inventory at service centers near you, your inventory levels and delivery times will be reduced, saving you time and money.

<b>Table of Contents</b>	
<b>Section.....</b>	<b>Page</b>
Snap Lock Clips .....	2-5
Fixed Clips .....	6-10
Float Clips .....	11-15
Specialty Clips .....	16-17
Bearing Plates .....	18
Panel Clip Fasteners.....	19-21

# Snap Lock Clips

## Snap Lock 1"

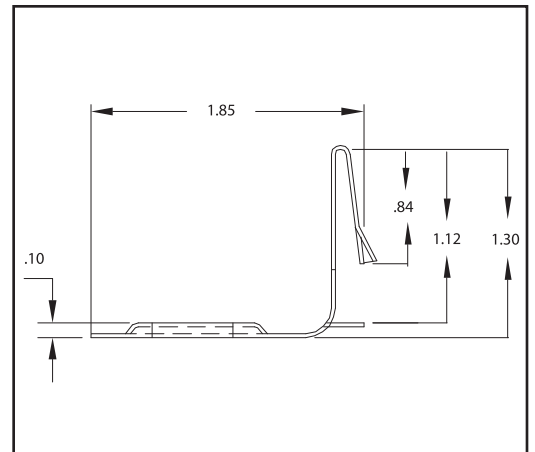
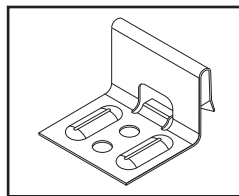
Height = 1.01"  
Width = 3.50"  
2-Hole



New Part No.	Original Part No.	Material	Ctn. Qty.
1112979	1112979	18 ga. G-90 Galv.	200
1199659	1199659	22 ga. G-90 Galv.	200

## Snap Lock 1-1/2"

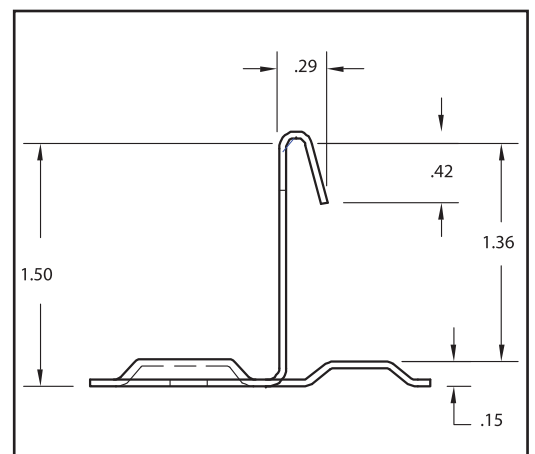
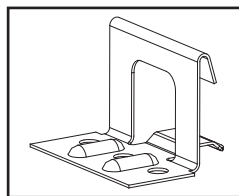
Height = 1.30"  
Width = 1.75"  
2-Hole



New Part No.	Original Part No.	Material	Ctn. Qty.
1036000	1036000	24 ga. G-90 Galvalume	1,000

## Snap Lock 1-1/2"

Height = 1.50"  
Width = 2.00"  
3-Hole



New Part No.	Original Part No.	Material	Ctn. Qty.
1051754	1051754	18 ga. G-90 Galv.	500
1051727	1051727	20 ga. G-90 Galv.	500
1051768	1051768	18 ga. 304SS	500
1051730	1051730	20 ga. 304SS	500

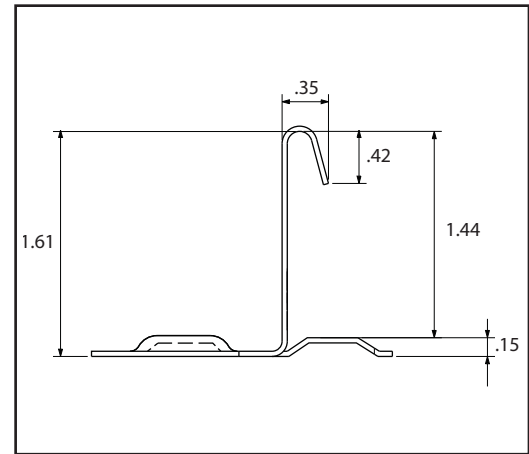
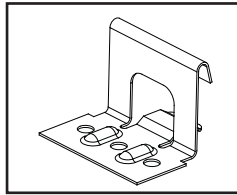
Distributed by: **BEST MATERIALS®**  
Ph: 800-474-7570, 602-272-8128 Fax: 602-272-8014  
[www.BestMaterials.com](http://www.BestMaterials.com) Email: [Sales@BestMaterials.com](mailto:Sales@BestMaterials.com)

Drawings are for illustration purpose only. Dimensions are nominal inches unless otherwise noted. Engineering drawings should be referenced for exact tolerances and will be furnished upon request.

# Snap Lock Clips

## Snap Lock 1-1/2"

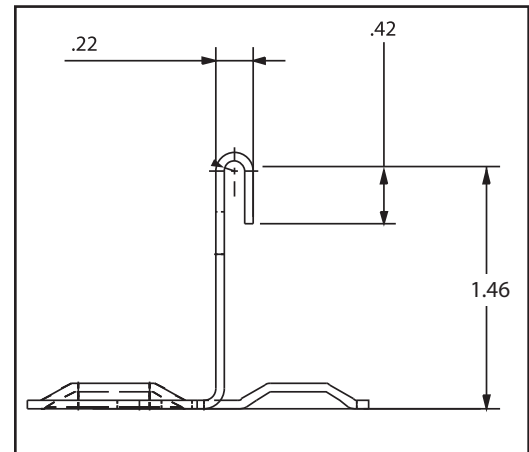
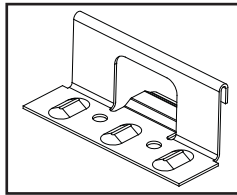
Height = 1.50"  
Width = 2.00"  
3-Hole



New Part No.	Original Part No.	Material	Ctn. Qty.
1317980	1317980	20 ga. G-90 Galv.	500

## Snap Lock 1-1/2"

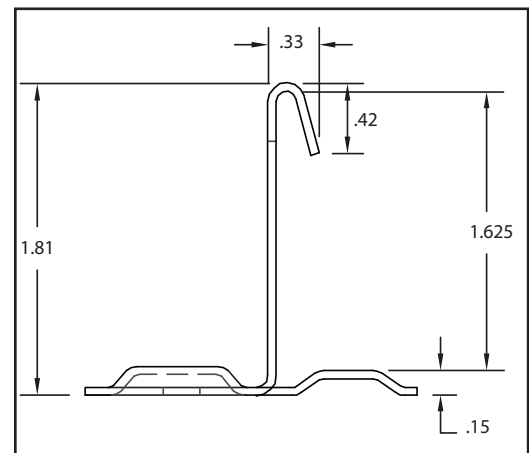
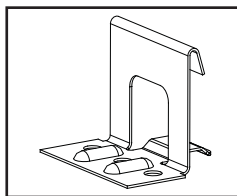
Height = 1.46"  
Width = 3.50"  
2-Hole



New Part No.	Original Part No.	Material	Ctn. Qty.
1023821	1023821	18 ga. G-90 Galv.	125
1319660	1319660	18 ga. 304SS	125

## Snap Lock 1-5/8"

Height = 1.81"  
Width = 2.00"  
3-Hole



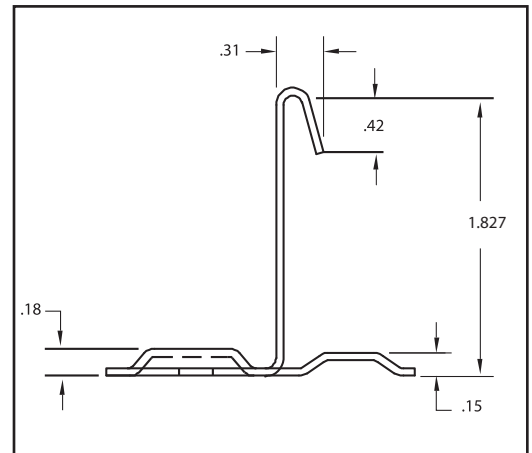
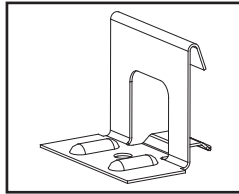
New Part No.	Original Part No.	Material	Ctn. Qty.
1241358	1241358	18 ga. G-90 Galv.	500
1278218	1278218	18 ga. 304SS	500

Distributed by: **BEST MATERIALS®**  
Ph: 800-474-7570, 602-272-8128 Fax: 602-272-8014  
[www.BestMaterials.com](http://www.BestMaterials.com) Email: [Sales@BestMaterials.com](mailto:Sales@BestMaterials.com)

# Snap Lock Clips

## Snap Lock 1-3/4"

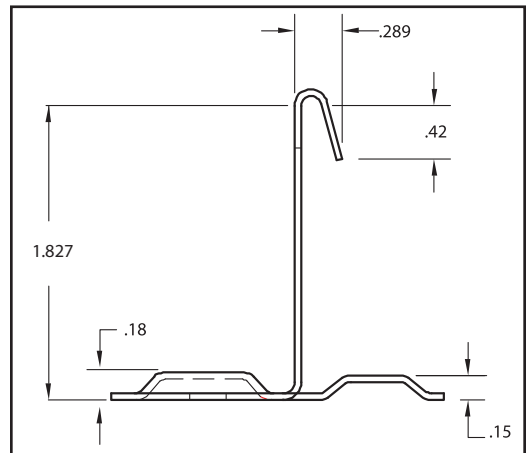
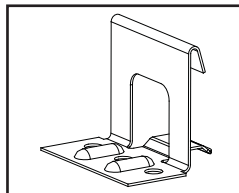
Height = 1.827"  
 Width = 2.00"  
 1-Hole



New Part No.	Original Part No.	Material	Ctn. Qty.
728731	M0406	18 ga. G-90 Galv.	500
728733	M0541	18 ga. 304SS	500

## Snap Lock 1-3/4"

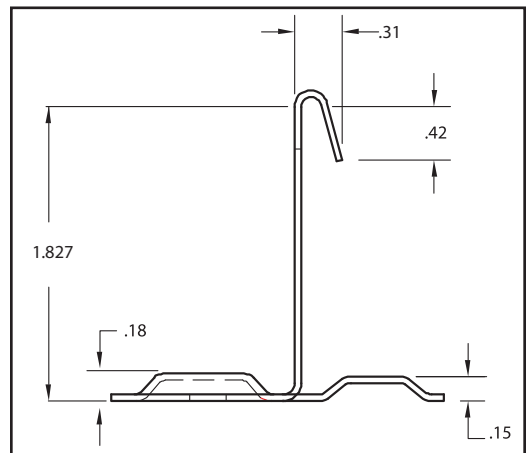
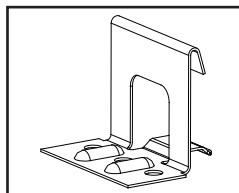
Height = 1.827"  
 Width = 2.00"  
 3-Hole



New Part No.	Original Part No.	Material	Ctn. Qty.
1051718	1051718	20 ga. G-90 Galv.	500
1051714	1051714	20 ga. 304SS	500
1051719	1051719	20 ga. 316SS	500

## Snap Lock 1-3/4"

Height = 1.827"  
 Width = 2.00"  
 3-Hole



New Part No.	Original Part No.	Material	Ctn. Qty.
1051721	1051721	18 ga. G-90 Galv.	500
1051723	1051723	18 ga. 304SS	500

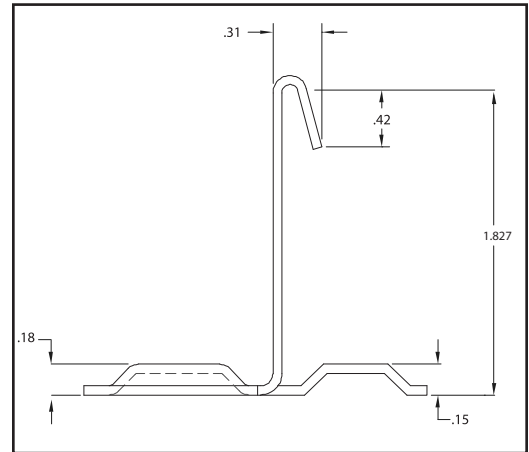
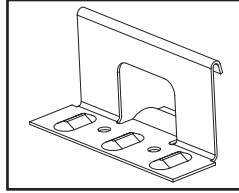
Distributed by: **BEST MATERIALS®**  
 Ph: 800-474-7570, 602-272-8128 Fax: 602-272-8014  
[www.BestMaterials.com](http://www.BestMaterials.com) Email: [Sales@BestMaterials.com](mailto:Sales@BestMaterials.com)

Drawings are for illustration purpose only. Dimensions are nominal inches unless otherwise noted. Engineering drawings should be referenced for exact tolerances and will be furnished upon request.

# Snap Lock Clips

## Snap Lock 1-3/4"

Height = 1.827"  
 Width = 3.50"  
 2-Hole



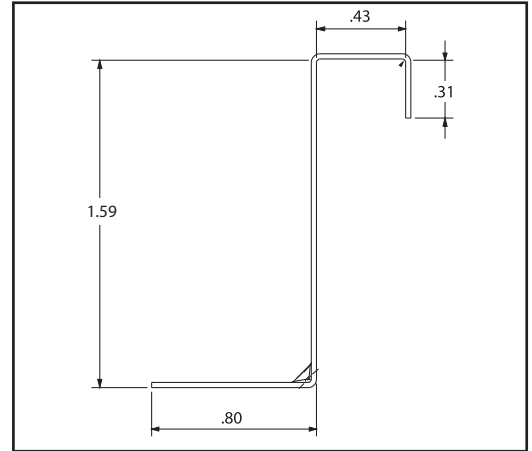
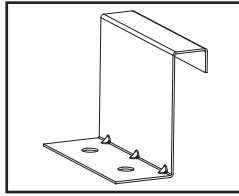
New Part No.	Original Part No.	Material	Ctn. Qty.
728734	M0407	18 ga. G-90 Galv.	250
728739 with Sealant	M0407-SL with Sealant	18 ga. G-90 Galv.	250
1106732	1106732	18 ga. 304SS	250
728741	M0549	18 ga. 316SS	250

Distributed by: **BEST MATERIALS**®  
 Ph: 800-474-7570, 602-272-8128 Fax: 602-272-8014  
[www.BestMaterials.com](http://www.BestMaterials.com) Email: [Sales@BestMaterials.com](mailto:Sales@BestMaterials.com)

# Fixed Clips

## Fixed Clip 1-1/2"

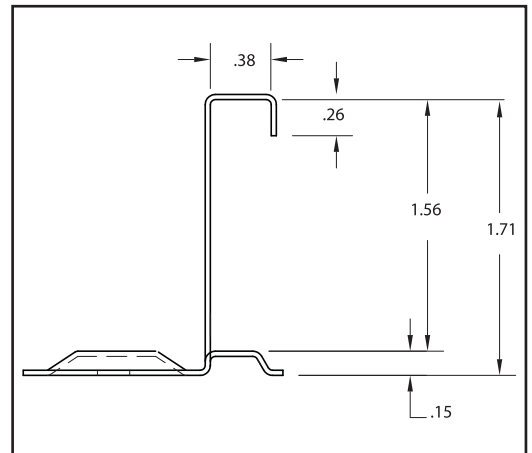
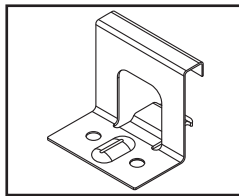
Height = 1.59"  
Width = 2.00"  
2-Hole



New Part No.	Original Part No.	Material	Ctn. Qty.
1093692	1093692	24 ga. G-90 Galv.	350
1286215	1286215	26 ga. G-90 Galv.	350
1172646	1172646	24 ga. 304SS	350

## Fixed Clip 1-1/2"

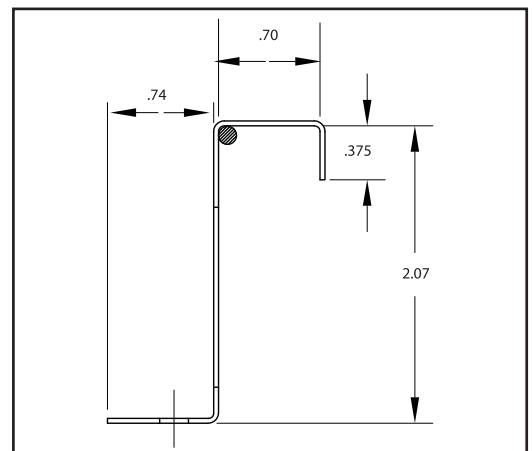
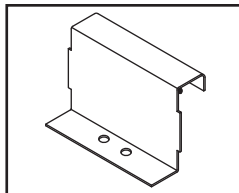
Height = 1.71"  
Width = 2.00"  
2-Hole



New Part No.	Original Part No.	Material	Ctn. Qty.
1085437	1085437	22 ga. G-90 Galv.	250
1133891	1133891	22 ga. 304SS	250
1291010	1291010	24 ga. 304SS	250
1215420	1215420	26 ga. 304SS	250

## Fixed Clip 2"

Height = 2.07"  
Width = 3.00"  
2-Hole



New Part No.	Original Part No.	Material	Ctn. Qty.
728753 with Sealant	M0405 with Sealant	22 ga. G-90 Galv.	400

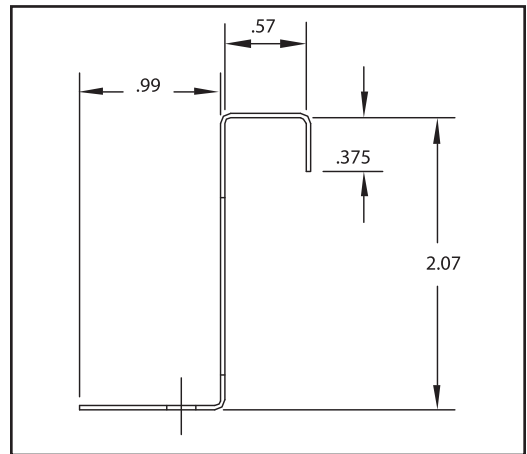
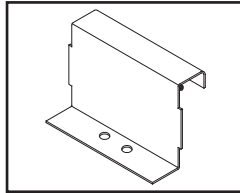
Distributed by: **BEST MATERIALS®**  
Ph: 800-474-7570, 602-272-8128 Fax: 602-272-8014  
[www.BestMaterials.com](http://www.BestMaterials.com) Email: [Sales@BestMaterials.com](mailto:Sales@BestMaterials.com)

Drawings are for illustration purpose only. Dimensions are nominal inches unless otherwise noted. Engineering drawings should be referenced for exact tolerances and will be furnished upon request.

# Fixed Clips

## Fixed Clip 2"

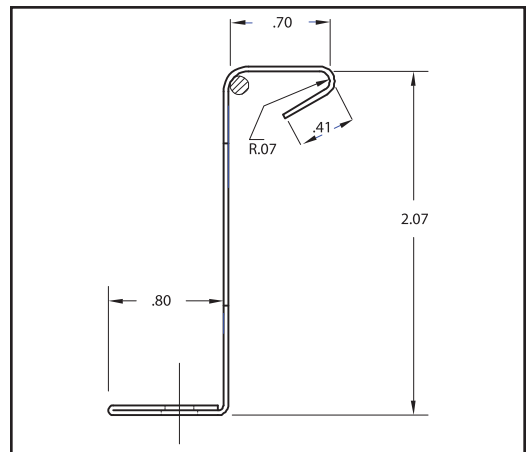
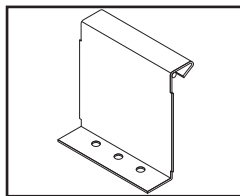
Height = 2.07"  
Width = 3.00"  
2-Hole



New Part No.	Original Part No.	Material	Ctn. Qty.
1213346	1213346	22 ga. G-90 Galv.	250
1213916	1213916	22 ga. 304SS	250
1389120	1389120	24 ga. 304SS	250

## Fixed Clip 2"

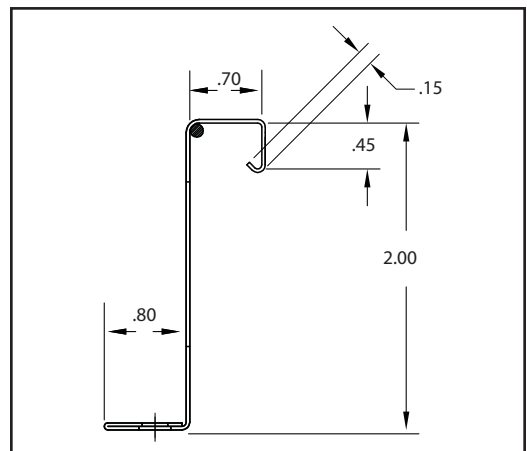
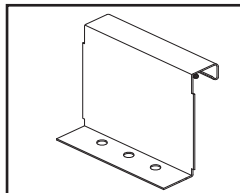
Height = 2.07"  
Width = 3.00"  
3-Hole



New Part No.	Original Part No.	Material	Ctn. Qty.
1082064	1082064	22 ga. G-90 Galv.	400

## Fixed Clip 2"

Height = 2"  
Width = 3.00"  
3-Hole



New Part No.	Original Part No.	Material	Ctn. Qty.
1292548 with Sealant	1292548 with Sealant	22 ga. G-90 Galv.	250

Distributed by: **BEST MATERIALS®**  
Ph: 800-474-7570, 602-272-8128 Fax: 602-272-8014  
[www.BestMaterials.com](http://www.BestMaterials.com) Email: [Sales@BestMaterials.com](mailto:Sales@BestMaterials.com)

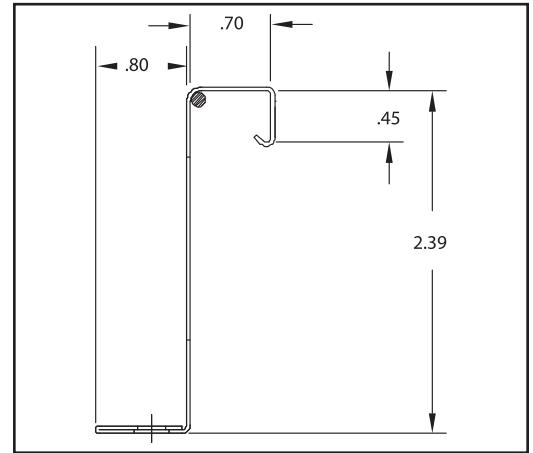
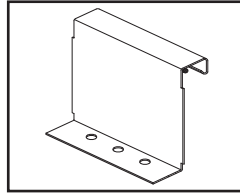
Drawings are for illustration purpose only. Dimensions are nominal inches unless otherwise noted. Engineering drawings should be referenced for exact tolerances and will be furnished upon request.



# Fixed Clips

## Fixed Clip 2-3/8"

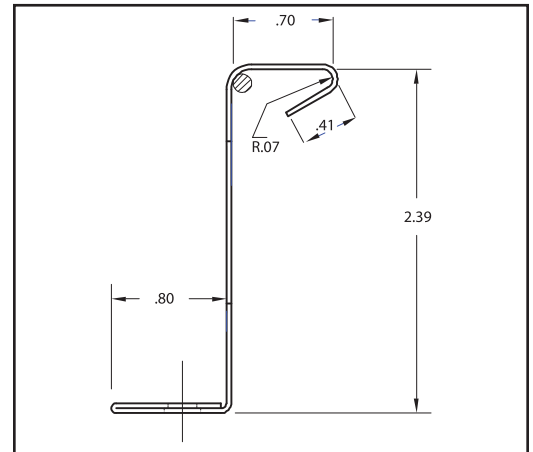
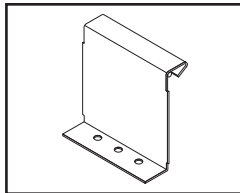
Height = 2.39"  
Width = 3.00"  
3-Hole



New Part No.	Original Part No.	Material	Ctn. Qty.
729720 with Sealant	M0531 with Sealant	22 ga. G-90 Galv.	250

## Fixed Clip 2-3/8"

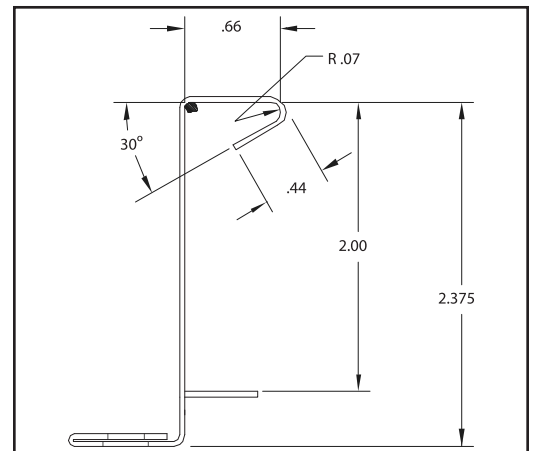
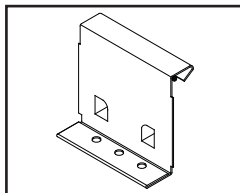
Height = 2.39"  
Width = 3.00"  
3-Hole



New Part No.	Original Part No.	Material	Ctn. Qty.
1082066	1082066	22 ga. G-90 Galv.	250
1213866	1213866	22 ga. 304SS	250

## Fixed Clip 2-3/8"

Height = 2.375"  
Width = 3.00"  
3-Hole



New Part No.	Original Part No.	Material	Ctn. Qty.
728494 with Sealant	M0470 with Sealant	22 ga. G-90 Galv.	200
747238 with Sealant	M0470-300 with Sealant	22 ga. 304SS	200

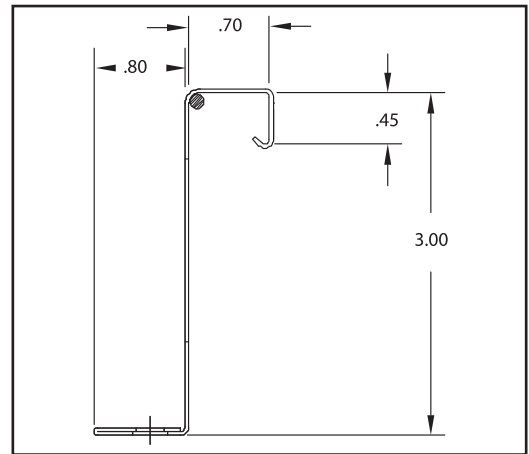
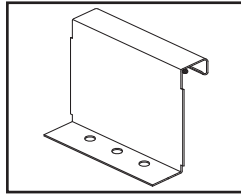
Distributed by: **BEST MATERIALS®**  
Ph: 800-474-7570, 602-272-8128 Fax: 602-272-8014  
[www.BestMaterials.com](http://www.BestMaterials.com) Email: [Sales@BestMaterials.com](mailto:Sales@BestMaterials.com)

Drawings are for illustration purpose only. Dimensions are nominal inches unless otherwise noted. Engineering drawings should be referenced for exact tolerances and will be furnished upon request.

# Fixed Clips

## Fixed Clip 3"

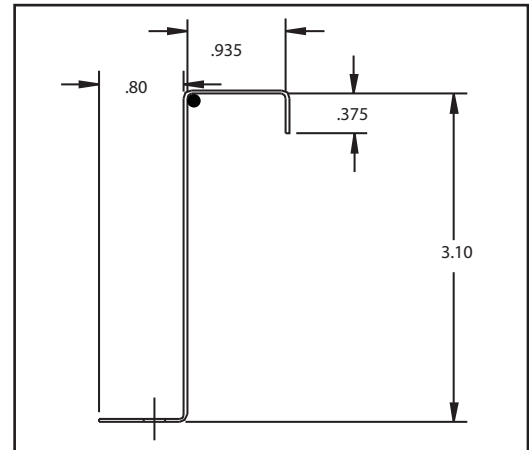
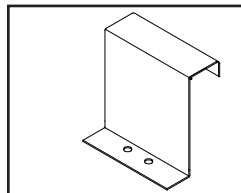
Height = 3.00"  
Width = 3.00"  
3-Hole



New Part No.	Original Part No.	Material	Ctn. Qty.
729721 with Sealant	M0536 with Sealant	22 ga. G-90 Galv.	250

## Fixed Clip 3"

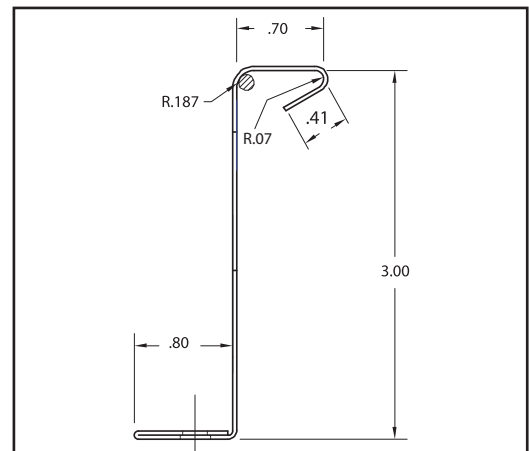
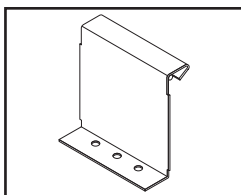
Height = 3.10"  
Width = 3.00"  
2-Hole



New Part No.	Original Part No.	Material	Ctn. Qty.
728472 with Sealant	M0575 with Sealant	22 ga. G-90 Galv.	250

## Fixed Clip 3"

Height = 3.00"  
Width = 3.00"  
3-Hole



New Part No.	Original Part No.	Material	Ctn. Qty.
1082067	1082067	22 ga. G-90 Galv.	250

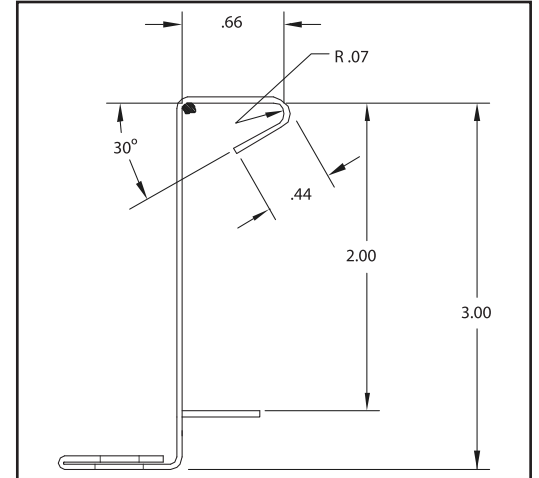
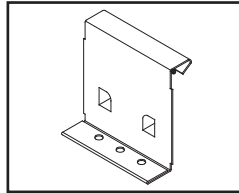
Distributed by: **BEST MATERIALS®**  
Ph: 800-474-7570, 602-272-8128 Fax: 602-272-8014  
[www.BestMaterials.com](http://www.BestMaterials.com) Email: [Sales@BestMaterials.com](mailto:Sales@BestMaterials.com)

Drawings are for illustration purpose only. Dimensions are nominal inches unless otherwise noted. Engineering drawings should be referenced for exact tolerances and will be furnished upon request.

# Fixed Clips

## Fixed Clip 3"

Height = 3.00"  
 Width = 3.00"  
 3-Hole

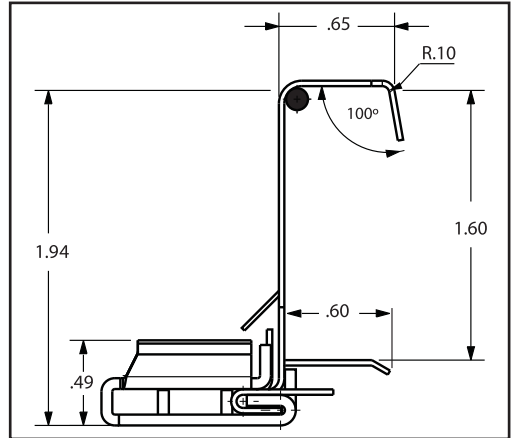
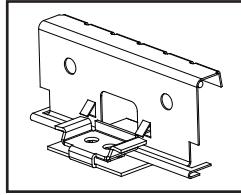


New Part No.	Original Part No.	Material	Ctn. Qty.
728495 with Sealant	M0475 with Sealant	22 ga. G-90 Galv.	200

# Float Clips

## Float Clip 1-1/2"

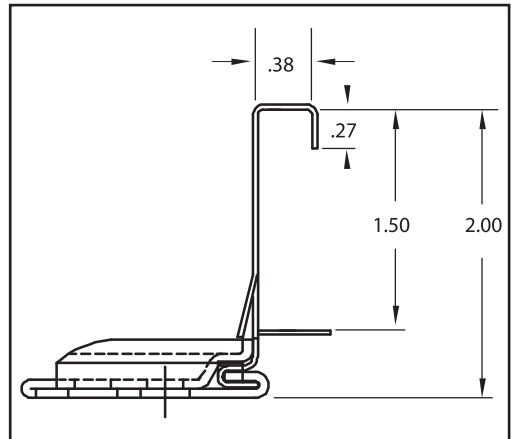
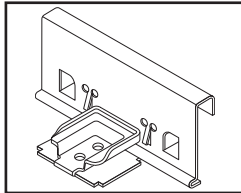
Height = 1.94"  
Width = 4.30"  
2-Hole



New Part No.	Original Part No.	Base Material	Tab Material	Ctn. Qty.
1183626 with Sealant	1183626 with Sealant	16 ga. G-90 Galv.	22 ga. G-90 Galv.	100
1374573 with Sealant	1374573 with Sealant	16 ga. G-90 Galv.	22 ga. 304SS	100

## Float Clip 1-1/2"

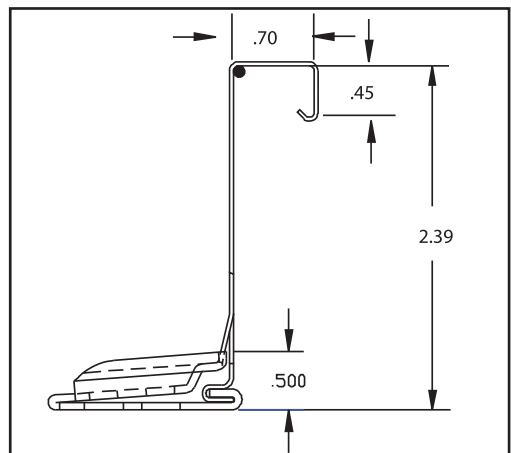
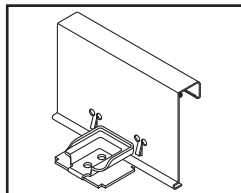
Height = 2.00"  
Width = 4.20"  
2-Hole



New Part No.	Original Part No.	Base Material	Tab Material	Ctn. Qty.
1069208	1069208	16 ga. G-90 Galv.	22 ga. G-90 Galv.	80
1069994	1069994	16 ga. G-90 Galv.	22 ga. 304SS	80
1291008	1291008	16 ga. G-90 Galv.	24 ga. 304SS	80
1222957	1222957	16 ga. G-90 Galv.	26 ga. 304SS	80
1165861	1165861	16 ga. 304SS	26 ga. 304SS	80

## Float Clip 2"

Height = 2.39"  
Width = 4.30"  
2-Hole



New Part No.	Original Part No.	Base Material	Tab Material	Ctn. Qty.
728902 with Sealant	M0413 with Sealant	16 ga. G-90 Galv.	22 ga. G-90 Galv.	100
732941 with Sealant	M0413-304 with Sealant	16 ga. G-90 Galv.	22 ga. 304SS	100

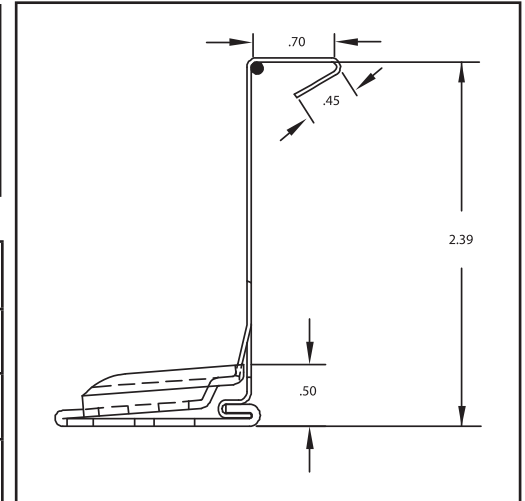
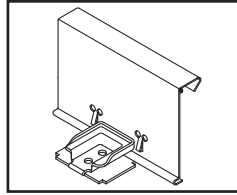
Distributed by: **BEST MATERIALS®**  
Ph: 800-474-7570, 602-272-8128 Fax: 602-272-8014  
[www.BestMaterials.com](http://www.BestMaterials.com) Email: [Sales@BestMaterials.com](mailto:Sales@BestMaterials.com)

Drawings are for illustration purpose only. Dimensions are nominal inches unless otherwise noted. Engineering drawings should be referenced for exact tolerances and will be furnished upon request.

# Float Clips

## Float Clip 2"

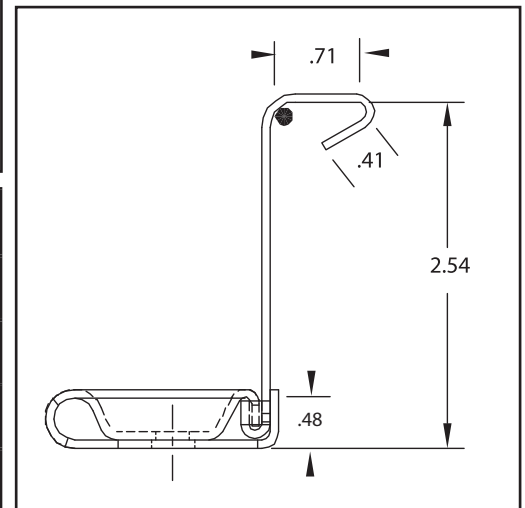
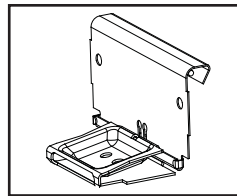
Height = 2.39"  
 Width = 4.30"  
 2-Hole



New Part No.	Original Part No.	Base Material	Tab Material	Ctn. Qty.
753279 with Sealant	M0413-MOD with Sealant	16 ga. G-90 Galv.	22 ga. G-90 Galv.	100
1311597 with Selaant	1311597 with Selaant	16 ga. 304SS	22 ga. 304SS	100
1395587 with Selaant	1395587 with Selaant	16 ga. 316SS	22 ga. 316SS	100

## Float Clip 2"

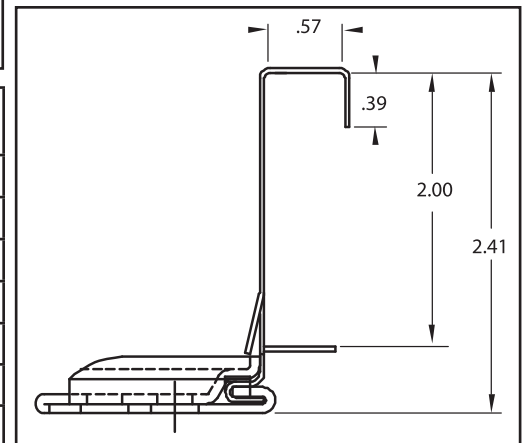
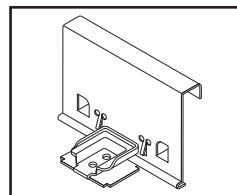
Height = 2.54"  
 Width = 4.30"  
 2-Hole



New Part No.	Original Part No.	Base Material	Tab Material	Ctn. Qty.
1158556 with Sealant	1158556 with Sealant	16 ga. G-90 Galv.	22 ga. G-90 Galv.	100
1384108 with Sealant	1384108 with Sealant	16 ga. G-90 Galv.	22 ga. 304SS	100
1314596 with Sealant	1314596 with Sealant	16 ga. 304SS	22 ga. 304SS	100
1331799 with Sealant	1331799 with Sealant	16 ga. 304SS	26 ga. 304SS	100

## Float Clip 2"

Height = 2.40"  
 Width = 4.30"  
 2-Hole



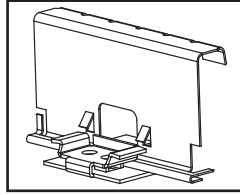
New Part No.	Original Part No.	Base Material	Tab Material	Ctn. Qty.
1069206	1069206	16 ga. G-90 Galv.	22 ga. G-90 Galv.	80
1142738	1142738	16 ga. G-90 Galv.	24 ga. G-90 Galv.	80
1069993	1069993	16 ga. G-90 Galv.	22 ga. 304SS	80
1257445	1257445	16 ga. G-90 Galv.	26 ga. 304SS	80
1233451	1233451	18 ga. G-90 Galv.	26 ga. 304SS	80
1318408	1318408	16 ga. 304SS	24 ga. 304SS	80
1213935	1213935	16 ga. 304SS	26 ga. 304SS	80

Drawings are for illustration purpose only. Dimensions are nominal inches unless otherwise noted. Engineering drawings should be referenced for exact tolerances and will be furnished upon request.

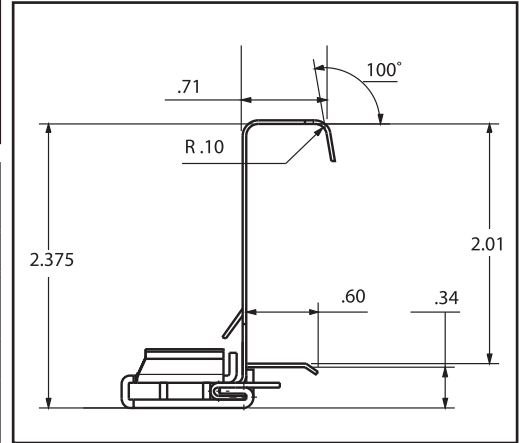
# Float Clips

## Float Clip 2"

Height = 2.375"  
Width = 4.30"  
2-Hole

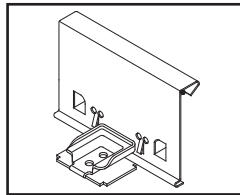


New Part No.	Original Part No.	Base Material	Tab Material	Ctn. Qty.
1020252	1020252	16 ga. G-90 Galv.	22 ga. G-90 Galv.	100
1184718 wth Sealant	1184718 wth Sealant	16 ga. G-90 Galv.	22 ga. G-90 Galv.	100
1258847	1258847	16 ga. G-90 Galv.	22 ga. 304SS	100
1398805 wth Sealant	1398805 wth Sealant	16 ga. G-90 Galv.	22 ga. 304SS	100

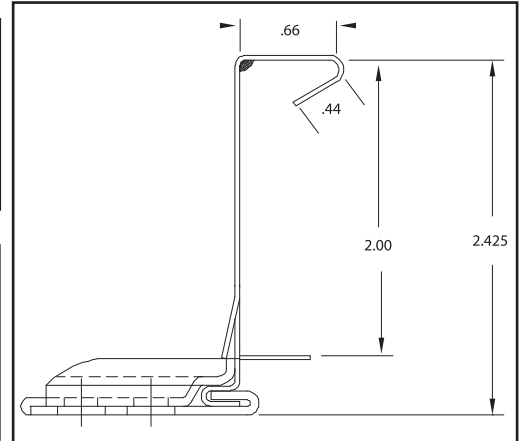


## Float Clip 2"

Height = 2.425"  
Width = 4.30"  
2-Hole

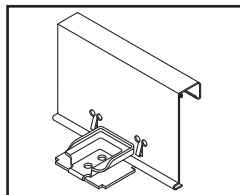


New Part No.	Original Part No.	Base Material	Tab Material	Ctn. Qty.
728907 with Sealant	M0480 with Sealant	16 ga. G-90 Galv.	22 ga. G-90 Galv.	80
747235 with Sealant	M0480-300 with Sealant	16 ga. G-90 Galv.	22 ga. 304SS	80

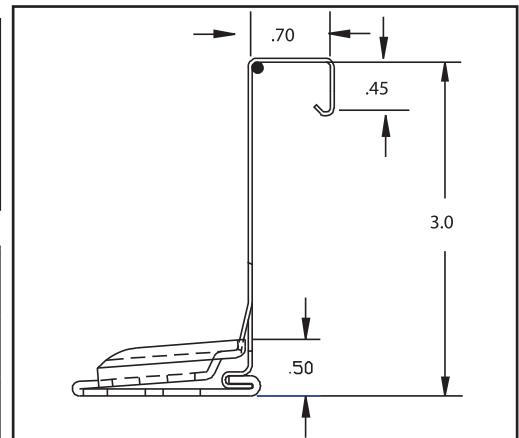


## Float Clip 3"

Height = 3.00"  
Width = 4.30"  
2-Hole



New Part No.	Original Part No.	Base Material	Tab Material	Ctn. Qty.
728906 with Sealant	M0414 with Sealant	16 ga. G-90 Galv.	22 ga. G-90 Galv.	100
1311600 with Sealant	1311600 with Sealant	16 ga. 304SS	24 ga. 304SS	100



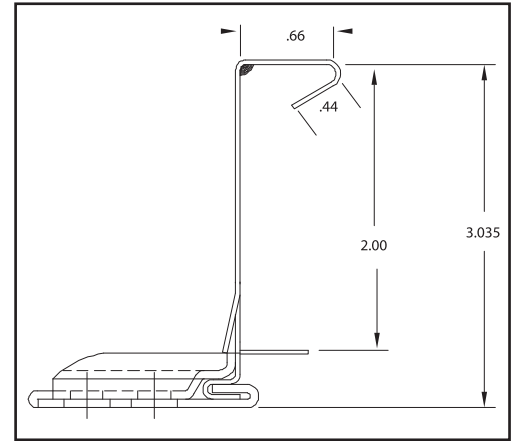
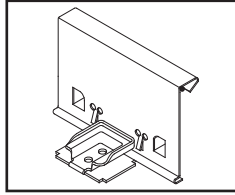
Distributed by: **BEST MATERIALS®**  
Ph: 800-474-7570, 602-272-8128 Fax: 602-272-8014  
[www.BestMaterials.com](http://www.BestMaterials.com) Email: [Sales@BestMaterials.com](mailto:Sales@BestMaterials.com)

Drawings are for illustration purpose only. Dimensions are nominal inches unless otherwise noted. Engineering drawings should be referenced for exact tolerances and will be furnished upon request.

# Float Clips

## Float Clip 3"

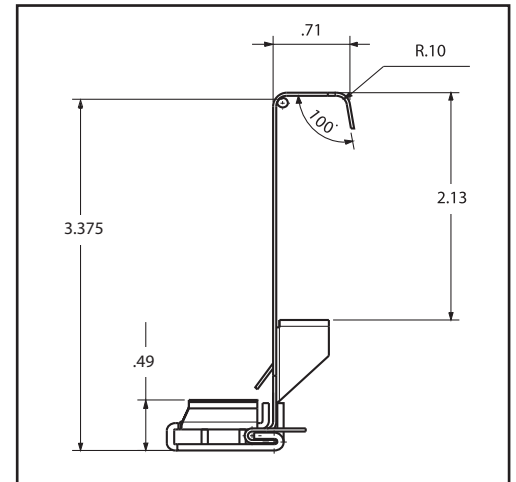
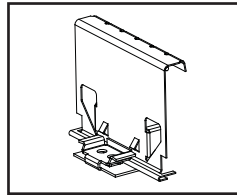
Height = 3.035"  
 Width = 4.30"  
 2-Hole



New Part No.	Original Part No.	Base Material	Tab Material	Ctn. Qty.
728908 with Sealant	M0485 with Sealant	16 ga. G-90 Galv.	22 ga. G-90 Galv.	60

## Float Clip 3-3/8" For 2" Panel

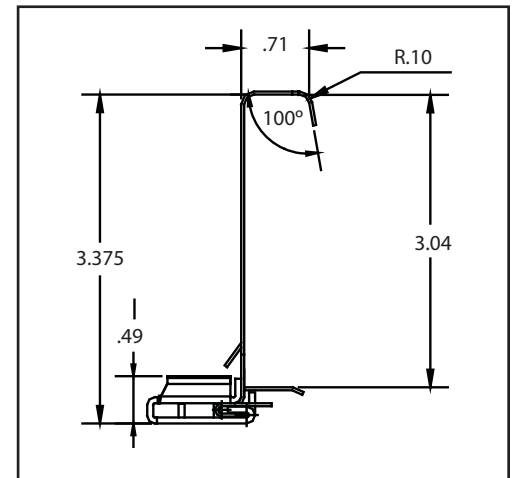
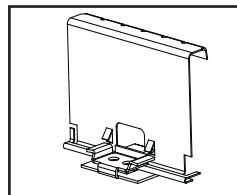
Height = 3.375"  
 Width = 4.30"  
 2-Hole



New Part No.	Original Part No.	Base Material	Tab Material	Ctn. Qty.
1020239	1020239	16 ga. G-90 Galv.	22 ga. G-90 Galv.	70
1184717 with Sealant	1184717 with Sealant	16 ga. G-90 Galv.	22 ga. G-90 Galv.	70

## Float Clip 3-3/8" For 3" Panel

Height = 3.375"  
 Width = 4.30"  
 2-Hole

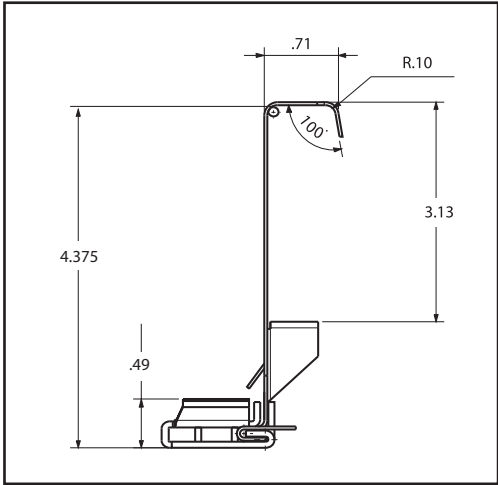
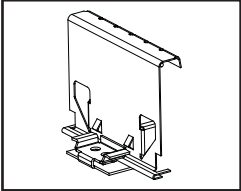


New Part No.	Original Part No.	Base Material	Tab Material	Ctn. Qty.
1020236	1020236	16 ga. G-90 Galv.	22 ga. G-90 Galv.	80

Drawings are for illustration purpose only. Dimensions are nominal inches unless otherwise noted. Engineering drawings should be referenced for exact tolerances and will be furnished upon request.

# Float Clips

**Float Clip 4-3/8"**  
**For 3" Panel**  
 Height = 4.375"  
 Width = 4.30"  
 2-Hole

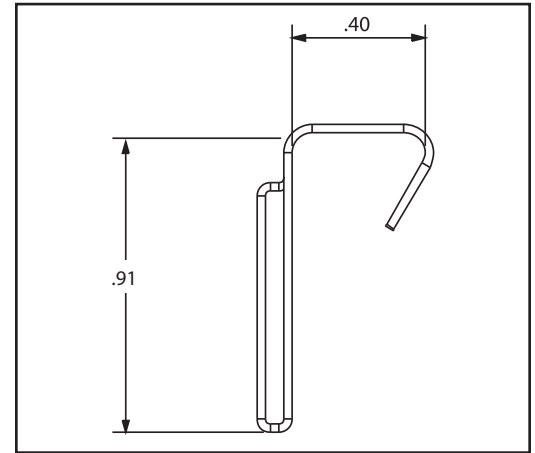
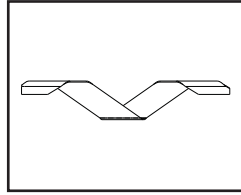


New Part No.	Original Part No.	Base Material	Tab Material	Ctn. Qty.
1020238	1020238	16 ga. G-90 Galv.	22 ga. G-90 Galv.	60



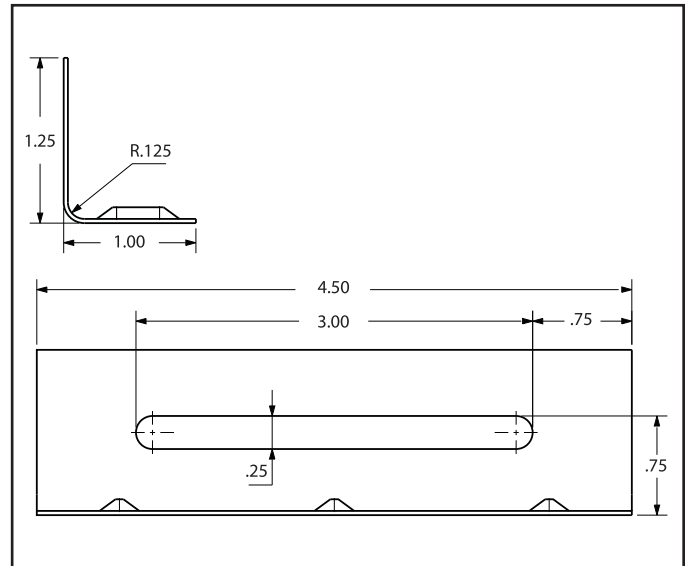
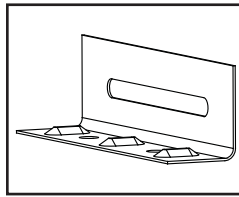
# Specialty Clips

## Butterfly Tab 1-1/2"



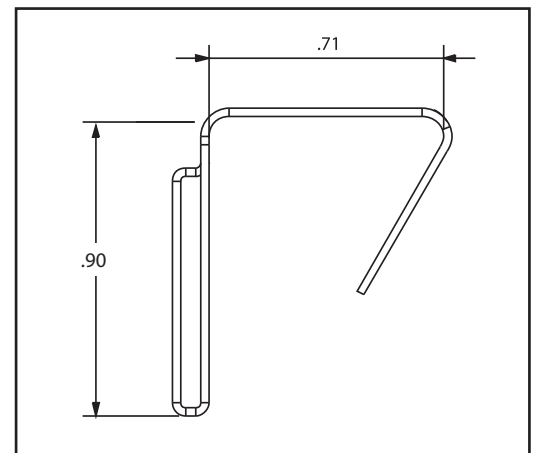
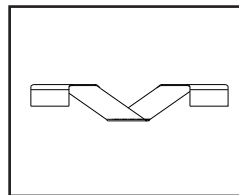
New Part No.	Original Old Part No.	Material	Ctn. Qty.
1238708	1238708	24 ga. G-90 Galv.	200
1238709	1238709	24 ga. 304SS	200
1236937	1236937	26 ga. 304SS	200

## Butterfly Base 1-1/2" 2-Hole



New Part No.	Original Part No.	Material	Ctn. Qty.
1126602	1126602	22 ga. G-90 Galv.	200
1270019	1270019	22 ga. 304SS	200
1291593	1291593	26 ga. 304SS	200

## Butterfly Tab 2"



New Part No.	Original Part No.	Material	Ctn. Qty.
1216534	1216534	22 ga. G-90 Galv.	150
1342536	1342536	22 ga. 304SS	150

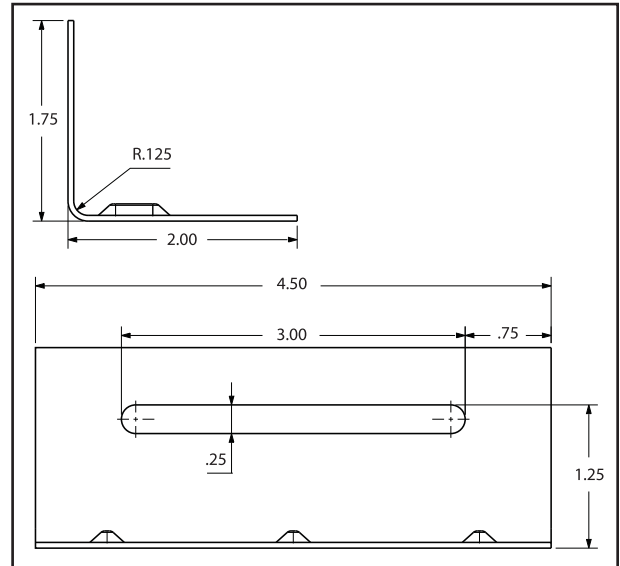
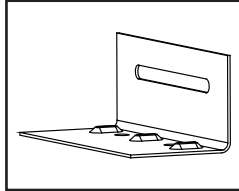
Distributed by: **BEST MATERIALS®**  
 Ph: 800-474-7570, 602-272-8128 Fax: 602-272-8014  
[www.BestMaterials.com](http://www.BestMaterials.com) Email: [Sales@BestMaterials.com](mailto:Sales@BestMaterials.com)

Drawings are for illustration purpose only. Dimensions are nominal inches unless otherwise noted. Engineering drawings should be referenced for exact tolerances and will be furnished upon request.

# Specialty Clips

## Butterfly Base 2"

2-Hole

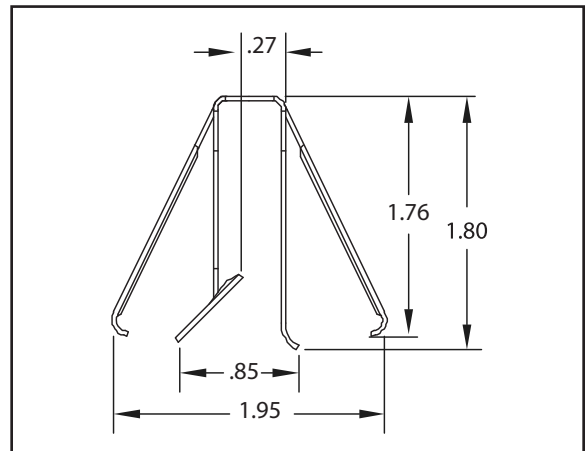
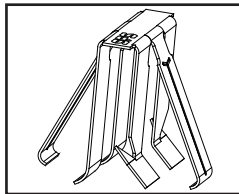


New Part No.	Original Part No.	Material	Ctn. Qty.
1126600	1126600	18 ga. G-90 Galv.	150

## Batten Trim (Spider) Clip

Height = 1.80"

Width = 1.50"

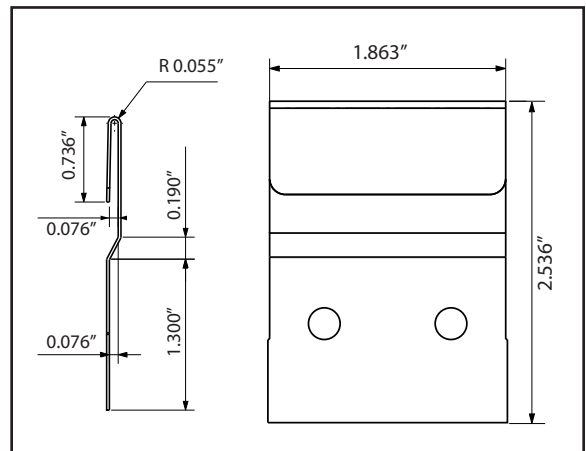
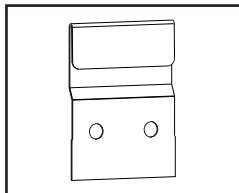


New Part No.	Original Part No.	Material	Ctn. Qty.
1324506	1324506	22 ga. G-90 Galv.	500
728473	M0540	22 ga. 304SS (1/4 hard)	500

## Bermuda (Wall) Clip

Height = 2.54"

Width = 1.86"

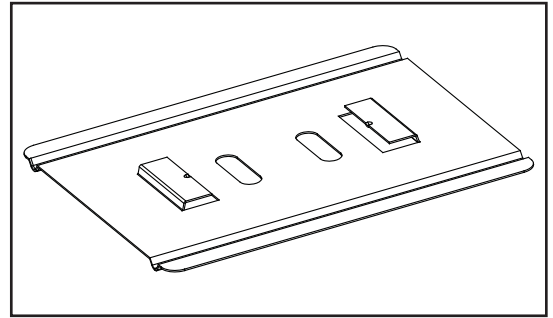


New Part No.	Original Part No.	Material	Ctn. Qty.
1239568	1239568	24 ga. 304SS	500

# Bearing Plates

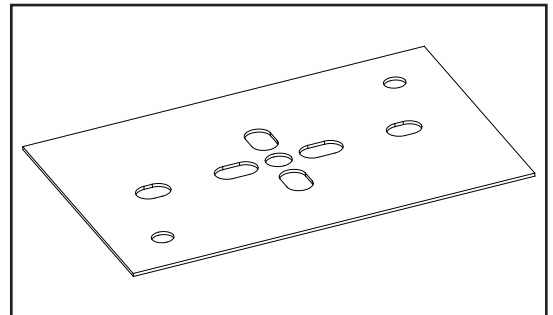
## Snap Lock Bearing Plate

New Part No.	Original Part No.	Dimension	Material	Ctn. Qty.
1273465	1273465	4.75" x 6"	24 ga. G-90 Galv.	125



## Universal Bearing Plate

New Part No.	Original Part No.	Dimension	Material	Ctn. Qty.
1273467	1273467	4" x 6"	18 ga. G-90 Galv.	125
1273469	1273469	4" x 6"	20 ga. G-90 Galv.	125
1273470	1273470	4" x 6"	22 ga. G-90 Galv.	125
1273482	1273482	4" x 6"	24 ga. G-90 Galv.	125
1273483	1273483	4" x 5"	18 ga. G-90 Galv.	125
1273484	1273484	4" x 5"	20 ga. G-90 Galv.	125
1273487	1273487	4" x 5"	22 ga. G-90 Galv.	125
1273488	1273488	4" x 5"	24 ga. G-90 Galv.	125



Distributed by: **BEST MATERIALS**®  
 Ph: 800-474-7570, 602-272-8128 Fax: 602-272-8014  
[www.BestMaterials.com](http://www.BestMaterials.com) Email: [Sales@BestMaterials.com](mailto:Sales@BestMaterials.com)

Drawings are for illustration purpose only. Dimensions are nominal inches unless otherwise noted. Engineering drawings should be referenced for exact tolerances and will be furnished upon request.

# Panel Clip Fasteners

- Designed with unique head styles, drill point configurations and material types to meet performance requirements to attach standing seam roof clips.

- Engineered profile features preventing panel damage from fastener head contact.
- Engineered installation torque drive control for uniform installation performance.

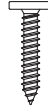
## Application

### #10 Type A: Pancake Head

#### #2 Square Drive

Carbon Steel, Zinc Plated

Metal to wood



Head Height: .080 – .068  
Head Dia: .447 – .423  
Thread Major Dia: .194 – .188  
Thread Minor Dia: .133 – .126

<b>Strength (lbs ult.):</b>	<b>Carbon</b>	<b>Stainless</b>
Tensile:	1825	1653
Torsional:	48 in-lbs	50 in-lbs
Shear:	1535	1587

### #10 Type A: Pancake Head

#### #2 Square Drive

300 Series Stainless Steel

Metal to wood



#### #10 Type A, Pull-out (lbs ult.):

SPF wood:  
1" penetration: 544  
1-1/2" penetration: 995

#### #10 Self Drill, Pull-out (lbs ult.):

12 ga (.105): 1782  
14 ga (.075): 1072  
16 ga (.060): 782

### #10 Self-Drill: Pancake Head

#### #2 Square Drive

Carbon Steel, Zinc Plated

Metal to metal

Min projection: 3/8" of threads  
below substrate

### #12–8 XG Low Profile Head

#### #2 Square Drive

Carbon Steel, Zinc Plated

Metal to wood



Head Height: .040 – .030  
Head Dia: .447 – .423  
Thread Major Dia: .215 – .209  
Thread Minor Dia: .133 – .127

#### Strength (lbs ult.):

Tensile: 2183  
Torsional: 60 in-lbs  
Shear: 1946

#### Performance (lbs ult.): Pull-out

SPF 1" Penetration	583
SPF 1-1/2" Penetration	1029
1x4" Pine	590
3/4" Plywood	583
5/8" Plywood	368
1/2" Plywood	357
23/32" OSB	412
19/32" OSB	336
15/32" OSB	225

### #12–8 XG Sharp Point: Pancake Head

#### #2 Square Drive

Carbon Steel, Zinc Plated

Metal to wood



Head Height: .080 – .068  
Head Dia: .447 – .423  
Thread Major Dia: .215 – .209  
Thread Minor Dia: .133 – .127

#### Strength (lbs ult.):

Tensile: 2183  
Torsional: 60 in-lbs  
Shear: 1946

#### Performance (lbs ult.): Pull-out

SPF 1" Penetration	583
SPF 1-1/2" Penetration	1029
1x4" Pine	590
3/4" Plywood	583
5/8" Plywood	368
1/2" Plywood	357
23/32" OSB	412
19/32" OSB	336
15/32" OSB	225

Distributed by: **BEST MATERIALS®**  
Ph: 800-474-7570, 602-272-8128 Fax: 602-272-8014  
[www.BestMaterials.com](http://www.BestMaterials.com) Email: [Sales@BestMaterials.com](mailto:Sales@BestMaterials.com)

Drawings are for illustration purpose only. Dimensions are nominal inches unless otherwise noted. Engineering drawings should be referenced for exact tolerances and will be furnished upon request.

# Panel Clip Fasteners

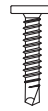
## Application

**#12 Type A: Pancake Head**  
**#2 Square Drive**  
Carbon Steel , Zinc Plated  
Metal to wood



Head Height: .080 – .068  
Head Dia: .447 – .423  
Thread Major Dia: .221 – .215  
Thread Minor Dia: .162 – .155  
**Strength (lbs ult.):**  
Tensile: 1940  
Torsional: 90 in-lbs  
Shear: 1805  
**Pull-out (lbs ult.):**  
SPF wood:  
1" penetration: 622

**#12 Self-Drill: Pancake Head SD2**  
**#2 Square Drive**  
Carbon Steel , Zinc Plated  
Metal to metal

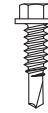


Drilling Capacity: .035 - .210  
Min projection: 3/8" of threads  
below substrate .

Head Height: .090 – .078  
Head Dia: .447 – .423  
Thread Major Dia: .215 – .209  
Thread Minor Dia: .164 – .157  
**Strength (lbs ult.):**  
Tensile: 2900  
Torsional: 92 in-lbs  
Shear: 2050  
**Pull-out (lbs ult.):**  
12 ga (.105): 1539  
14 ga (.075): 1010  
16 ga (.060): 724

**1/4 -14 SD2 HWH**

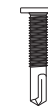
Drilling capacity (#2 point): .050 – .150  
Attachment thickness:  
Thickness is based on normal,  
single thickness purlin/girt or  
multiple material thickness  
combined for total.  
Min projection: 3/8" of threads  
below substrate



5/16" AF Hex Washer Head  
3/8" AF Hex Washer Head  
Thread Major Dia: .246 – .240  
Thread Minor Dia: .192 – .185  
**Strength (lbs ult.):**  
Tensile: 3800  
Torsional: 150 in-lbs  
Shear: 2850  
**#2 Point, Pull-out (lbs ult.):**  
12 ga (.105): 2088  
14 ga (.075): 1312  
16 ga (.060): 903

**12-24 SD5: Pancake Head**  
**#2 Square Drive**  
Carbon Steel, Zinc Plated  
Metal to metal

Drilling capacity: .075 – .500  
Attachment thickness:  
Thickness is based on normal,  
single thickness purlin/girt or  
multiple material thickness  
combined for total.  
Min projection: 3/8" of threads  
below substrate



Head Height: .090 – .078  
Head Dia: .447 – .423  
Thread Major Dia: .216 – .210  
Thread Minor Dia: .186 – .181  
**Strength (lbs ult.):**  
Tensile: 3450  
Torsional: 100 in-lbs  
Shear: 2420  
**Pull-out (lbs ult.):**  
12 ga (.105): 1378  
3/16" (.187): Exceeds tensile value  
1/4" (.250): Exceeds tensile value

## Notes

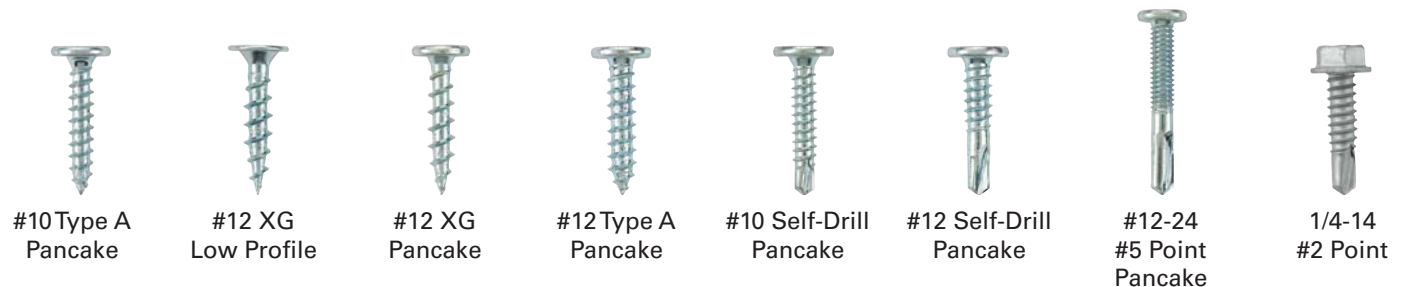
Dimensions are nominal inches unless noted. Pull-out values (pounds ultimate) are based on 50,000 psi hot rolled steel sheet material. Ultimate values listed are the result of laboratory testing. The specific job conditions should be considered and appropriate safety factors applied when specifying the proper fasteners.

**Fasteners installed in less than 1" of solid wood may have an increased potential for a connection failure over time. This may be due to the fasteners being stripped out during installation and/or due to the lack of adequate wood fiber material to hold the fastener in place when forces are exerted upon the connection.**

# Panel Clip Fasteners

## Selection

Description	New Part No.	Original Part No.	North American Code
<b>Metal to Wood Application</b>			
<b>#10 Type A Pancake, Carbon Steel</b>			
10 x 1"	1545869	A1191F	CSTA-#10x1-PC-SQ2
10 x 1-1/2"	1545862	A1351F	CSTA-#10x1-1/2-PC-SQ2
10 x 2"	1545882	A1391F	CSTA-#10x2-PC-SQ2
<b>#10 Type A Pancake, 304 Stainless Steel</b>			
10 x 1"	1545891	E0235F	CSTA-S3-#10x1-PC-SQ2
10 x 2"	1545895	E0271F	CSTA-S3-#10x2-PC-SQ2
<b>#12 XG Low Profile</b>			
12-8 x 1"	1545904		CSXG-#12x1-WF-SQ2
12-8 x 1-1/2"	1545899		CSXG-#12x1-1/2-WF-SQ2
12-8 x 2"	1545908		CSXG-#12x2-WF-SQ2
<b>#12 XG Pancake</b>			
12-8 x 1"	1545902	A1900F	CSXG-#12x1-PC-SQ2
12-8 x 1-1/2"	1545898	A1940F	CSXG-#12x1-1/2-PC-SQ2
12-8 x 2"	1545907	A1950F	CSXG-#12x2-PC-SQ2
<b>#12 Type A Pancake</b>			
12 x 1"	1545886	A1710F	CSTA-#12x1-PC-SQ2
<b>Metal to Metal Application</b>			
<b>#10 Self-Drill Pancake</b>			
10-16 x 1" SD 2	1545832	S3431F	CSSD2-#10x1-PC-SQ2
10-16 x 1-1/2" SD 2	1545823	S4221F	CSSD2-#10x1-1/2-PC-SQ2
10-16 x 2" SD 2	1545841	S4421F	CSSD2-#10x2-PC-SQ2
<b>#12 Self-Drill Pancake</b>			
12 x 1" SD 2	1545849	S4552F	CSSD2-#12x1-PC-SQ2
<b>#12-24 # 5 Point Pancake</b>			
12-24 x 1-1/2" SD 5	1545855	S4750F	CSSD5-#12X1-1/2-PC-SQ2
<b>1/4-14 #2 Point 5/16 AF HWH</b>			
1/4-14 x 1-1/4" SD 2	798666	S5191F	SD2-#14x1-1/4-HW5/16
1/4-14 x 1-1/2" SD 2	504058	S5286F	SD2-#14x1-1/2-HW5/16
<b>1/4-14 #2 Point 3/8 AF HWH</b>			
1/4-14 x 1" SD 2	798596	S5171F	SD2-#14x1-HW3/8



## Installation

Tools: Wood application: 0-2500 rpm screw gun equipped with depth sensing nose piece.

Metal application: 0-2000 rpm screw gun equipped with depth sensing nose piece.

**Use of impact guns or hammer drill is not recommended.**

Drawings are for illustration purpose only. Dimensions are nominal inches unless otherwise noted. Engineering drawings should be referenced for exact tolerances and will be furnished upon request.