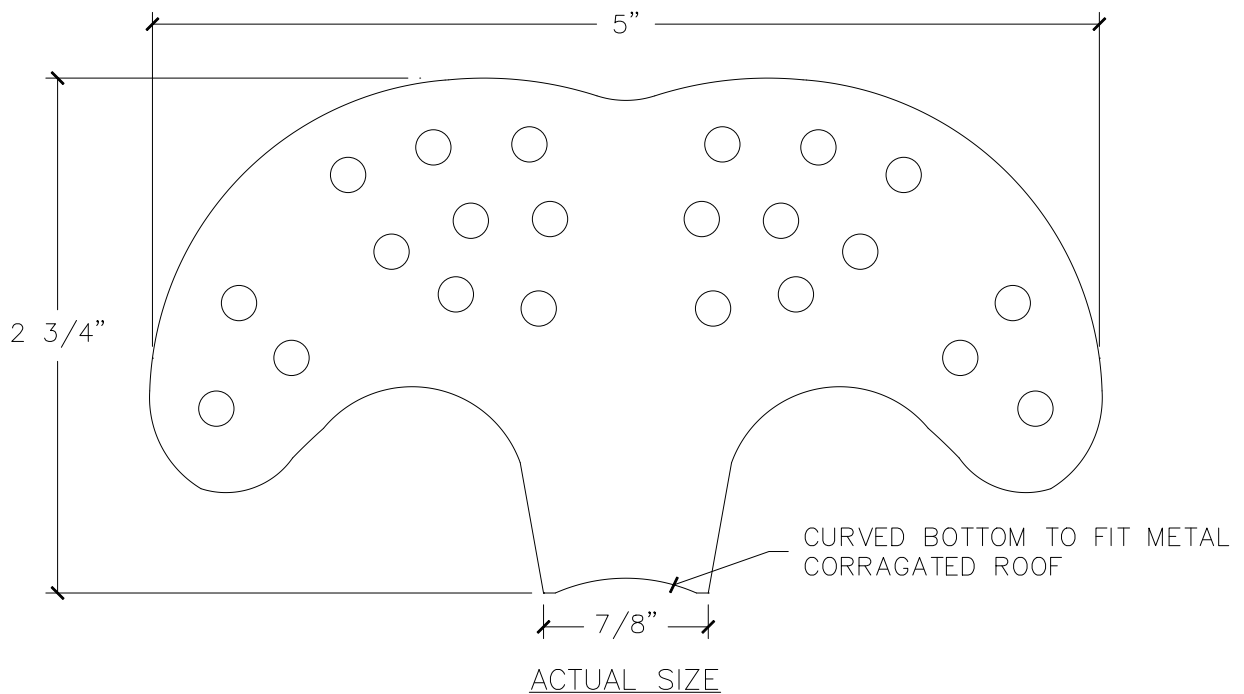
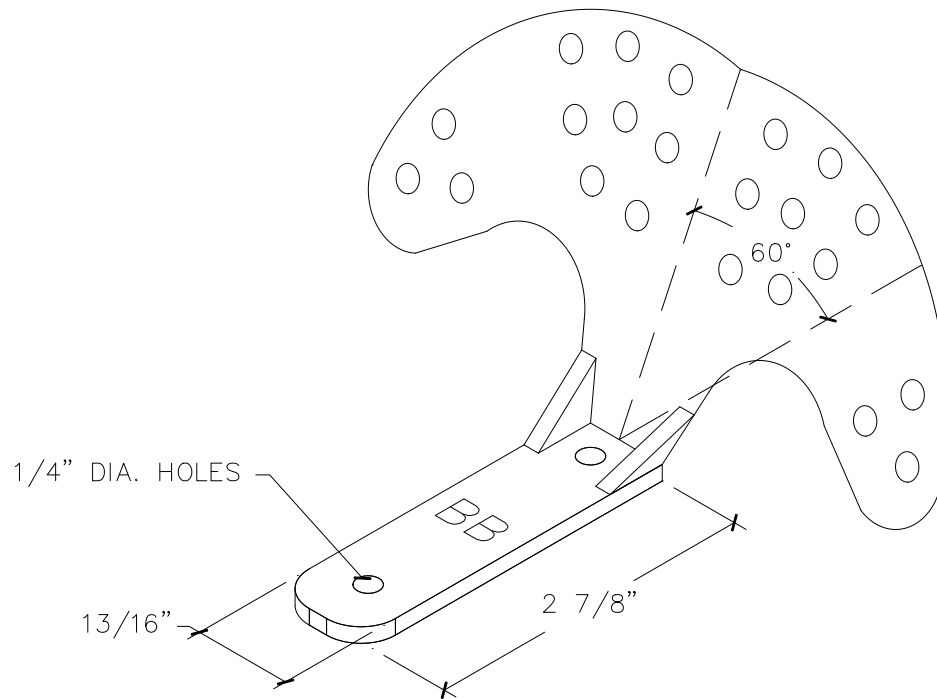


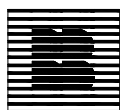
RESIDENTIAL SNOW GUARDS

No. 20 for METAL CORRUGATED



AVAILABLE MATERIALS: GALVANIZED MALLEABLE IRON

INFORMATION: DESIGNED TO FIT 1 1/4" OR 2 1/2" CORRUGATION. IT IS FASTENED WITH RIVETS TO THE PANEL OR NAILED THROUGH THE ROOF INTO THE STRUCTURAL MEMBER. IT FITS ON TOP OF THE CORRUGATION.



BERGER BROS CO.