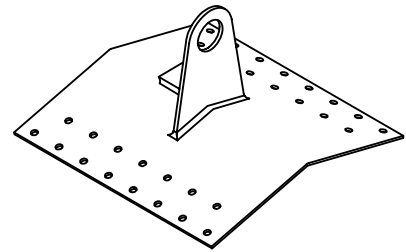
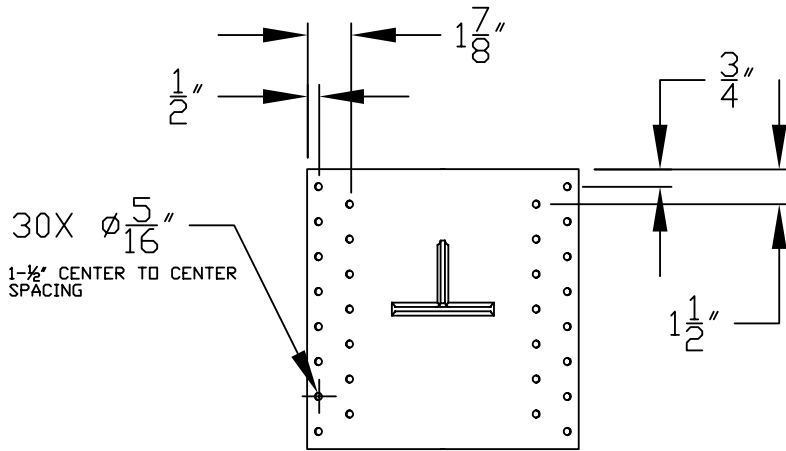


REVISIONS				
ZONE	REV	DESCRIPTION	DATE	APPROVED

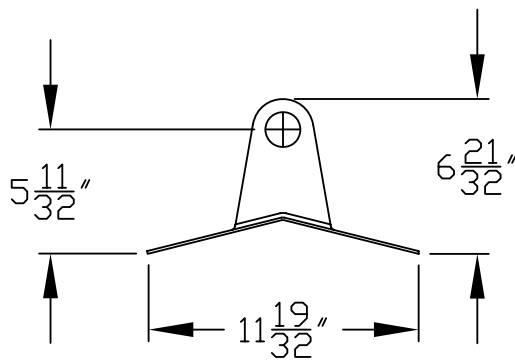


3D VIEW

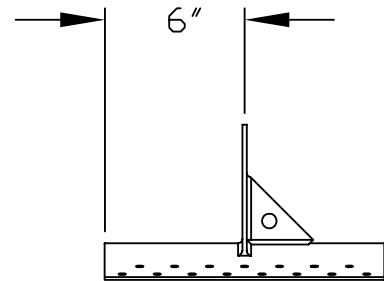


PLAN VIEW

DIMENSIONS SHOWN APPLY TO ACTUAL CENTER LINE LOCATION OF HOLES.



FRONT VIEW



SIDE VIEW

TOLERANCES: .XXX .XX .X ANGLES $\pm .003$ $\pm .06$ $\pm .1$ $\pm \frac{1}{4}$		TREAT: NONE	FINISH: NONE <input checked="" type="checkbox"/>	TITLE SKYHOOK ROOF ANCHOR 1/12 TO 3/12		
DESIGNED BY: B. WOODYARD	1992			DWG NO. SH-03		
DRAWN BY: PHIL GOMES	11/02/2004			SCALE: 1:8	SHEET: 1	
CHECKED BY: MATT VOLLMER	11/02/2004					
APPD BY: MATT VOLLMER	11/02/2004					