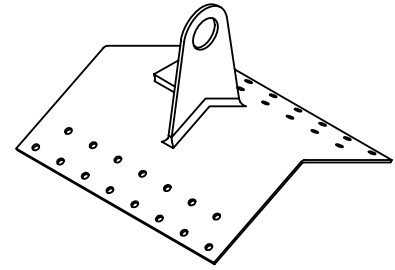
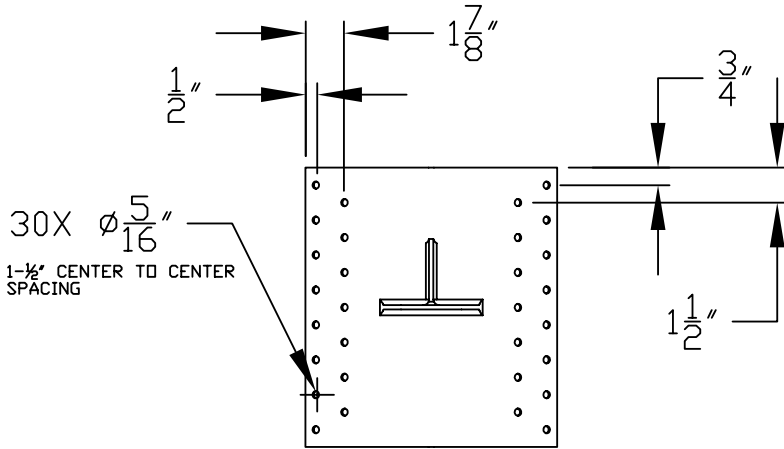


REVISIONS

ZONE	REV	DESCRIPTION	DATE	APPROVED
------	-----	-------------	------	----------

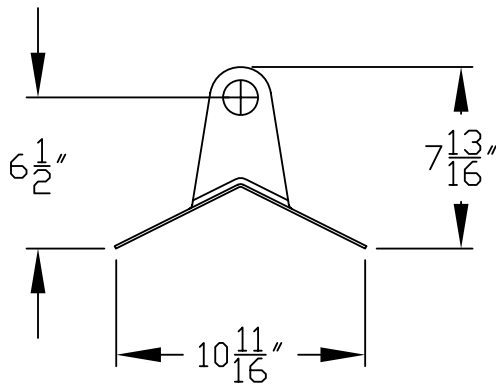


3D VIEW

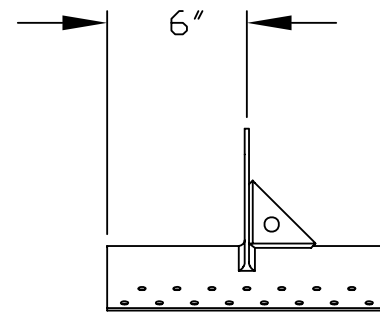


PLAN VIEW

DIMENSIONS SHOWN APPLY TO ACTUAL CENTER LINE LOCATION OF HOLES.



FRONT VIEW



SIDE VIEW

TOLERANCES: .XXX   .XX   .X   ANGLES $\pm .003$   $\pm .06$   $\pm .1$   $\pm \frac{1}{4}$		TREAT: NONE	FINISH: NONE <input checked="" type="checkbox"/>	TITLE SKYHOOK ROOF ANCHOR 4/12 TO 6/12		
DESIGNED BY: B. WOODYARD	1992			DWG NO. SH-06		
DRAWN BY: PHIL GOMES	11/02/2004			SCALE: 1:8	SHEET: 1	
CHECKED BY: MATT VOLLMER	11/02/2004					
APPD BY: MATT VOLLMER	11/02/2004					