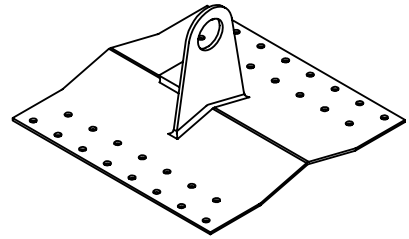
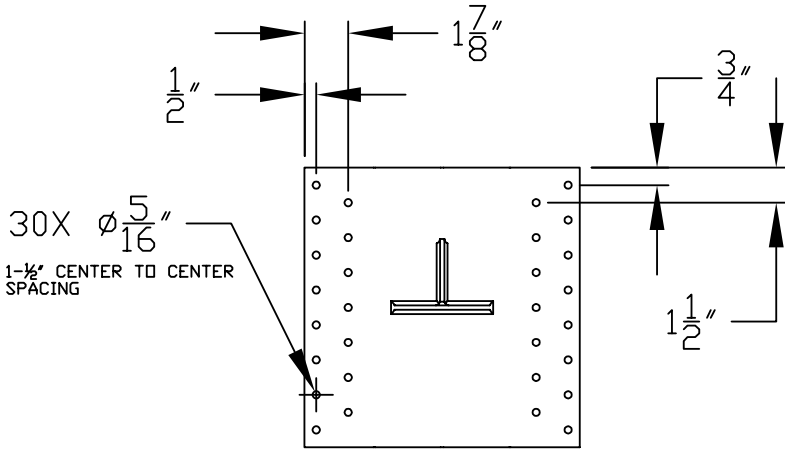


REVISIONS

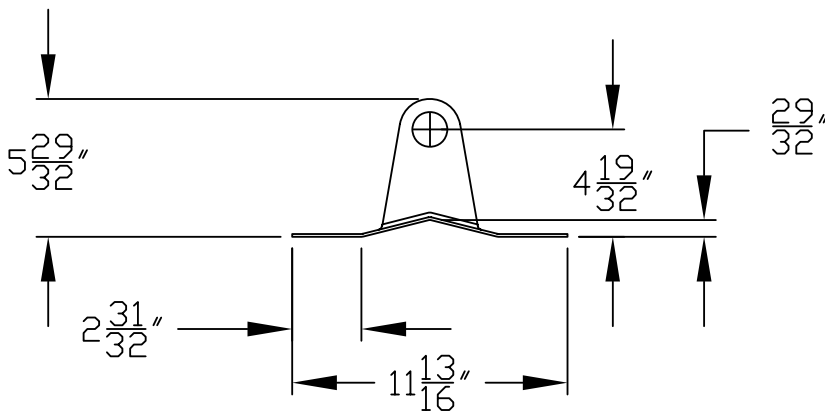
ZONE	REV	DESCRIPTION	DATE	APPROVED
------	-----	-------------	------	----------



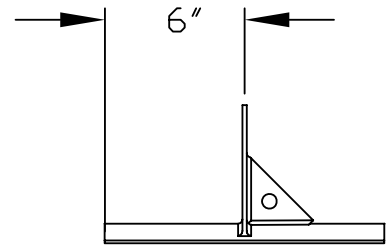
3D VIEW



PLAN VIEW



FRONT VIEW



SIDE VIEW

TOLERANCES: .XXX .XX .X ANGLES ± .003 ± .06 ± .1 ± 1/4		TREAT: NONE	FINISH: NONE	TITLE SKYHOOK ROOF ANCHOR FLAT		
DESIGNED BY: B. WOODYARD	1992			DWG NO. SH-00		SIZE A
DRAWN BY: PHIL GOMES	10/29/2004			SCALE: 1:8	SHEET: SHT #	
CHECKED BY: MATT VOLLMER	10/29/2004					
APPD BY: MATT VOLLMER	10/29/2004					