

# Downspout Nozzles and Covers

Fig. # 1770, 1771 and 1775

The Downspout Nozzle is used as a parapet overflow or at the base of a wall where a concealed leader discharges rainwater to the ground. The nozzle design diverts water away from the building, eliminating wall stains. The wall flange covers the rough opening.

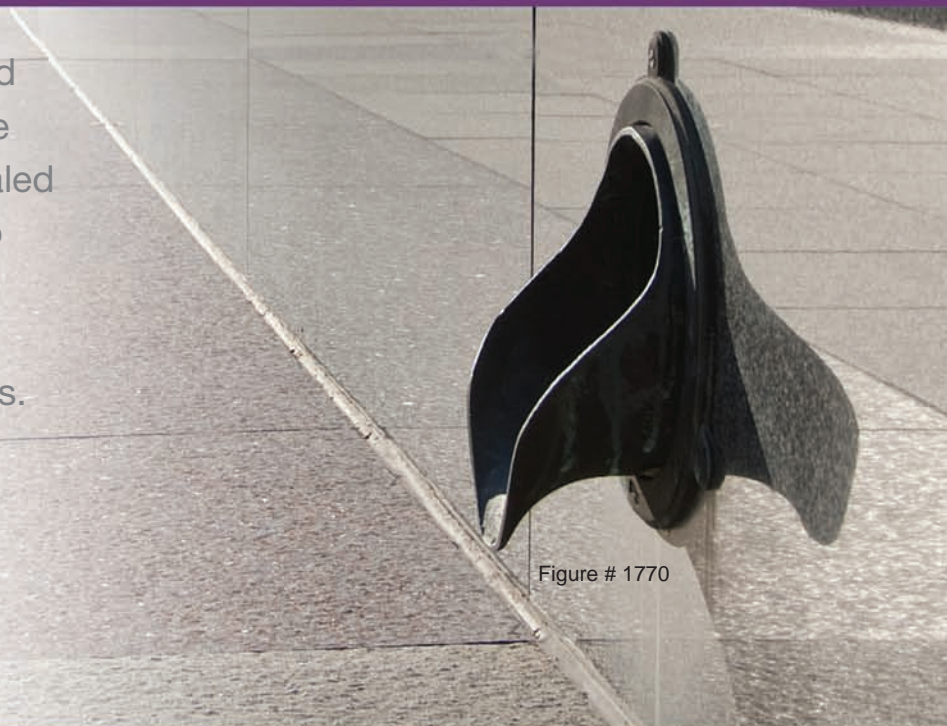


Figure # 1770



Fig. # 1770T

Fig. # 1770Y

Fig. # 1775

Fig. # 1771

## Product Features

- Nozzle design diverts water away from building, eliminating wall stains.
- Blends aesthetically with the outside of the building
- No sharp edges like other materials
- Nozzles are considered ornamental
- Wall flange covers rough opening
- Slides over or threads onto PVC and cast iron pipe
- Figure # 1770 - Available in threaded and no-hub
- Figure # 1771 - Set-screw version
- Figure # 1775 - Used as a downspout cover to conceal overflow leader

Downspout nozzles and covers by Jay R. Smith Mfg. Co. are a part of our Contractor Friendly Products. These products are designed with the installer in mind. They are designed to save time, require less manpower, and make the contractor's job easier.



**JAY R. SMITH MFG. CO.**  
Member of Acorn's Family of Companies

**Contractor Friendly Products  
by Jay R. Smith Mfg. Co.**

## Figure Number 1770

**FUNCTION:** Used as a parapet overflow or at the base of a wall where a concealed leader discharges rainwater to ground. Nozzle design diverts water away from building, eliminating wall stains. Wall flange covers rough opening and serves as anchor.

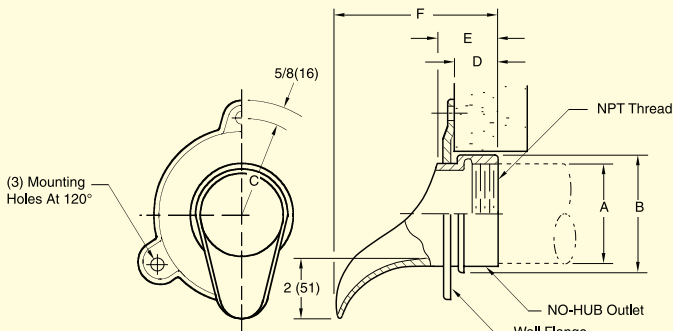


Fig. 1770T.....Threaded Outlet  
 Fig. 1770Y.....NO-HUB Outlet (02(50), 03(75), 04(100) and 06(150))

**NOTE:** Dimensions shown in parentheses are in millimeters.

	*		*		*		*		
A=PIPE	02(50)	03(75)	04(100)	05(125)	06T(150)	06Y(150)	08(200)	10(255)	12(305)
B=DIA	2 3/4 (70)	4 (100)	5 (125)	6 (150)	7 1/4 (185)	7 1/4 (185)	9 1/4 (235)	11 1/8 (283)	13 1/4 (335)
C=RAD	2 3/4 (70)	3 1/2 (89)	3 7/8 (98)	4 3/8 (111)	5 (125)	5 (125)	5 7/8 (149)	7 1/4 (185)	8 (205)
D	1 3/8 (35)	1 3/8 (35)	1 3/8 (35)	1 3/8 (35)	1 3/8 (35)	1 13/16 (46)	1 5/8 (41)	1 3/4 (44)	2 (51)
E	2 1/16 (52)	2 1/16 (52)	2 1/16 (52)	2 1/16 (52)	2 1/16 (52)	2 1/2 (64)	2 3/8 (60)	2 3/4 (70)	2 15/16 (75)
F	5 5/8 (143)	5 5/8 (143)	5 5/8 (143)	5 5/8 (143)	5 5/8 (143)	6 1/4 (160)	5 15/16 (149)	5 3/8 (138)	7 9/16 (192)

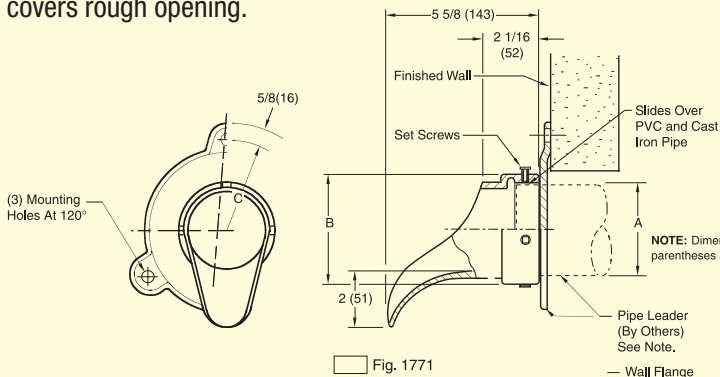
**REGULARLY FURNISHED:**  
 Cast Bronze Nozzle and Flange.

**VARIATIONS:**  
 Bird Screen -BS  
 NO-HUB Adaptor (specify Fig. 2646Y)  
 (5"(125), 8"(200), 10"(255) and 12"(305) only)

**OPTIONAL MATERIALS:**  
 Nickel Bronze -NB  
 Polished Bronze -PB

## Figure Number 1771

**FUNCTION:** Used as a parapet overflow or at the base of a wall where a concealed leader discharges rainwater to ground. Nozzle design diverts water away from building, eliminating wall stains. Wall flange covers rough opening.



**NOTE:** Dimensions shown in parentheses are in millimeters.

A = Pipe Size	02 (50)	03 (75)	04 (100)	05 (125)	06 (150)	08 (200)	10 (250)	12 (305)
B = DIA	2 3/4 (70)	4 (100)	5 (125)	6 (150)	7 1/4 (185)	9 1/4 (235)	11 1/8 (283)	13 1/4 (335)
C = RAD	2 3/4 (70)	3 1/2 (89)	3 7/8 (98)	4 3/8 (111)	5 (125)	5 7/8 (149)	7 1/4 (185)	8 (205)

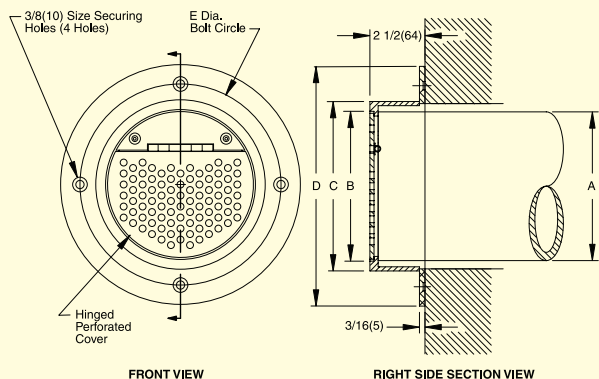
**REGULARLY FURNISHED:**  
 Cast Bronze Nozzle and Flange,  
 Machined Nozzle Slides Over PVC and Cast Iron Pipe.

**VARIATIONS:**  
 Bird Screen-BS

**OPTIONAL MATERIALS:**  
 Nickel Bronze -NB  
 Polished Bronze -PB

## Figure Number 1775

**FUNCTION:** Used as a downspout cover on a wall where an overflow roof drain concealed leader discharges rainwater to the ground.



**NOTE:** Dimensions shown in parentheses are in millimeters.

**REGULARLY FURNISHED:**  
 Fabricated Type 304 Stainless Steel  
 Downspout Cover with Hinged Perforated Cover.

**VARIATIONS:**  
 Vandal Proof -U

**OPTIONAL MATERIALS:**  
 Fabricated Polished Brass -PB  
 Fabricated Chrome Plated Brass -CP

A (Pipe Size)	B DIA.	C DIA.	D DIA.	E DIA.
0150(38)	3 1/2(89)	4 1/2(115)	7 11/16(194)	6(150)
02(50)	3 1/2(89)	4 1/2(115)	7 11/16(194)	6(150)
03(75)	3 1/2(89)	4 1/2(115)	7 11/16(194)	6(150)
04(100)	4 9/16(116)	5 9/16(142)	8 3/4(220)	7 1/8(181)
05(125)	5 5/8(143)	6 5/8(168)	9 13/16(251)	8 1/4(210)
06(150)	6 11/16(169)	7 11/16(194)	10 7/8(278)	9(230)
08(200)	8 11/16(219)	9 11/16(249)	12 7/8(328)	11 1/4(285)
10(250)	10 13/16(276)	11 13/16(301)	15(380)	13 1/2(345)
12(305)	12 13/16(326)	13 13/16(351)	17(430)	15 1/2(395)
15(380)	16(405)	16 15/16(429)	20 1/8(513)	18 1/2(470)

Fig. 1775.....DOWNSPOUT COVER

For more information on our downspout nozzles, covers, and other products, visit [www.jrsmith.com](http://www.jrsmith.com).



**JAY R. SMITH MFG. CO.**  
 Member of Acorn's Family of Companies  
 POST OFFICE BOX 3237 MONTGOMERY, ALABAMA 36109-0237 (USA)  
 TEL: 334-277-8520 FAX: 334-272-7396 www.jrsmith.com



FAMILY OF COMPANIES

SPM0541  
 03/11