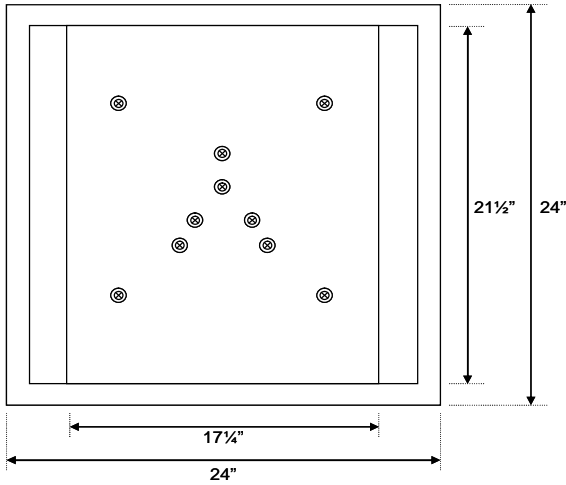


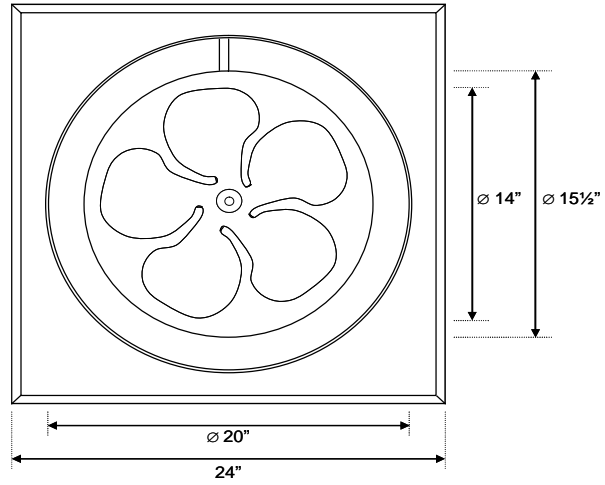
Technical Data Sheet

Model: AB-403
Description: Solar powered ventilation fan; remote mounted PV panel; curb-mounted housing; natural finish
Revision: 1
Date: 11-Aug-10
DCN: TDS-1029

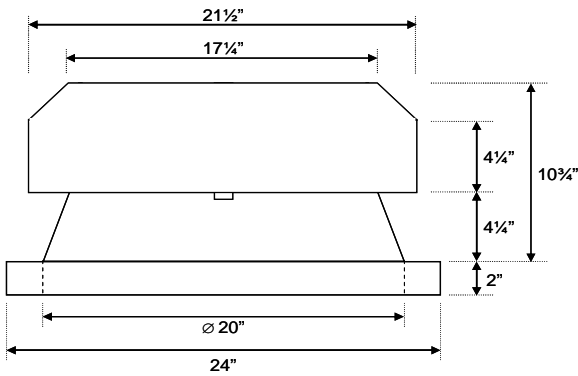
Top View



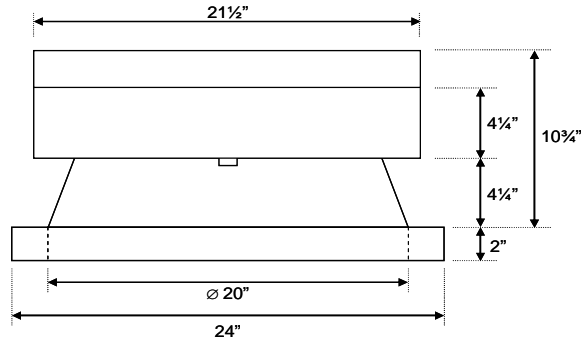
Bottom View



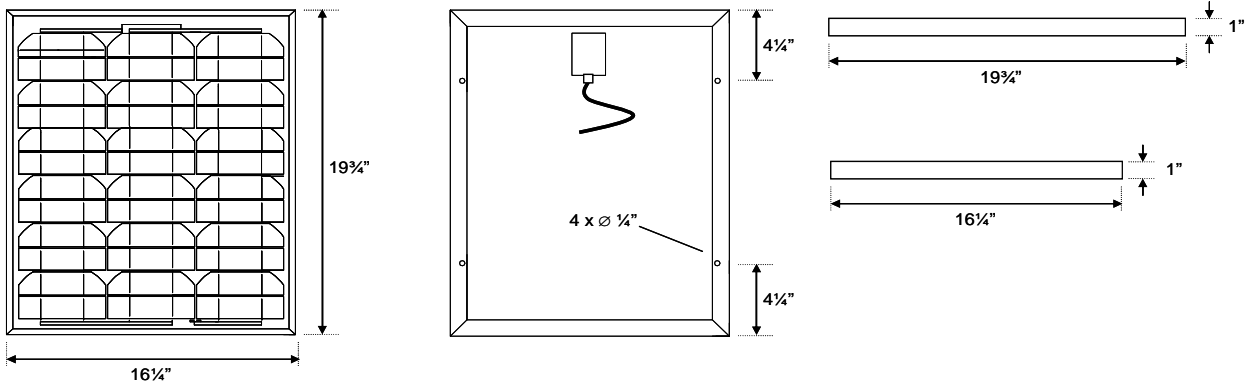
Front View



Side View



Remote Solar Panel



Distributed by: [BEST MATERIALS ® LLC](http://BESTMATERIALS.COM)
 Ph: 800-474-7570, 602-272-8128 Fax: 602-272-8014
www.BestMaterials.com Email: Sales@BestMaterials.com



Solar Powered Ventilation Products

Model AB-403 Specifications

Material of Construction

Fan Housing: 24 GA Zincolume (ASTM A792 - 55% Aluminum-Zinc Alloy Coated by Hot-Dip Process)
Rodent Screen: 1/4" Mesh Stainless Steel Screen
Fan Blade: Proprietary 14" 5-Wing Aluminum Blade with Integrated Balanced Hub
PV Panel: Anodized Aluminum Frame with Impact Resistant Tempered Glass
Finish: Natural Zincolume
Hardware: Stainless Steel Brackets & Fasteners

Electrical

Motor: Proprietary 38V variable speed DC motor
PV Panel: (2) Proprietary 20W monocrystalline panels, 36 cells
Internal Wiring: 14 AWG; Wired Ready for Manual or Automatic Control
Remote Cable: (2) SJEOOW (or equivalent) UV/Weather Resistant Cables; 15' x 18AWGX2C
Termination: UV/Weather Resistant Quick Connect Plugs

Performance

Air Movement: 1800 CFM @ 0.0 inH₂O
Noise Level: < 1 sones (< 30 dB)
Wind Rating: +115 PSF/-115 PSF; +170 MPH Wind Speed Equivalence*

Weight Load

Fan Unit: 22 LBS
Remote Panel: 6 LBS (total array 12 LBS)

* Wind speed equivalence based on 30 foot mean roof height in Exposure B; wind zones 1-3; all roof pitches apply

Distributed by: [BEST MATERIALS ® LLC](#)

Ph: 800-474-7570, 602-272-8128 Fax: 602-272-8014

www.BestMaterials.com Email: Sales@BestMaterials.com

Attic Breeze

Solar Powered Ventilation Products