



SNOW BRACKET™ B

DESCRIPTION

- Designed for use with concrete tiles 15" in length which are installed using horizontal battens
- No fasteners required
- Can be powder coated to match roofing material color
- Overall dimensions: 16-3/4" L X 1-3/16" W X 4-5/8" H

MATERIALS

- Steel :: 16 ga (ASTM A879)
- Copper :: 48 oz (ASTM B152)
- Stainless Steel :: 16 ga (ASTM A240)
- Aluminum :: .063" (H32 - ASTM B209)

COLORS/FINISHES

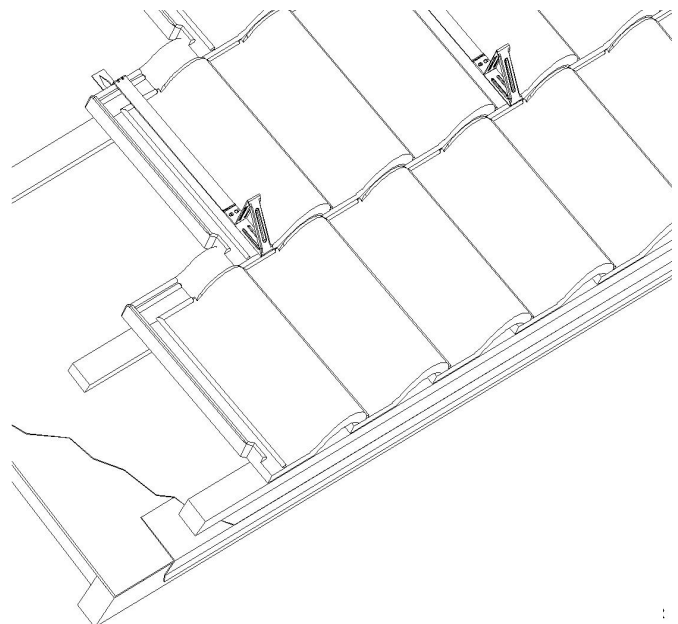
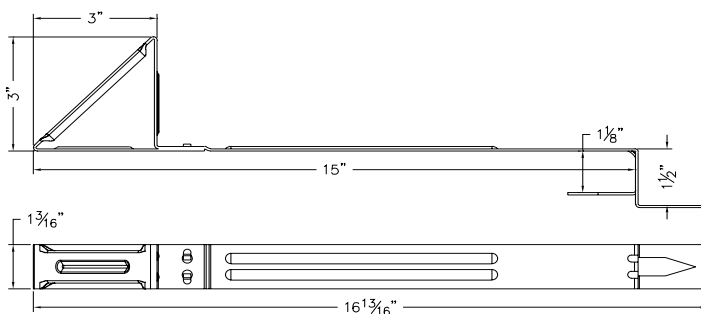
- Electro-galvanized steel
- Hot-dipped galvanized steel
- Mill finish Aluminum
- Mill finish Copper
- Powder coating available in many colors visit <http://trasnowandsun.com/color-chart/> to see color chart

NOTE: Due to specific job conditions, TRA Snow and Sun will only warranty a snow retention system/layout that has been designed by TRA Snow and Sun.



FOR NEW CONSTRUCTION OR RETROFIT

USED ON: BARTILE, VANDEHEY AND OTHER SIMILAR TILES



Bracket is installed with triangular end of bracket at butt end of roof tile and upper end under the course above.

SNOW RETENTION SYSTEMS