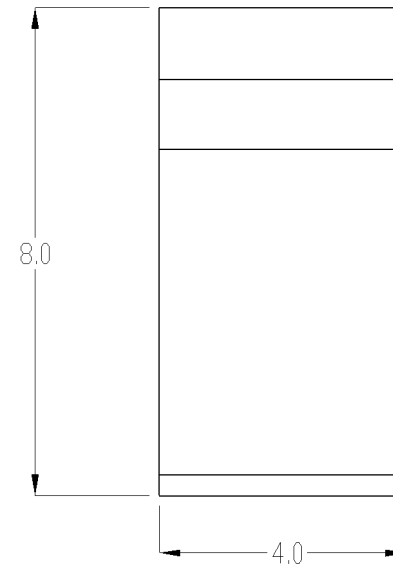
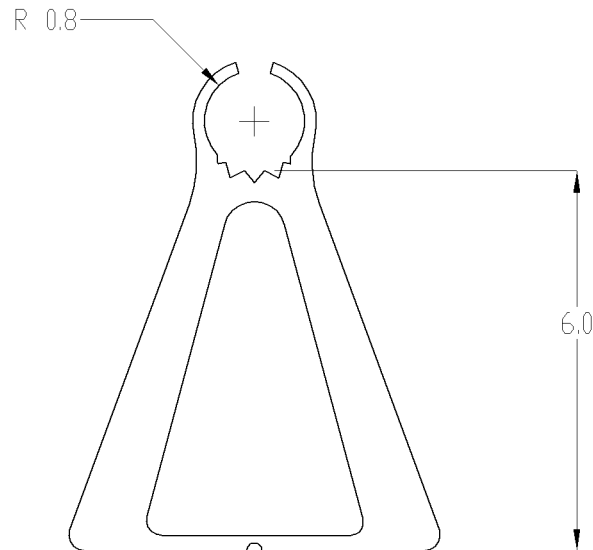
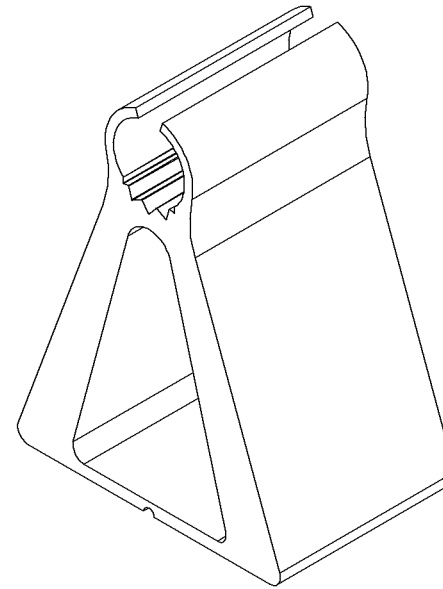
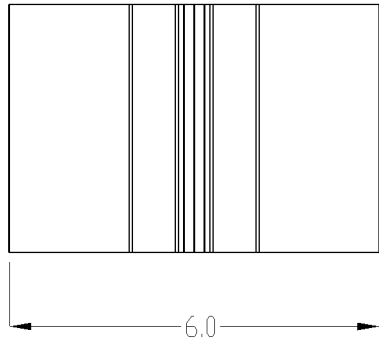


Distributed by: BEST MATERIALS LLC
 Ph: 1-800-474-7570, 1-602-272-8128 Fax: 1-602-272-8014
 Email: sales@bestmaterials.com www.bestmaterials.com



APPLICATIONS

- DESIGNED SPECIFICALLY FOR COMMON ROOFTOP PIPE SIZES $\frac{3}{4}$ TO 2 INCHES IN DIAMETER.
- MAXIMUM LOAD CAPACITY PER SUPPORT - 650 LBS.

NOTES:

1. REFER TO ROOF MEMBRANE MANUFACTURER FOR THEIR APPROVED INSTALLATION DETAIL.
2. MADE FROM WEATHER RESISTANT EPDM.



PipeGuard
 ROOFTOP PIPE SUPPORTS

OMG Inc.
 153 Bowles Road
 Agawam, MA 01001
 800-633-3800
 info@olyfast.com
 www.olyfast.com

| | | | |
|---------------------------|----------------|---------------------|---------------|
| NAME: TallSmall PipeGuard | | | |
| DRWN. BY: JLM | DATE: 03/07/12 | SKU: PGTS-BK | |
| APPD. BY: DG | DATE: | SCALE: NOT TO SCALE | SHEET: 1 OF 1 |