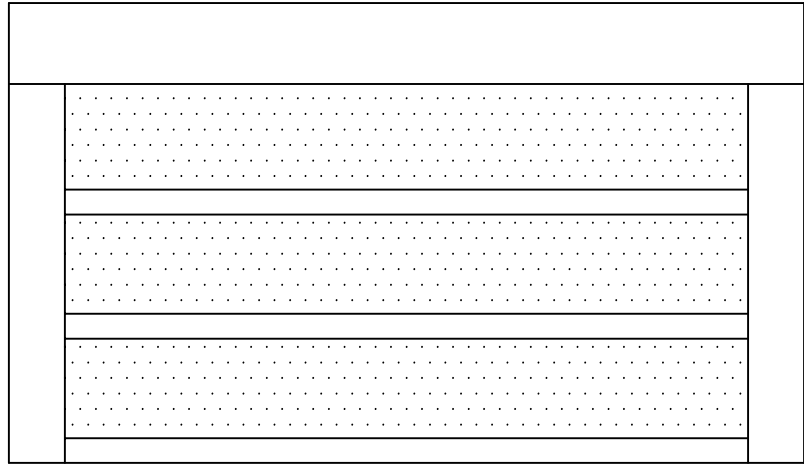
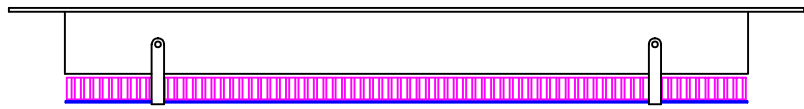


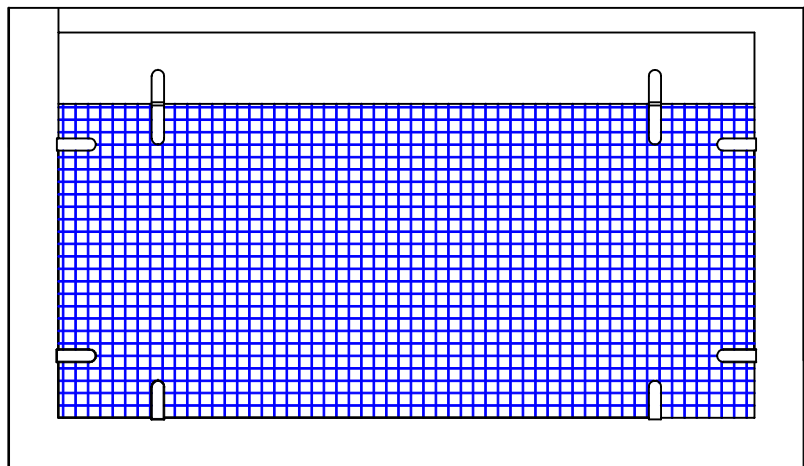
Distributed by: BEST MATERIALS LLC  
 Ph: 1-800-474-7570, 1-602-272-8128 Fax: 1-602-272-8014  
 Email: sales@bestmaterials.com www.bestmaterials.com



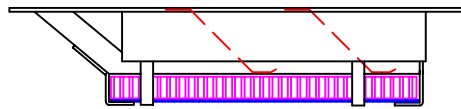
Front Elevation



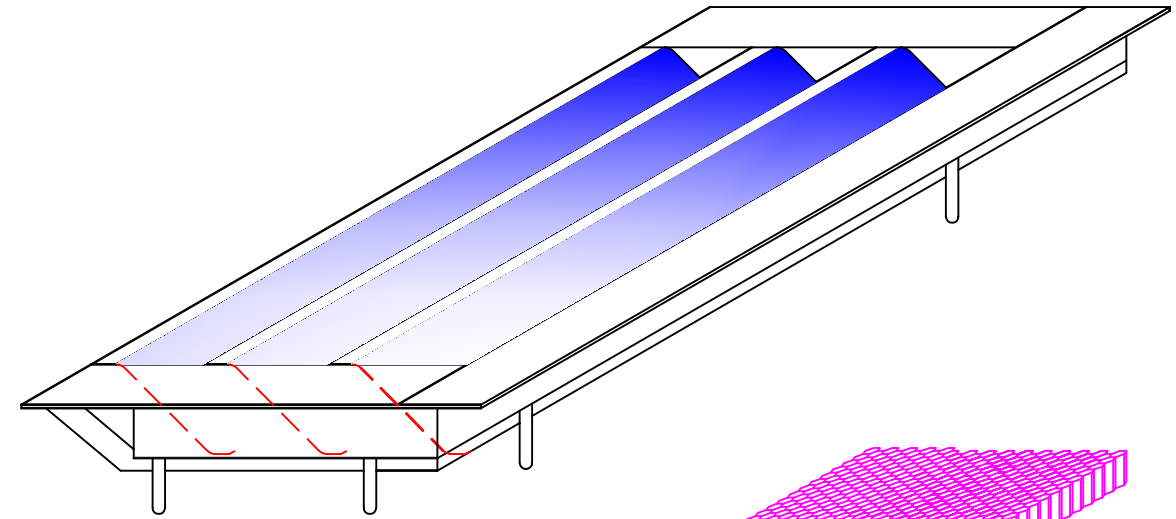
Side Elevation



Rear Elevation

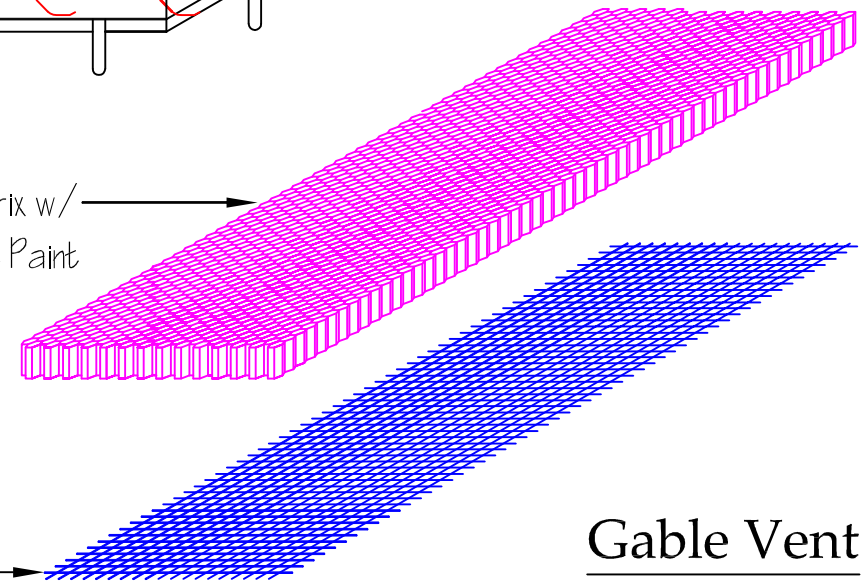


End Elevation



Honeycomb Matrix w/  
Intumescent Paint

Galvanized Mesh



**Gable Vent**

GMFG#	SIZE	PART
VG148FF	14" x 8"	Gable
VG1412FF	14" x 12"	Gable
VG1418FF	14" x 18"	Gable
VG1424FF	14" x 24"	Gable



Exclusive Producers of:  
**Vulcan Vent®**  
**Fire Safe Vents**  
 916-626-2400 / Fax. 916-647-0477  
 P.O. Box 1126 · Loomis CA 95650  
 Larry.guntermfg@gmail.com

Woodsiding Gable Vent