



WeatherBond PVC

PVC Universal Corners



Overview

WeatherBond's labor-saving, pre-molded PVC Universal Corners are ideal for flashing corners on a variety of details. Installation is quick and simple with no stretching required.

WeatherBond PVC Universal Corners are a part of the Certified Fabricated Accessory (CFA) program and can be used on PVC and KEE HP membranes. CFAs are the only factory-fabricated PVC accessories that meet the stringent quality tolerances required to be included in a WeatherBond roofing system.

Features and Benefits

- Conforms easily to details on new construction installations, where right angles are common
- Each Universal Corner can be cut into one outside corner or one inside corner
- Large, 6"-wide deck flange reduces the need for T-Joint Covers (when used as an outside corner)
- Provides a substantial labor savings compared to field-fabricating from non-reinforced flashing
- More professional, consistent appearance than field-fabricated corners

Installation

See the diagram below for cutting instructions. The cutting instructions are also molded into each part. Use a lower temperature setting on the heat welder than when welding reinforced PVC membrane. Typically, a setting of 6 on a scale of 10 is appropriate for welding Universal Corners.

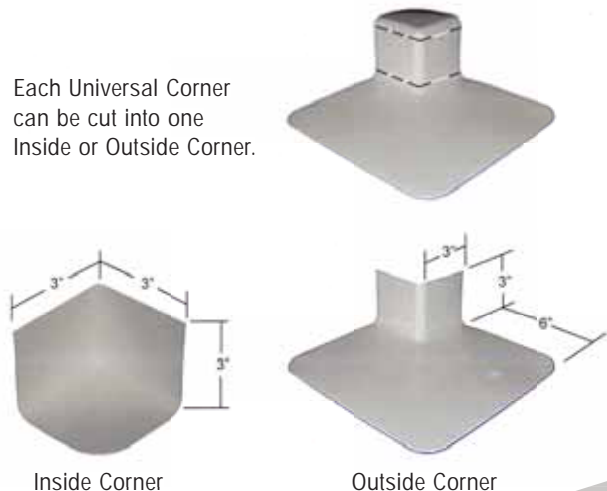
Outside Corner

1. Clean the surface to be welded with PVC Membrane Cleaner.
2. Place the outside corner into position over the outside intersection of the corner.
3. Begin welding at the bottom point of the outside corner. Weld straight up the vertical portion of the corner. Weld each side of the outside corner, working from the inside toward the outside.
4. Weld the bottom flange starting on the inside and working towards the outer edges. Use the edges of the roller to crease the corner into any membrane step-off to create a proper seal.
5. Once the material has completely cooled, probe all welded edges of the corner to ensure watertight performance.

Inside Corner

1. Clean the surfaces to be welded with PVC Membrane Cleaner.
2. Position the inside corner into the corner setting. Begin welding at the innermost corner point and work up and away from the corner. Weld each side of the inside corner, working from the inside toward the outside.
3. Weld the bottom flange starting on the inside and working towards the outer edges. Use the edge of the roller to crease the corner into any membrane step-off to create a proper seal.
4. Once the material has completely cooled, probe all welded edges of the corner to ensure watertight performance.

REVIEW CURRENT WEATHERBOND INSTALLATION INSTRUCTIONS FOR SPECIFIC INSTALLATION REQUIREMENTS.



Each Universal Corner can be cut into one Inside or Outside Corner.



WEATHERBOND
ROOFING SYSTEMS

Precautions

Store PVC Universal Corners in a cool, shaded area and cover with light-colored, breathable, waterproof tarpaulins. PVC Universal Corners or PVC membrane that has been exposed to the weather prior to use must be prepared with Weathered Membrane Cleaner before hot-air welding.

LEED® Information

Pre-consumer Recycled Content	0%
Post-consumer Recycled Content	0%
Manufacturing Location	Bloomington, IL

Typical Properties and Characteristics

Property	Results
Thickness	0.060" (1.5 mm)
Packaging	20 per carton
Color	White, gray, and tan
Material	Injection-molded PVC

Typical properties and characteristics are based on samples tested and are not guaranteed for all samples of this product. This data and information is intended as a guide and does not reflect the specification range for any particular property of this product.



WEATHERBOND
ROOFING SYSTEMS

Single-Ply Simplified

P.O. Box 251 | Plainfield, PA 17081 | 866.471.5125 | FAX: 717.960.4034 | www.weatherbondroofing.com

© 2017 WeatherBond. 09.20.17
WeatherBond is a trademark of WeatherBond. LEED is a registered trademark of the U.S. Green Building Council.