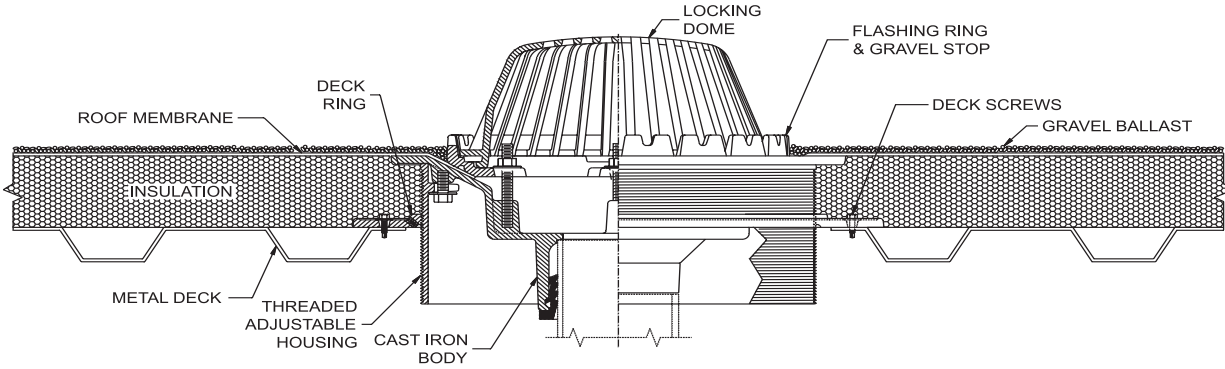


Typical Installations

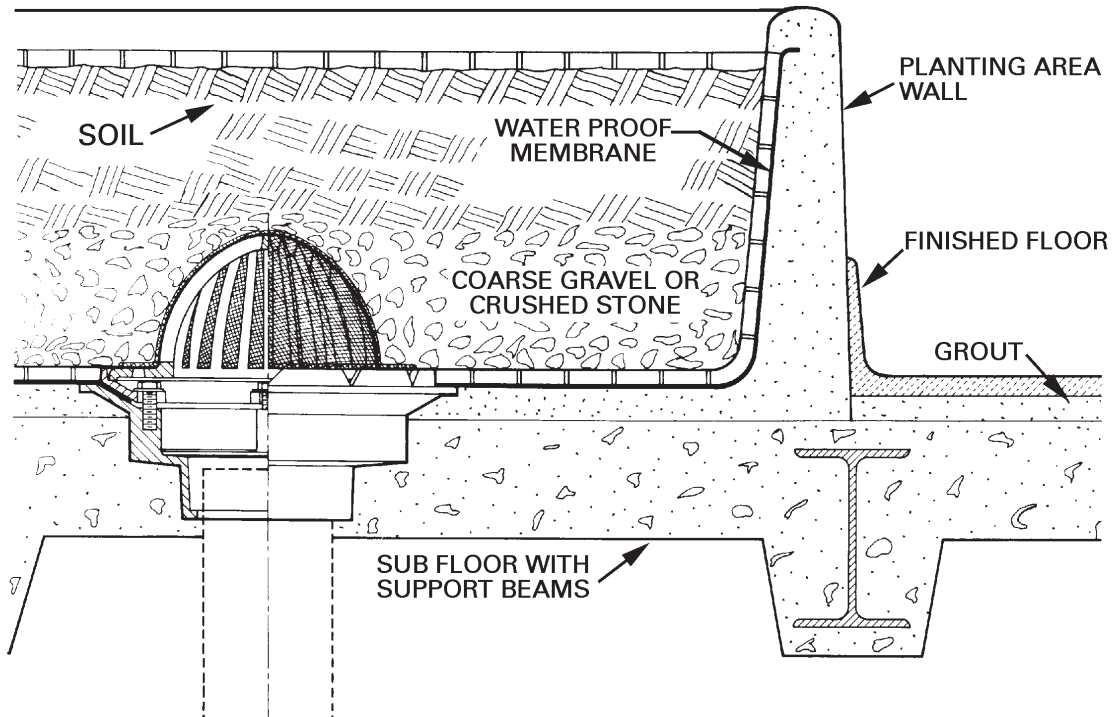
WADE



INSTALLATION INSTRUCTIONS

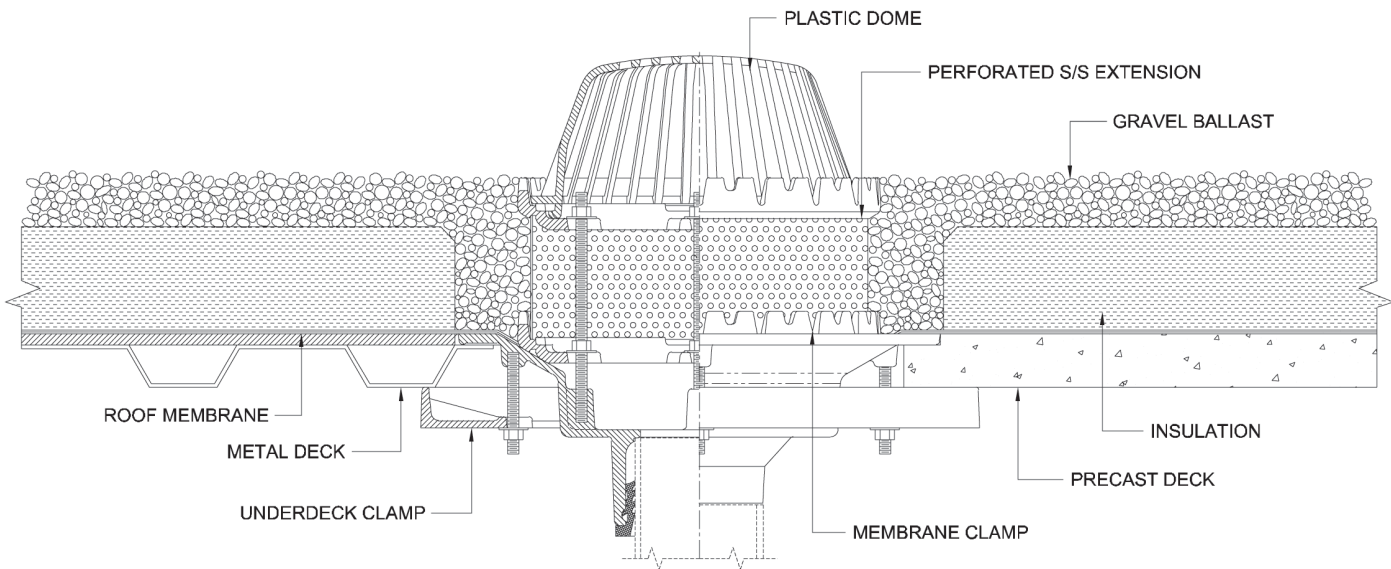
1. CUT OPENING IN DECK TO RECEIVE DRAIN ASSEMBLY
2. FASTEN THREADED ADJUSTABLE HOUSING TO DRAIN BODY WITH (2) 3/8-16 BOLTS & WASHERS.
3. ALIGN DECK RING OVER THE PRE-CUT OPENING IN DECK.
4. SECURE DECK RING WITH DECK SCREWS AT THE SLOT LOCATIONS.
5. INSTALL ADJUSTABLE HOUSING / DRAIN BODY ASSEMBLY INTO DECK RING.
6. ADJUST TO THE DESIRED HEIGHT (INSULATION THICKNESS).
7. INSTALL INSULATION UP TO THE PERIMETER OF THE DRAIN BODY.
8. SECURE WATERPROOFING MEMBRANE TO THE DRAIN BODY WITH FLASHING RING.
9. ATTACH DOME INTO THE FLASHING RING - TWIST LOCK INTO PLACE.
10. APPLY GRAVEL BALLAST AS REQUIRED.

3000AE Roof Drain Installed In Insulated Metal Roof



3220PA Planting Area Drain

WADE



3000-DFS4-53 Roof Drain Installed On IRMA Type Roof