



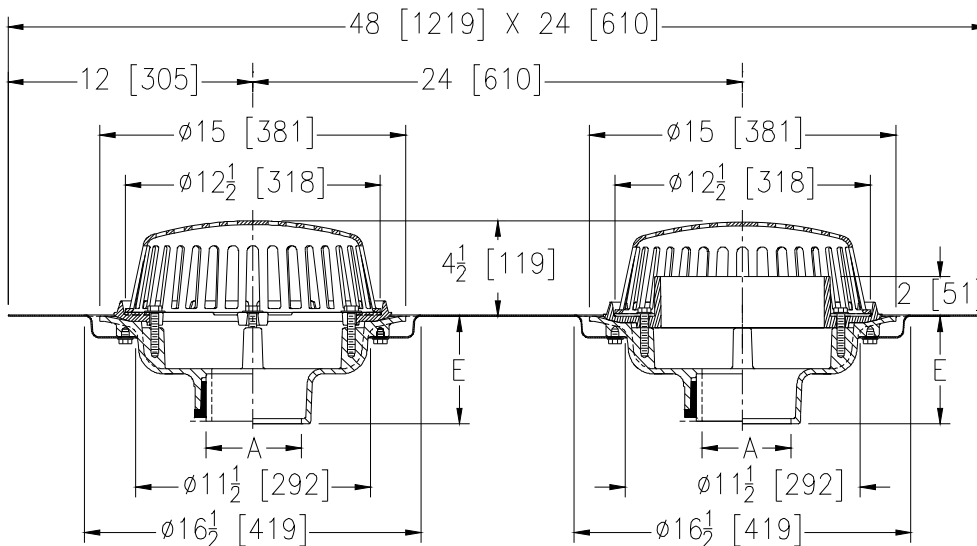
# Z163

15 [381] DIAMETER COMBINATION MAIN ROOF & OVERFLOW DRAIN W/ LOW SILHOUETTE DOMES & DOUBLE TOP-SET® DECK PLATE

SPECIFICATION SHEET

TAG \_\_\_\_\_

Dimensional Data (inches and [ mm ]) are Subject to Manufacturing Tolerances and Change Without Notice



**BUY HERE NOW:** <https://www.bestmaterials.com/detail.aspx?ID=17211>

A - Pipe Size In.[mm]	Approx. Wt. Lbs. [kg]	Dome Open Area Sq. In. [cm <sup>2</sup> ]
2, 3, 4 [51, 76, 102]	73 [33]	103 [665]
6 [152]	74 [34]	
8 [203]	75 [34]	

**ENGINEERING SPECIFICATION: ZURN Z163**

15" [381 mm] Diameter roof drain and overflow drain, Dura-Coated cast iron bodies with combination membrane flashing clamp/gravel guards, double Top-Set® deck plate, and low silhouette Poly-Domes.

**OPTIONS** (Check/specify appropriate options)

**PIPE SIZE**

- 3, 4, 6 [51, 76, 152]
- 2, 3, 4, 6, 8 [51, 76, 102, 152, 203]
- 2, 3, 4, 6, 8 [51, 76, 102, 152, 203]
- 2, 3, 4 [51, 76, 102]

(Specify size/type) **OUTLET**

- \_\_\_\_\_ IC Inside Caulk
- \_\_\_\_\_ IP Threaded
- \_\_\_\_\_ NH No-Hub
- \_\_\_\_\_ NL Neo-Loc

**E BODY HT. DIM.**

- 5-1/4 [133]
- 3-3/4 [95]
- 5-1/4 [133]
- 4-5/8 [117]

**PREFIXES**

- \_\_\_\_\_ Z D.C.C.I. Body with Poly-Dome\*
- \_\_\_\_\_ ZA D.C.C.I. Body with Aluminum Dome
- \_\_\_\_\_ ZC D.C.C.I. Body with Cast Iron Dome

**SUFFIXES**

- |   |   |
|---|---|
| _____ -AR Acid Resistant Epoxy Coated Finish                    | _____ -SS Stainless Steel Mesh Screen Over Dome   |
| _____ -DE Deck Extension  | _____ -TC Neo-Loc Test Cap Gasket                 |
| _____ -DR Top-Set® Drain Riser                                  | (2,3,4 [51,76,102] NL Bottom Outlet Only)         |
| _____ -E Static Extension 1 thru 4 [25 thru 102] (Specify Ht.)  | _____ -VP Vandal Proof Secured Top                |
| _____ -EA Adjustable Extension Assembly                         | _____ -W3 3 [76] Internal Water Dam               |
| 2-1/8 thru 3-1/2 [54 thru 89]                                   | _____ -W4 4 [102] Internal Water Dam              |
| _____ -G Galvanized Cast Iron                                   | _____ -XJ Vertical Expansion Joint (See Z190)     |
| _____ -HD 6-3/4 [171] High Aluminum Dome Strainer               | _____ -84 Stainless Steel Perforated Gravel Guard |
| (148 in <sup>2</sup> [955 cm <sup>2</sup> ] Open Area)(ZA Only) | _____ -85 Stainless Steel Perforated Extension    |
| _____ -SC Secondary Clamping Collar                             | _____ -89 2 [51] High External Water Dam          |
|   | (Replaces Internal Dam)                           |

\* Regularly furnished unless otherwise specified.