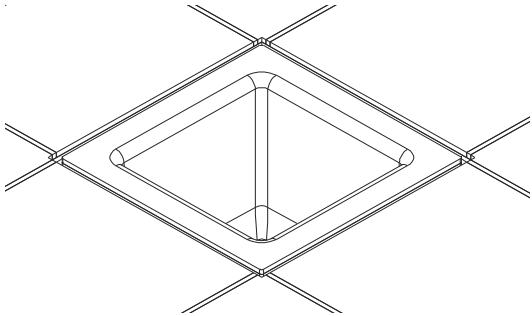


DISTRIBUTED BY

Best MATERIALS.com[®]

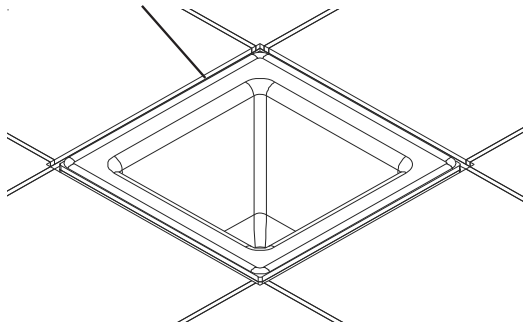


Floor Sink Liner Installation Instructions for
Z1900-RL | Z1901-RL | Z1902-RL | Z1910-RL

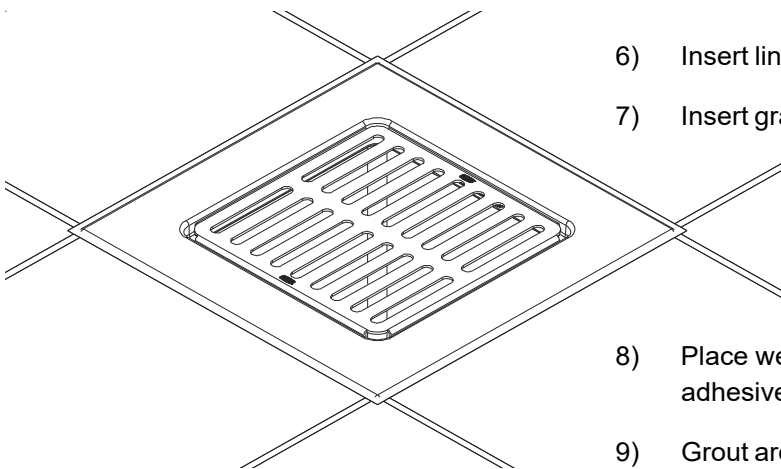


- 1) Remove liner from packaging and confirm outlet diameter with a tape measure.
- 2) Measure top of liner. Cut out grout and/or some surrounding tile from around sink to maintain desired grout line.

Adhesive Sealant



- 3) Clean underside of liner flange, top flange of sink, and surrounding area with an appropriate cleaner (provided by others), removing all dust.
- 4) Apply silicone lubricant (provided by others) to gasket on liner outlet.
- 5) Apply a suitable adhesive (provided by others) to top surface of sink, fully around the outside of the sink flange. Note: adhesive sealant must be approved to bond stainless steel to enamel materials.



- 6) Insert liner into sink.
- 7) Insert grate into liner.

- 8) Place weights on sink until adhesive cures, following adhesive manufacturer's instructions for full cure.
- 9) Grout around liner.