



## Z1902-RL

12 x 12 x 10 [305 x 305 x 254] REPLACEMENT FLOOR SINK LINER

SPECIFICATION SHEET

TAG \_\_\_\_\_

Dimensional Data (inches and [ mm ]) are Subject to Manufacturing Tolerances and Change Without Notice

**Engineering Specification:** ZURN Z1902-RL

12 x 12 x 10 [305 x 305 x 254] deep, 18 gage, all type 304 (CF8) fabricated stainless steel replacement floor sink liner, with internal pipe gasket seal, light-duty slotted, loose set grate and perforated removable dome strainer.

Approx. Wt. Lbs. [kg]	Grate Open Area Sq. In. [cm <sup>2</sup> ]
8 [4]	21.7 [140]

**Options** (Check/specify appropriate options)

**Pipe Size (ØA)**

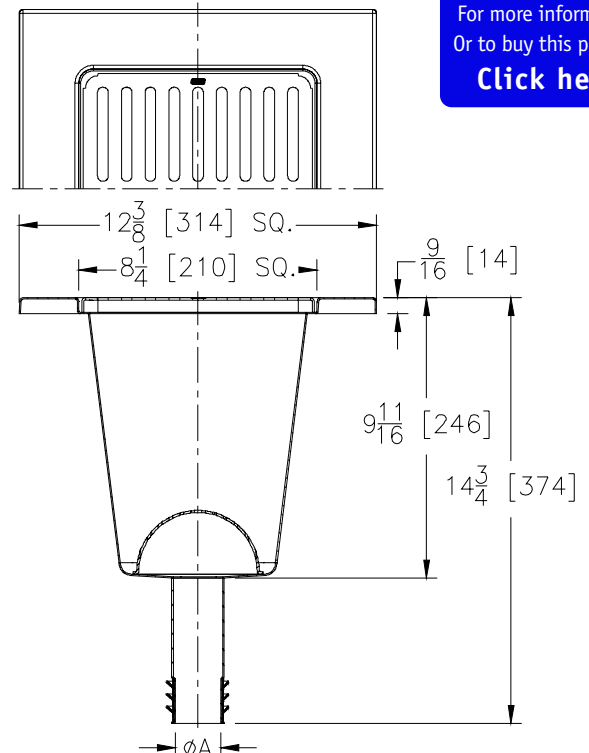
2-3-4 [51-76-102]

**Prefixes**

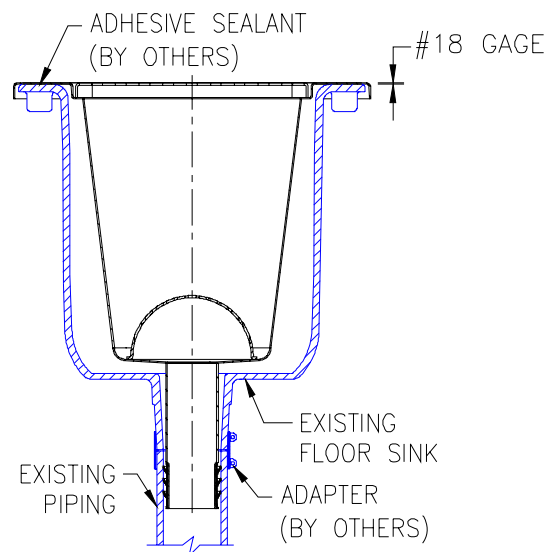
\_\_\_ Z All Type 304 (CF8) Fabricated Stainless Steel\*

**Suffixes**

- \_\_\_ -1 Less Grate
- \_\_\_ -2 1/2 Grate
- \_\_\_ -3 3/4 Grate
- \_\_\_ -Y Sediment Bucket



For more information Or to buy this product [Click here](#)



\* Regularly furnished unless otherwise specified.

Zurn Industries, LLC | Specification Drainage Operation  
 1801 Pittsburgh Avenue, Erie, PA U.S.A. 16502 · Ph. 855-663-9876, Fax 814-454-7929  
 In Canada | Zurn Industries Limited  
 3544 Nashua Drive, Mississauga, Ontario L4V 1L2 · Ph. 905-405-8272, Fax 905-405-1292  
[www.zurn.com](http://www.zurn.com)

Rev. B  
 Date: 10/24/13  
 C.N. No. 130166  
 Prod. | Dwg. No. Z1902-RL