

For more information  
Or to buy this product  
**Click here**



## Retrofit Stainless Steel Floor Sink Liners





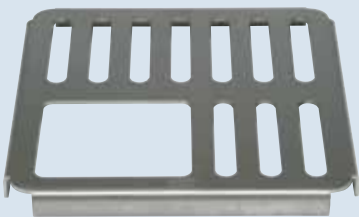
### Features and Benefits

- The Zurn Stainless Steel Floor Sink Liner can provide up to a 50% cost savings
- Eliminate costly reconstruction with simple drop-in design
- Create a sanitary environment with a stainless steel finish
- Diverse grating options to meet various applications

Diverse Grate Options



Full Grate\*



Quarter Grate



Half Grate

\* Standard



Universal Body Design

Durable Push-fit Gasket Connection



Contractor

## Features and Benefits

- Save time over traditional retrofit construction
- Simplify installation and eliminate messy caulking with push-fit gasket
- Universal design fits most floor sinks
- Connects easily to common piping styles



Secure Lock-In Edge

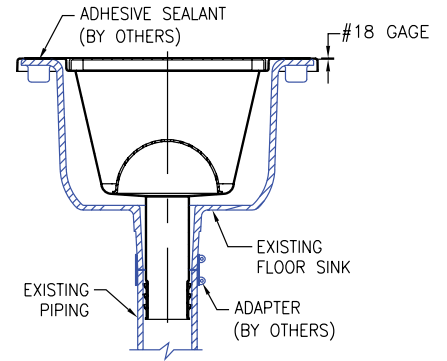
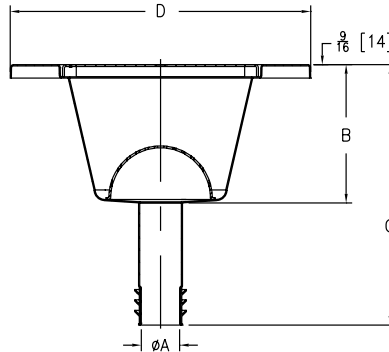
Standard Dome Strainer

Versatile  
Outlet Sizes



# Retrofit Stainless Steel Floor Sink Liners

Z1900-RL, Z1901-RL, Z1902-RL, Z1910-RL



Product Number	Dimensions in Inches					
	A Pipe Size [mm]	B [mm]	C [mm]	D [mm]	Approx. Weight Lbs. [kg]	Grate Open Area Sq. In. [cm <sup>2</sup> ]
Z1900-RL	2-3-4 [51-76-102]	5-11/16 [145]	10-3/4 [272]	12-3/8 [314]	6 [3]	21.7 [140]
Z1901-RL	2-3-4 [51-76-102]	7-11/16 [195]	12-3/4 [323]	12-3/8 [314]	7 [3]	21.7 [140]
Z1902-RL	2-3-4 [51-76-102]	9-11/16 [246]	14-3/4 [374]	12-3/8 [314]	8 [4]	21.7 [140]
Z1910-RL	2-3-4 [51-76-102]	5-15/16 [151]	10-15/16 [278]	8-3/8 [213]	5 [2]	12.2 [79]

## ENGINEERING SPECIFICATIONS:

ZURN Z1900 Series, 18 gage, all type 304 (CF8) fabricated stainless steel replacement floor sink liner, with internal pipe gasket seal, light-duty slotted, loose set grate, and perforated removable dome strainer.

## PREFIXES

-Z All Type 304 (CF8) Fabricated Stainless Steel\*

## SUFFIXES

- 2 1/2 Grate
- 3 3/4 Grate
- Y Sediment Bucket

## INSTALLATION:



Rusted floor sink



Remove edge



Insert stainless steel liner



Complete installation