



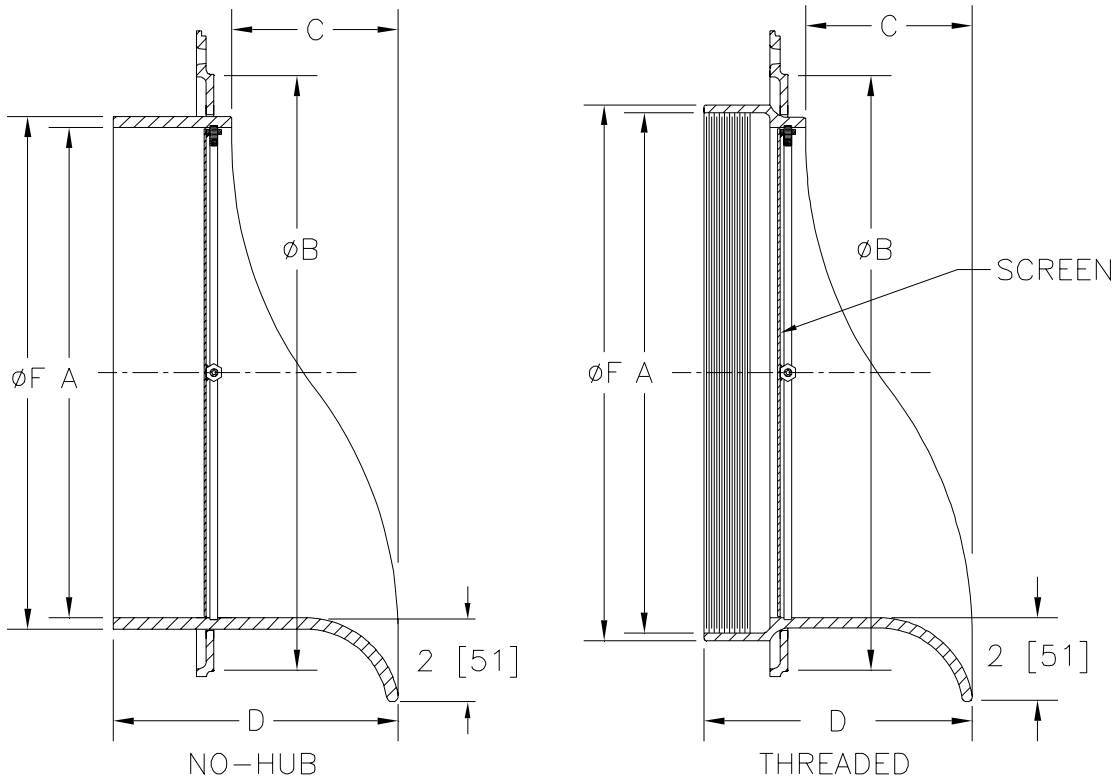
Z199-SS

DOWNSPOUT NOZZLE w/ REMOVABLE S.S. SCREEN

Distributed by: BEST MATERIALS®
 Ph: 800-474-7570, 602-272-8128
 www.BestMaterials.com
 Email: Sales@BestMaterials.com

SPECIFICATION SHEET

Dimensional Data (inches and [mm]) are Subject to Manufacturing Tolerances and Change Without Notice



A Pipe Size	Dimensions in inches						Approx. Wt. Lbs. [kg]
	B	C	D		F		
			IP	NH	IP	NH	
2 [51]	4 1/2 [114]	2 5/8 [67]	4 1/2 [114]	4 1/2 [114]	2 13/16 [71]	2 3/8 [60]	5 [2]
3 [76]	5 1/2 [140]	2 5/8 [67]	4 1/2 [114]	4 1/2 [114]	3 15/16 [100]	3 3/8 [86]	6 [3]
4 [102]	6 5/8 [102]	2 43/64 [69]	4 1/2 [114]	4 1/2 [114]	4 15/16 [125]	4 3/8 [121]	7 [3]
5 [127]	7 5/8 [194]	3 1/16 [78]	4 59/64 [125]	5 15/32 [139]	6 1/16 [154]	5 5/16 [135]	12 [5]
6 [152]	8 5/8 [219]	3 3/32 [79]	4 59/64 [125]	5 15/32 [139]	7 1/8 [181]	6 5/16 [160]	13 [6]
8 [203]	10 5/8 [270]	2 31/32 [75]	4 59/64 [125]	5 25/32 [147]	9 1/8 [232]	8 3/8 [213]	14 [6]
10 [254]	12 5/8 [321]	3 1/2 [89]	5 53/64 [148]	6 5/16 [160]	11 5/32 [283]	10 9/16 [268]	15 [7]
12 [305]	14 5/8 [371]	4 5/64 [104]	6 13/32 [163]	6 57/64 [175]	13 5/32 [334]	12 1/2 [318]	18 [8]

ENGINEERING SPECIFICATION: ZURNZANB199-SS

Downspout Nozzle, All nickel bronze body, optional threaded or No-Hub inlet and decorative face of wall flange and outlet nozzle, with removable stainless steel screen.

OPTIONS (Check/specify appropriate options)

PIPE SIZE

2 thru 6, 8, 10, 12 [51 thru 152, 203, 254, 305]
 2 thru 6, 8, 10, 12 [51 thru 152, 203, 254, 305]

(Specify size/type) **OUTLET**

___ IP Threaded
 ___ NH No-Hub

PREFIXES

___ ZANB All Nickel Bronze Body*
 ___ ZAB All Polished Bronze Body
 ___ ZARB All Plain Bronze Body

SUFFIXES

___ -PVC PVC Connection

*REGULARLY FURNISHED UNLESS OTHERWISE SPECIFIED

REV. C DATE: 05/10/10 C.N. NO. 111097

DWG. NO. 65960

PRODUCT NO. Z199-SS

ZURN INDUSTRIES, LLC. ♦ SPECIFICATION DRAINAGE OPERATION ♦ 1801 Pittsburgh Ave. ♦ Erie, PA 16514

PRODUCT ORDERING LNIK:

<http://www.bestmaterials.com/SearchResult.aspx?KeyWords=Drain-Z199>