



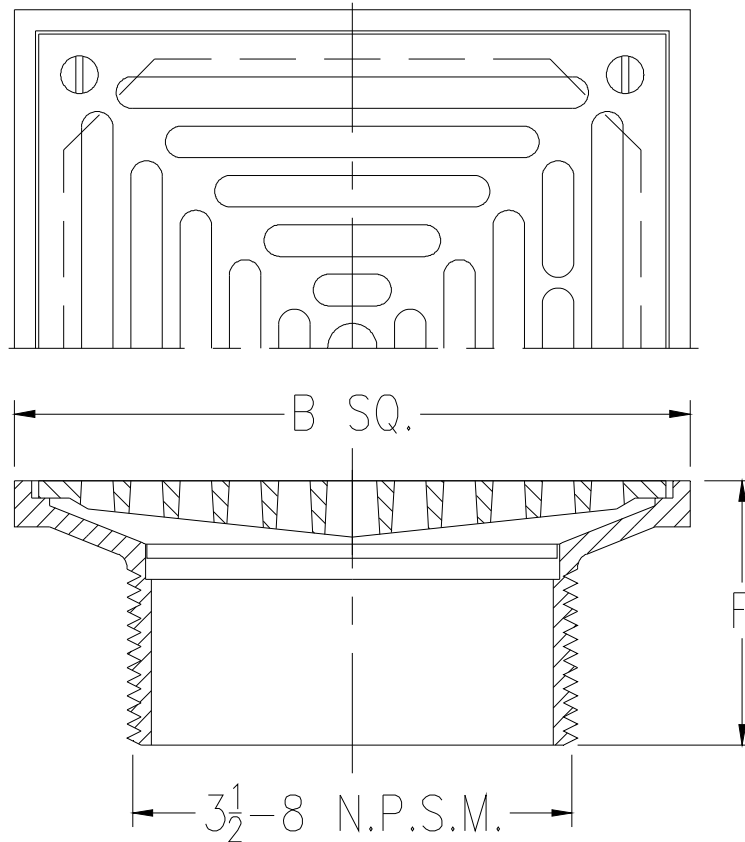
ZS400SS

SQUARE "TYPE SS" STRAINER

SPECIFICATION SHEET

TAG _____

Dimensional Data (inches and [mm]) are Subject to Manufacturing Tolerances and Change Without Notice



Strainer Designation	Dimension in Inches		Approx. Wt. Lbs. [kg]	Open Area Sq. In. [cm ²]
	Size B	Height F		
-5SS	5 X 5 [127 X 127]	2 [51]	2-1/2 [1]	8-1/2 [55]
-6SS	6 X 6 [152 X 152]	2-1/4 [57]	3-1/2 [2]	13 [84]
-8SS	8 X 8 [203 X 203]		6-1/2 [3]	24-1/2 [158]

ENGINEERING SPECIFICATION: ZURN ZS400SS

"TYPE SS" square adjustable strainer top with heel-proof medium-duty grate.

OPTIONS (Check/specify appropriate options)

PREFIXES

- ___ ZS Type 304 (CF8) Stainless Steel Top*
- ___ ZM Type 316 (CF8M) Stainless Steel Top
- ___ ZL Type 316 (CF3M) Stainless Steel Top

SUFFIXES

- ___ -GS Grid Strainer (For 6SS, Foot Traffic Light-Duty Only)
- ___ -VP Vandal-Proof Secured Top
- ___ -Y Stainless Steel Sediment Bucket

*REGULARLY FURNISHED UNLESS OTHERWISE SPECIFIED

REV. E	DATE: 2/11/11	C.N. NO. 120858
DWG. NO. 67225	PRODUCT NO. ZS400SS	

ZURN INDUSTRIES, LLC ♦ SPECIFICATION DRAINAGE OPERATION ♦ 1801 Pittsburgh Ave. ♦ Erie, PA 16514

Distributed by: **BEST MATERIALS®** Ph: 800-474-7570, 602-272-8128
www.BestMaterials.com Email: Sales@BestMaterials.com