



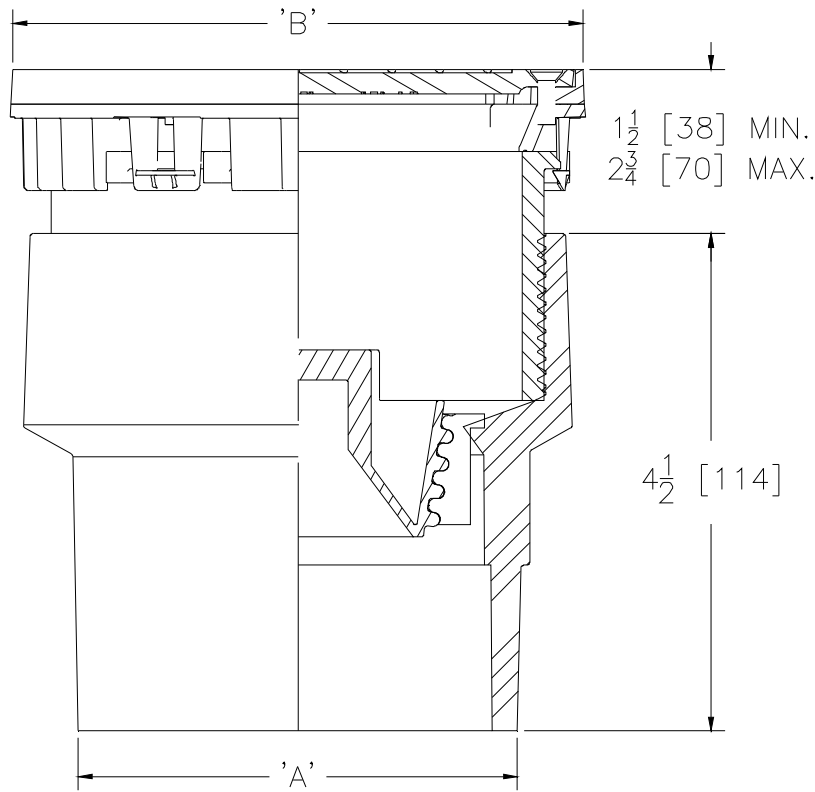
**CO**

3 [76] x 4 [102] Adjustable Finished Area Cleanout

**SPECIFICATION SHEET**

TAG \_\_\_\_\_

Dimensional Data (inches and [ mm ]) are Subject to Manufacturing Tolerances and Change Without Notice



Dimensions in Inches [mm]				Approx. Wt. Lbs [kg]	Strainer Type
Product Number		A	B		
PVC Body	ABS Body	Pipe Size	Strainer Size		
CO-PV3	CO-AB3	3-4 [76-102]	5-3/16 [132]	5 [2]	Nickel Bronze Round
CO-PV3-R6	CO-AB3-R6	3-4 [76-102]	6 [152]	6 [3]	Nickel Bronze Round
CO-PV3-ST	CO-AB3-ST	3-4 [76-102]	5-3/16 [132]	5 [2]	Nickel Bronze Square
CO-PV3-S6	CO-AB3-S6	3-4 [76-102]	6 [152]	6 [3]	Nickel Bronze Square
CO-PV3-SS	CO-AB3-SS	3-4 [76-102]	5-3/16 [132]	5 [2]	Stainless Steel Round
CO-PV3-R6-SS	CO-AB3-R6-SS	3-4 [76-102]	6 [152]	6 [3]	Stainless Steel Round
CO-PV3-ST-SS	CO-AB3-ST-SS	3-4 [76-102]	5-3/16 [132]	5 [2]	Stainless Steel Square
CO-PV3-S6-SS	CO-AB3-S6-SS	3-4 [76-102]	6 [152]	6 [3]	Stainless Steel Square
CO-PV3-DI	CO-AB3-DI	3-4 [76-102]	5-3/16 [132]	5 [2]	Ductile Iron Round

**ENGINEERING SPECIFICATION:**

Zurn CO adjustable floor cleanout, PVC or ABS 3 [76] x 4 [102] solvent weld body with bottom outlet, cleanout plug, and square or round light duty strainer in nickel bronze or stainless steel.

**SUFFIXES**

- \_\_\_ -CM Carpet Marker
- \_\_\_ -VP Vandal Proof