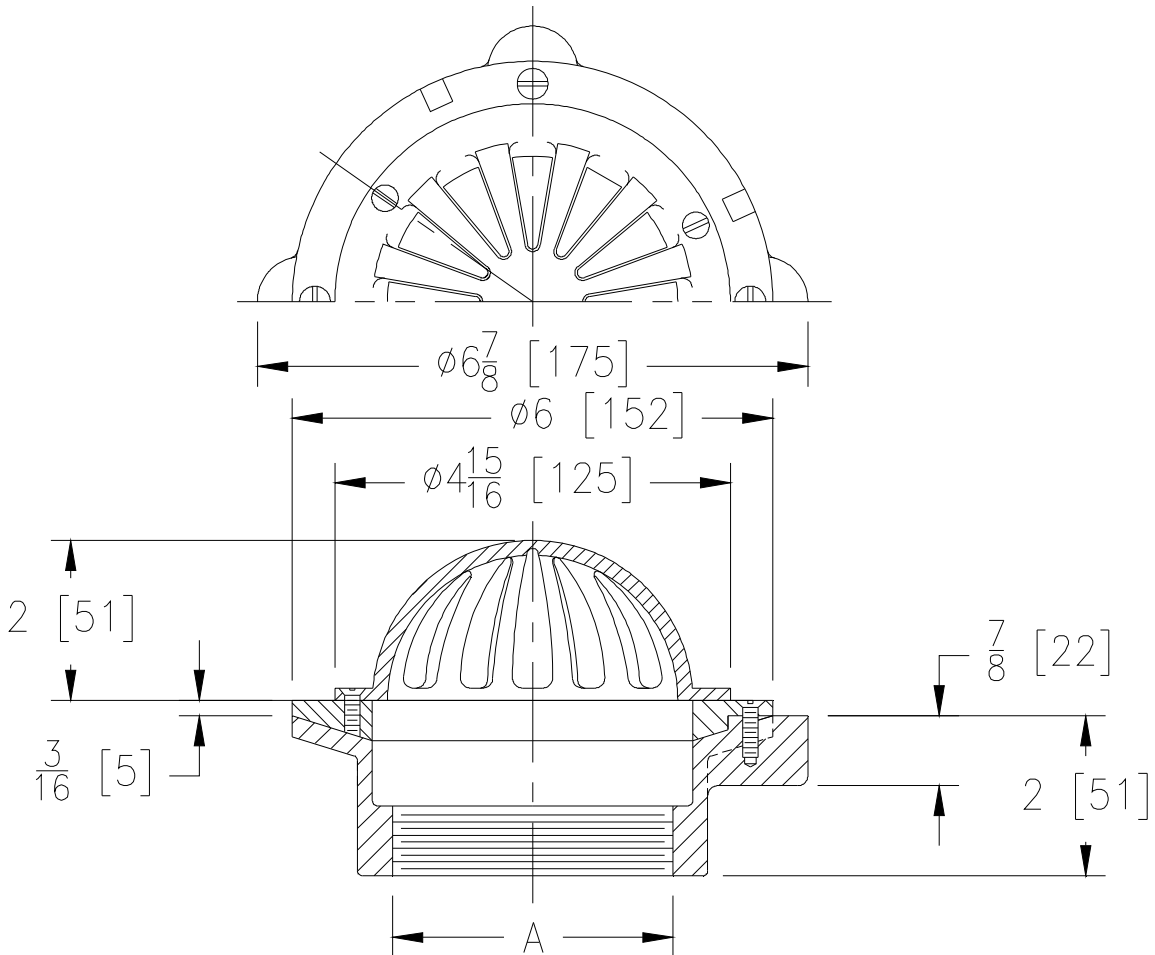




**Z181**  
**6 [152] DIAMETER CORNICE DRAIN**  
**BOTTOM OUTLET**

Dimensional Data (inches and [mm]) are Subject to Manufacturing Tolerances and Changes Without Notice



A- Pipe Size In.	Approx. Wt. Lbs. [kg]	Dome Open Area Sq. In. [cm <sup>2</sup> ]
3 [76]	6 [3]	12 [72]
4 [102]	7 [4]	

**ENGINEERING SPECIFICATION:** ZURN ZRB181  
 6 [152] Diameter by 2 [51] High Cornice drain, Dura-Coated cast iron body, plain bronze dome and membrane flashing clamp.

**OPTIONS** (Check/specify appropriate options)

**PIPE SIZE**

(Specify size/type) **OUTLET**

3, 4 [76, 102]  
 3, 4 [76, 102]

\_\_\_ IP Threaded  
 \_\_\_ NH No-Hub (IP w/ Z1040)

**PREFIXES**

- \_\_\_ ZRB D.C.C.I. Body with Plain Bronze Dome\*
- \_\_\_ ZB D.C.C.I. Body with Polished Bronze Dome
- \_\_\_ ZN D.C.C.I. Body with Polished Nickel Bronze Dome

**SUFFIXES**

- \_\_\_ -BS Bronze Mesh Screen Over Dome
- \_\_\_ -C Underdeck Clamp
- \_\_\_ -FS Flat Strainer (ZB or ZN)
- \_\_\_ -G Galvanized Cast Iron
- \_\_\_ -HD 5-3/4 [146] High Dome
- \_\_\_ -R Roof Sump Receiver
- \_\_\_ -SS Stainless Steel Mesh Screen Over Dome
- \_\_\_ -VP Vandal-Proof Secured Top
- \_\_\_ -8 With 8 [203] High Body

<b>REV. G</b>	<b>DATE: 06/23/11</b>	<b>C.N. NO. 121478</b>
<b>DWG. NO. 58829</b>	<b>PRODUCT NO. Z181</b>	

\*REGULARLY FURNISHED UNLESS OTHERWISE SPECIFIED