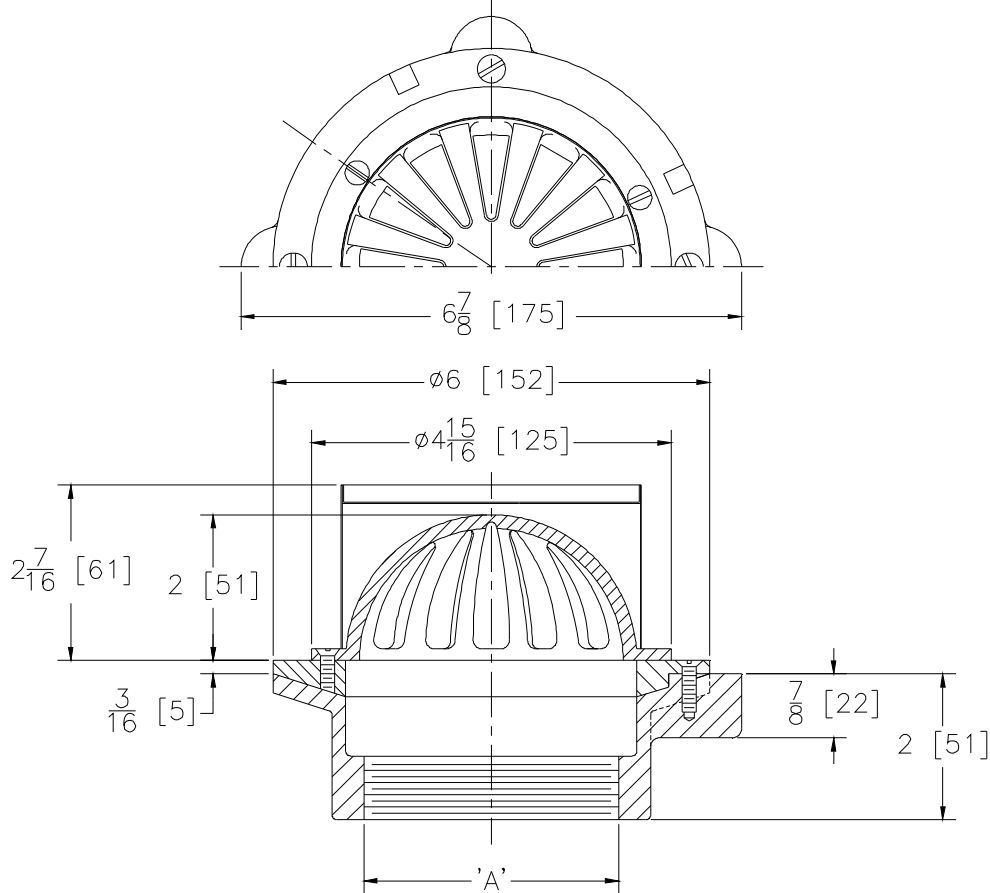




Z352
SMALL AREA PLANTING DRAIN

TAG _____

Dimensional Data (inches and [mm]) are Subject to Manufacturing Tolerances and Change Without Notice



A-Pipe Size Inches	Approx. Wt. Lbs. [kg]	Dome Open Area Sq. In. [cm ²]
3 [76]	4 [2]	12 [77]
4 [102]	6 [3]	12 [77]

ENGINEERING SPECIFICATION: ZURN ZRB352

6 [152] Diameter Small Area Planting Drain, Dura-Coated cast iron body with bottom outlet, plain bronze membrane flashing clamp and dome strainer with stainless steel mesh screen over dome.

OPTIONS (Check/specify appropriate options)

PIPE SIZE

3-4 [76-102]

(Specify size/type) **OUTLET**

_____ IP Threaded

PREFIXES

_____ ZRB D.C.C.I. Body w/ Bronze Dome and Stainless Steel Mesh Screen*

SUFFIXES

- _____ -G Galvanized Cast Iron
- _____ -VP Vandal-Proof Secured Top
- _____ -45 45° Side Outlet
- _____ -90 90° Side Outlet

*REGULARLY FURNISHED UNLESS OTHERWISE SPECIFIED

REV. E	DATE: 06/24/11	C.N. NO. 121477
DWG. NO. 58982	PRODUCT NO. Z352	