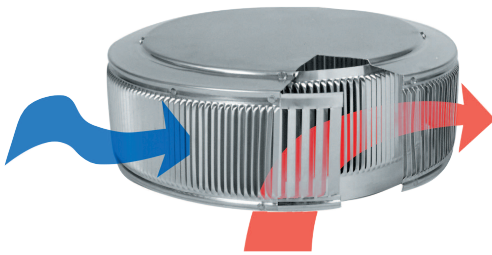


THE AURA FAN VENTILATOR

An Attic Fan / Roof Exhaust Fan Designed for Energy Savings

The **AURA VENTILATOR**,
uses wind to create an exhaust.



By adding the **FAN**,
we guarantee
additional CFM



The **AURA FAN VENTILATOR**
the ultimate in
Energy Efficiency!



Performance testing with Fan turned ON:

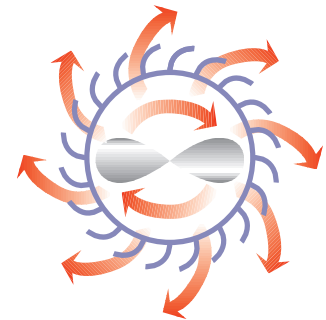
	AF-6	AF-8	AF-12	AF-14	AF-16	AF-18	AF-24
CFM¹	120	210	800	1000	1800	2200	4000
HP²	1/55	1/25	1/15	1/15	1/3	1/2	3/4
AMPS	.90	2.5	2.3	2.3	4.1	5.5	10.5

CFM Performance testing with Fan turned OFF:³

Wind	AF-6	AF-8	AF-12	AF-14	AF-16	AF-18	AF-24
4	41	80	120	178	246	313	558
5.2	62	98	135	200	276	352	572
7.4	80	145	227	280	387	493	877
9.8	122	165	270	315	435	554	987
11	126	185	310	360	497	634	1,128

*The electric motor's efficiency is
enhanced by its Aura engineering:*

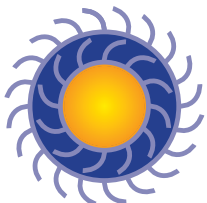
*Air is centrifugally pushed through
the louvers directly outside to
reduce back-pressure and
increase CFM*



¹Approx. ²Other motor configurations available ³Data from tests of Aura Ventilator

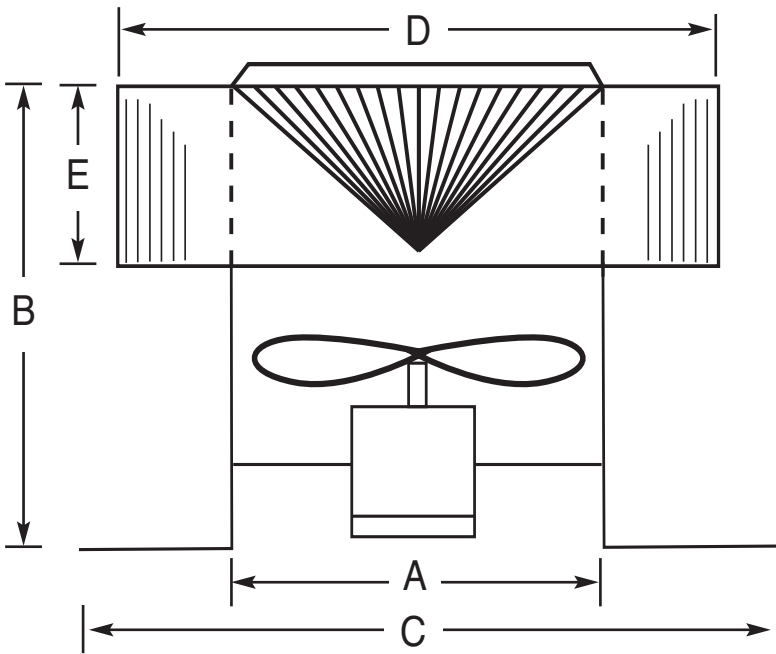
EXHAUSTS CONTINUOUSLY whether the fan is **ON** or **OFF**. When the fan is off, outside air moving against the Aura's louvers causes the Venturi effect, thereby creating an exhaust. This exhaust is created without the use of electricity or moving parts. On the days when the fan is not needed, the Aura Vent will still operate passively; this increases the life of the motor since it is not in constant use. The Aura Fan Ventilator reduces energy consumption.

ACTIVE VENTILATION PRODUCTS, INC.



Distributed by: **BEST MATERIALS® LLC**
Ph: 800-474-7570, 602-272-8128 Fax: 602-272-8014
www.BestMaterials.com Email: Sales@BestMaterials.com

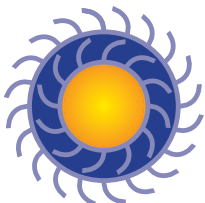
Cone reduces resistance by directing air



- Engineered to provide the most CFM with the least amount of electricity
- Exhausts air continuously even when the motor is off
- Aerodynamic internal cone to guide exhaust
- Timer and thermostat are optional
- Negligible roof loading
- Adaptable with all types of roofs (no curb required)
- The Aura Vent is an all aluminum construction
- Can be cleaned and serviced in minutes

DIMENSIONS & SPECIFICATIONS

	AF-6	AF-8	AF-12	AF-14	AF-16	AF-18	AF-24
A Diameter	6	8	12	14	16	18	24
B Total Height Including Collar	12	12	12	12	12	14	16
C Square Flange L & W	12	13	18	19	22	24	30
D Outside Diam.	9	11	16	18	20	23	29
E Height of Head	6	6	6	6	6	7	9
Free Air Space	28	50	113	144	200	254	452
Max Pitch Cap	5/12	6/12	7/12	6/12	5/12	5/12	4/12
Weight (lbs.)	3	4	12	13	20	25	30
Approx. CFM	120	210	800	1,000	1,800	2,200	4,000
MOTOR SPECIFICATIONS: <i>Motors listed here are 115 volts. Other motor options are available.</i>							
HP	1/55	1/25	1/15	1/15	1/2	1/2	3/4
Amps (Max. Capacity)	.90	2.5	2.3	2.3	5.5	5.5	10.5
RPM	2,600	3,000	1,500	1,500	1,140	1,140	1,075
Motor Type	3	3	1	1	1	1	2
<i>1=Totally enclosed • Air-over 2=Open ventilation • Air-over 3=C-Frame • Shaded Pole Motors</i>							
PROPELLER SPECIFICATIONS:							
Diameter	5"	7"	10"	12"	14"	16"	22"
No. of Blades:	5	5	4	4	4	5	5
<i>Also available in 10", 36", 42" & 48"</i>							



Distributed by: **BEST MATERIALS ® LLC**
 Ph: 800-474-7570, 602-272-8128 Fax: 602-272-8014
www.BestMaterials.com Email: Sales@BestMaterials.com