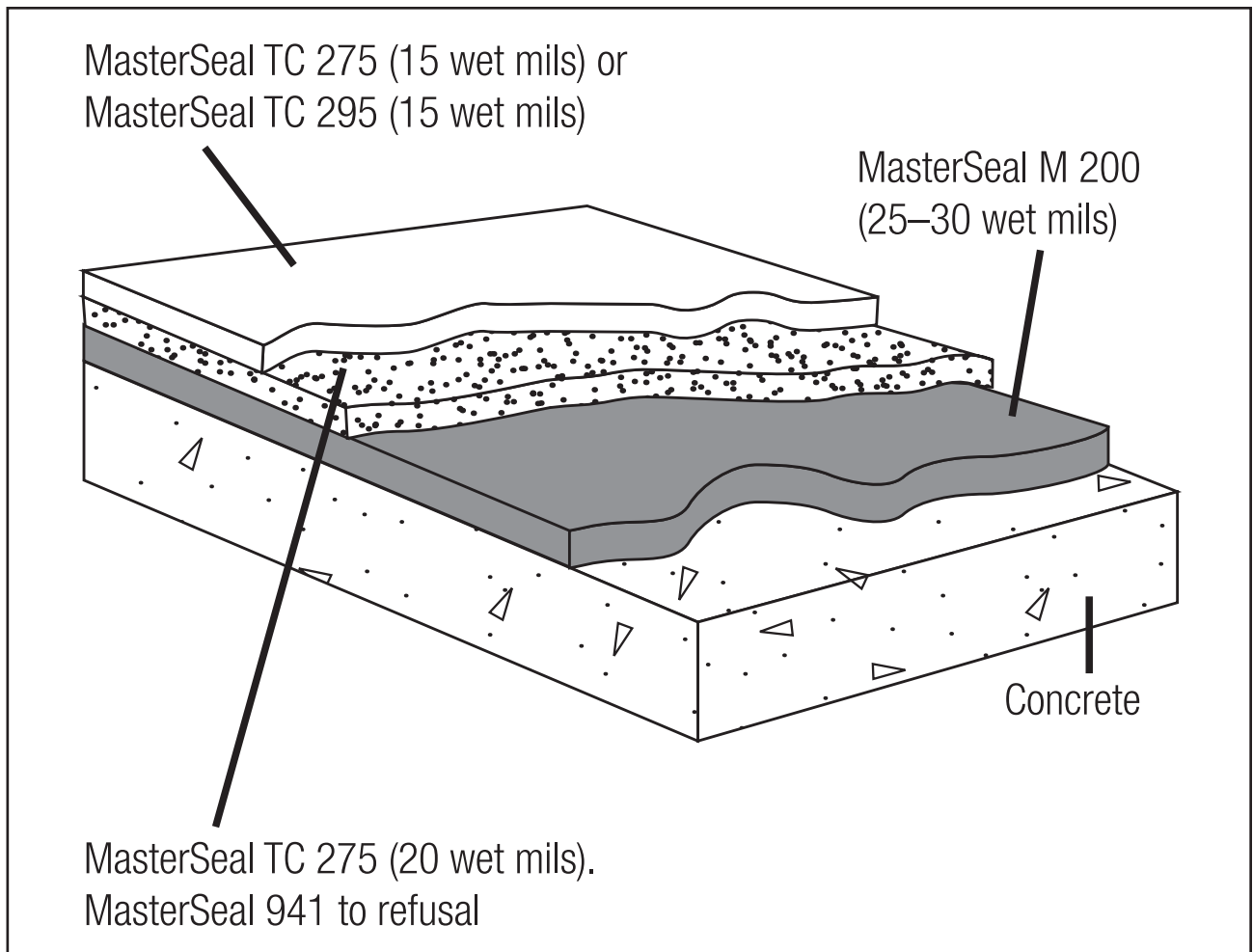


Extra Heavy-Duty Traffic System

Aggregate to Refusal Method



BASF Corporation
Construction Systems
889 Valley Park Drive
Shakopee, MN 55379 USA

master-builders-solutions.basf.us
Customer Service 1(800)433.9517
Technical Service 1(800)243.6739

MASTER®
» BUILDERS
SOLUTIONS